

Applications

- GSM / EDGE / WCDMA / LTE
- PB WCDMA + QB EDGE
- HSDPA / HSUPA / HSPA+
- LTE / EVDO Rev. A & B



42-pin 5 x 7 mm Package

Product Features

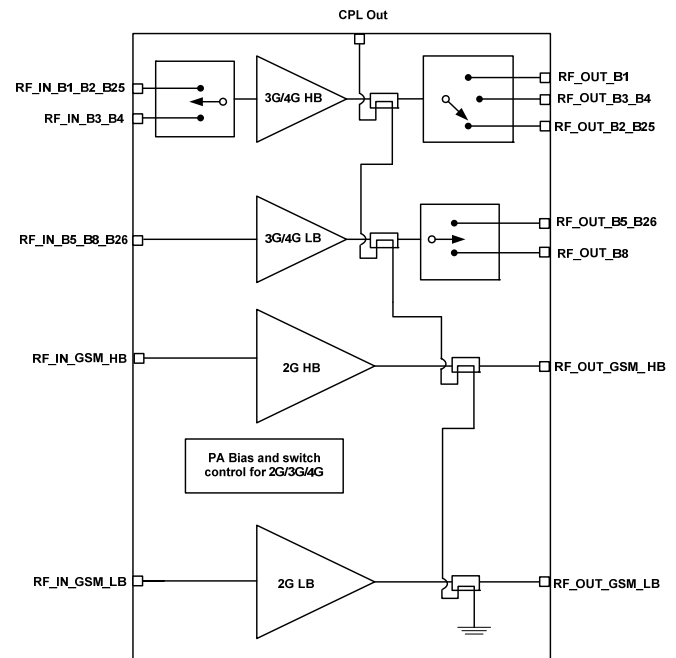
- Quad-Band Linear GSM / EDGE
- UMTS B1, 2/25, 3/4 and B5/26, 8
- V_{RAMP} Controlled Output Power – GMSK
- V_{RAMP} Optimized Bias in 8-PSK for Linearity and Current Consumption
- Two W/CDMA Modes – HPM & LPM
- HBT / CuFlip® PA Technology
- Integrated Coupler And Band Distribution Switches
- Built-in Voltage Regulator
- 50Ω Input and Output Impedance
- Lead-free 260°C / RoHS / Halogen-free
- 42 Pin 5x7x1.0 mm Package

General Description

The TQP9058H is a fully matched multimode multiband Power Amplifier Module that supports Quad-band GSM/EDGE, W/CDMA & LTE Bands 1, 2/25, 3/4, 5/26 & 8. The GSM PA output power is controlled by the V_{RAMP} coming from the transceiver in GMSK modes. In 8-PSK modes, V_{RAMP} is used to optimize current consumption and linearity. The 2-Gain state WCDMA PA operates in LPM and HPM to maximize talk time over the entire range of operating conditions. It also includes a coupler and built-in regulator, ideal for today's extremely small data enabled phones.

The TQP9058H is designed on TriQuint's GaAs HBT technology with CuFlip® assembly offering state of the art reliability, temperature stability and ruggedness. RF performance meets the stringent linearity requirements for multi-mode operation.

Functional Block Diagram



Ordering Information

Part No.	Description
TQP9058H	Multimode Multiband Power Amplifier Module
Standard T/R size = 2500 pieces on a 7" reel	