

10.0-18.0 GHz GaAs MMIC Transmitter

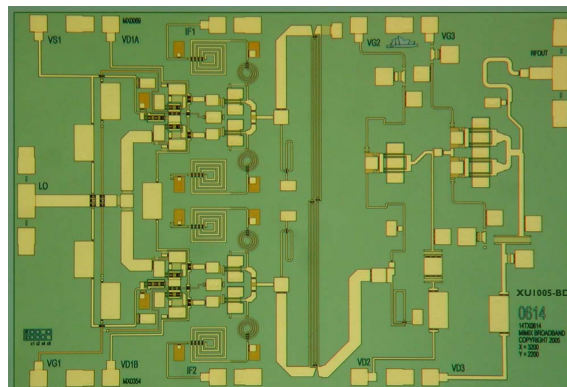
Features

- X Integrated Mixer, LO Buffer and Output Amplifier
- X 8 dB Conversion Gain
- X 15 dB Image Rejection
- X +17 dBm OIP3
- X +6 dBm LO Drive Level
- X -12 dBm LO Leakage Power
- X 100% On-Wafer RF and DC Testing
- X 100% Visual Inspection to MIL-STD-883 Method 2010

General Description

Mimix Broadband's 10.0-18.0 GHz GaAs MMIC transmitter provides +17 dBm output third order intercept and 15 dB image rejection across the band. This device is an image reject, balanced mixer followed by a two stage output amplifier. The image reject mixer reduces the need for unwanted sideband filtering before the power amplifier. I and Q mixer inputs are provided and an external 90 degree hybrid is required to select the desired sideband. This MMIC uses Mimix Broadband's GaAs PHEMT device model technology, and is based upon electron beam lithography to ensure high repeatability and uniformity. The chip has surface passivation to protect and provide a rugged part with backside via holes and gold metallization to allow either a conductive epoxy or eutectic solder die attach process. This device is well suited for Millimeter-wave Point-to-Point Radio, LMDS, SATCOM and VSAT applications.

Chip Device Layout



Absolute Maximum Ratings

Supply Voltage (Vd)	+6.0 VDC
Supply Current (Id1,2,3)	250,150,250 mA
Gate Bias Voltage (Vg)	+0.3 VDC
Input Power (IF Pin)	0.0 dBm
Storage Temperature (Tstg)	-65 to +165 °C
Operating Temperature (Ta)	-55 to MTTF Table 1
Channel Temperature (Tch)	MTTF Table 1

(1) Channel temperature affects a device's MTTF. It is recommended to keep channel temperature as low as possible for maximum life.

Electrical Characteristics (Ambient Temperature T = 25° C)

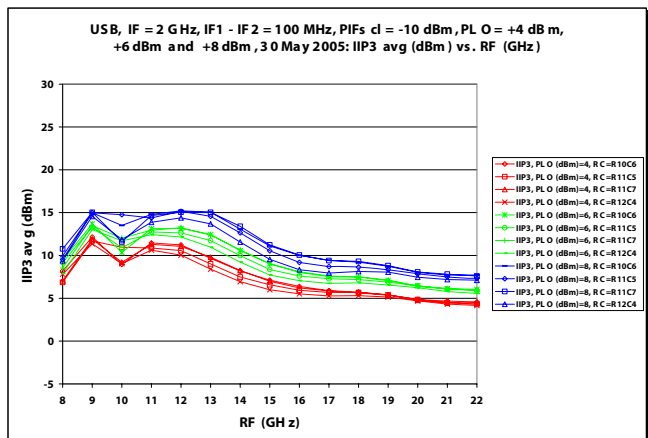
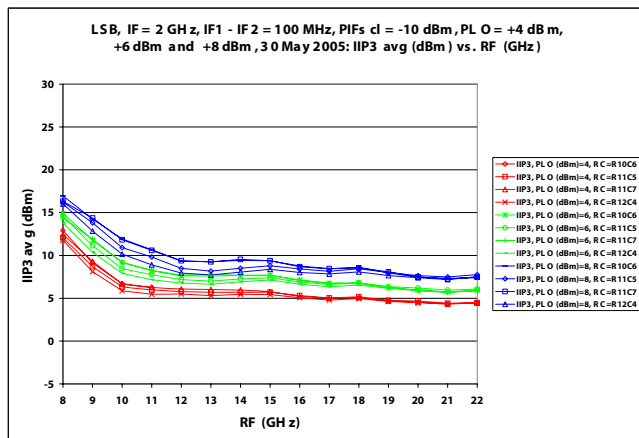
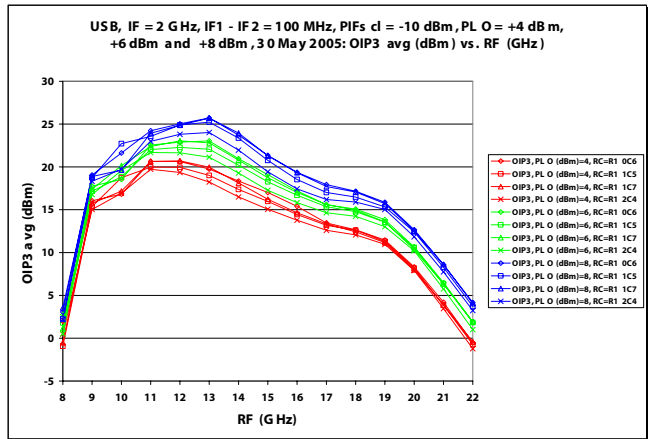
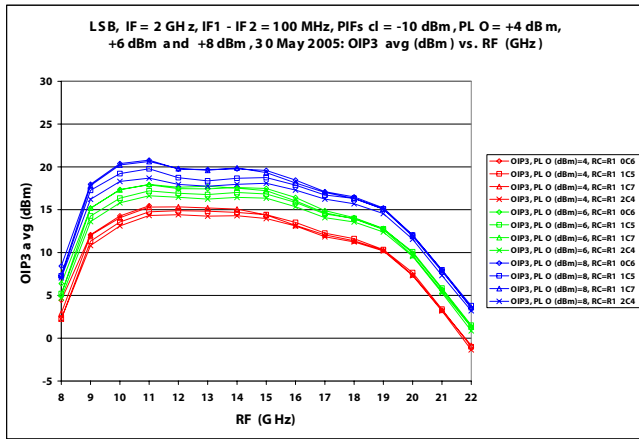
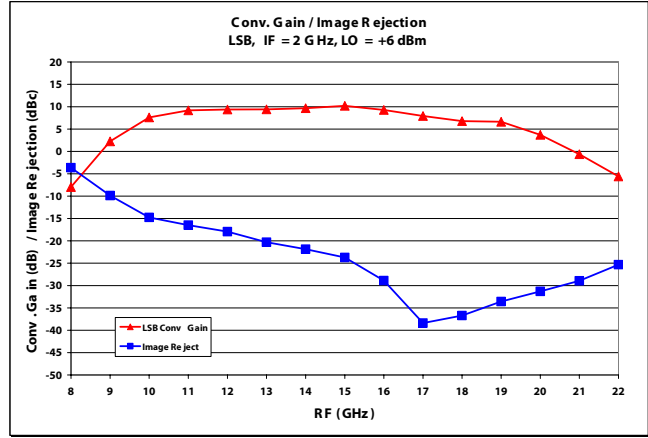
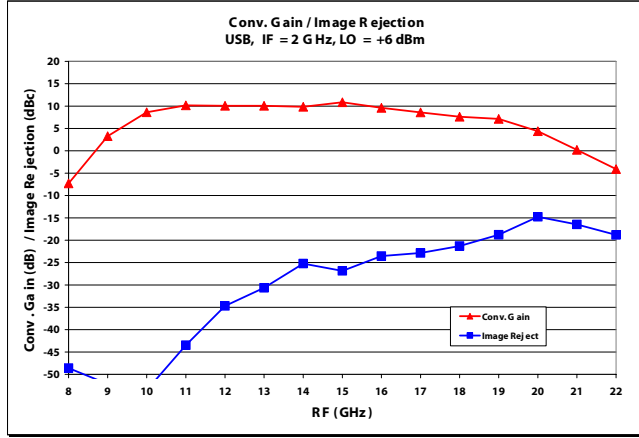
Parameter	Units	Min.	Typ.	Max.
Frequency Range (RF) Upper Side Band	GHz	10.0	-	18.0
Frequency Range (LO)	GHz	7.0	-	21.0
Frequency Range (IF)	GHz	DC	-	3.0
Output Return Loss RF (S22)	dB	-	18.0	-
Small Signal Conversion Gain IF/RF (S21)	dB	-	9.0	-
LO Input Drive (P _{LO})	dBm	-	+6.0	-
Isolation LO/RF	dB	-	18.0	-
Output Third Order Intercept (OIP3)	dBm	-	+17.0	-
Drain Bias Voltage (Vd1,2,3)	VDC	-	+5.0	+5.5
Source Bias Voltage (Vs1)	VDC	-	-5.0	-
Gate Bias Voltage (Vg1), Mixer	VDC	-	-0.6	-
Gate Bias Voltage (Vg2,3)	VDC	-1.2	-0.1	+0.1
Supply Current (Id1) (Vd1=5.0V)	mA	-	140	200
Supply Current (Id2) (Vd2=5.0V, Vg=-0.1V Typical)	mA	-	70	100
Supply Current (Id3) (Vd3=5.0V, Vg=-0.1V Typical)	mA	-	140	200
Supply Current (Iss) (Vss=-5.0V)	mA	-	140	200

10.0-18.0 GHz GaAs MMIC Transmitter

March 2007 - Rev 01-Mar-07

X UI005-BD

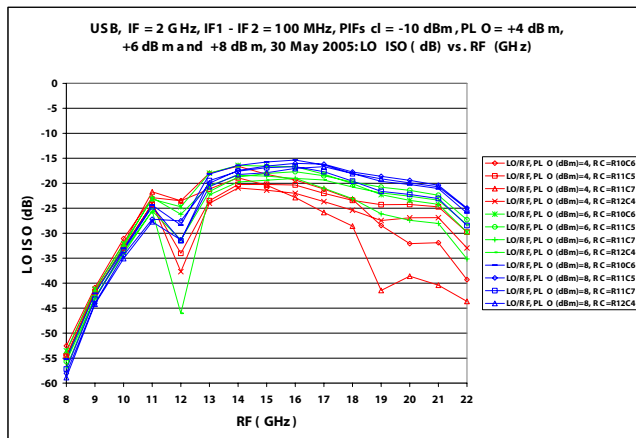
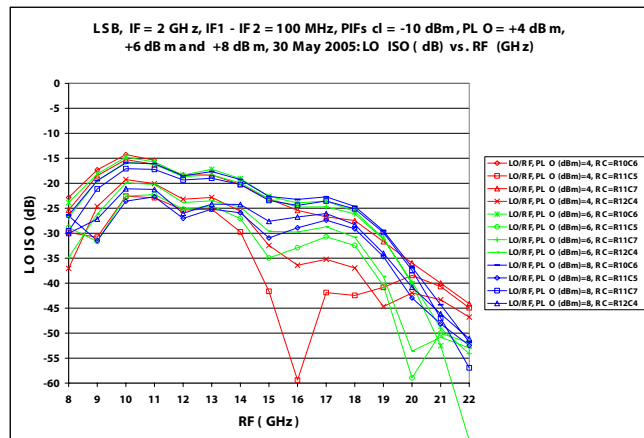
Transmitter Measurements



10.0-18.0 GHz GaAs MMIC Transmitter

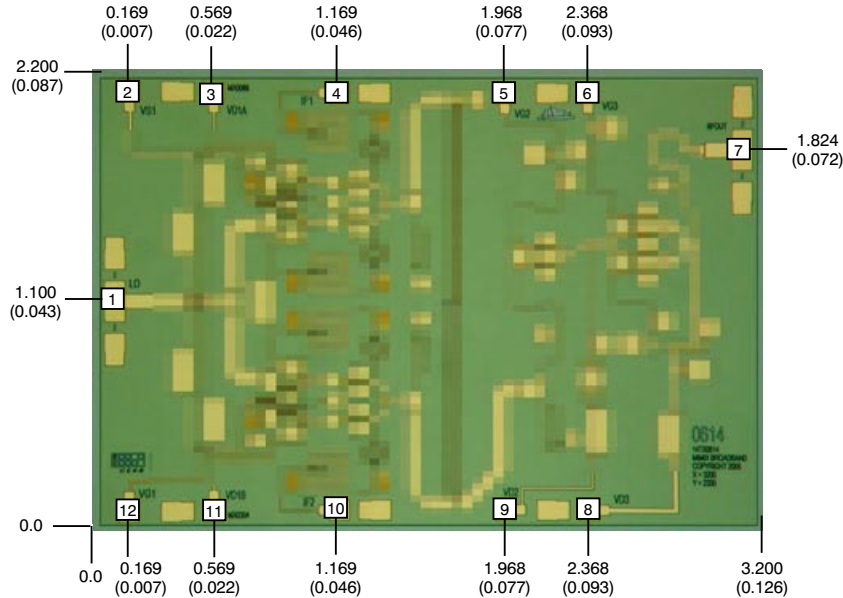
March 2007 - Rev 01-Mar-07

Transmitter Measurements (cont.)



10.0-18.0 GHz GaAs MMIC Transmitter

Mechanical Drawing

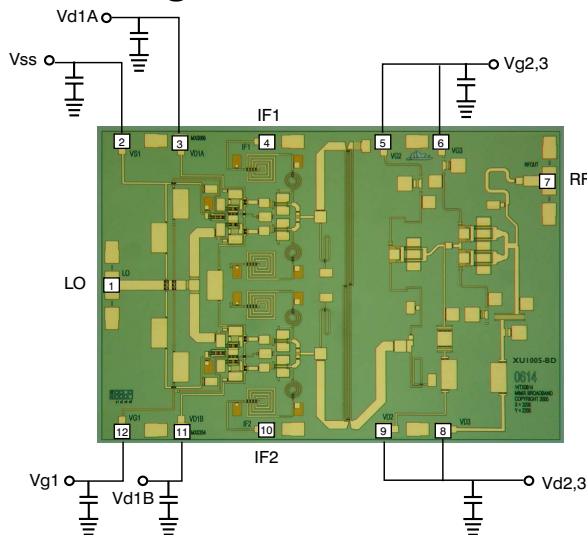


(Note: Engineering designator is 14TX0614)

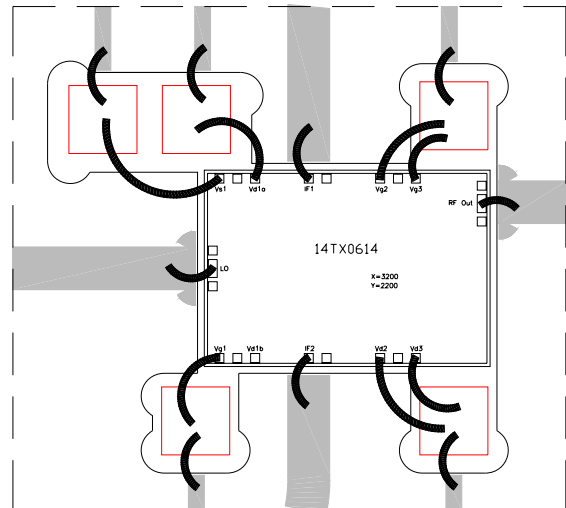
Units: millimeters (inches) Bond pad dimensions are shown to center of bond pad.
 Thickness: 0.110 +/- 0.010 (0.0043 +/- 0.0004), Backside is ground, Bond Pad/Backside Metallization: Gold
 All DC/IF Bond Pads are 0.100 x 0.100 (0.004 x 0.004). All RF Bond Pads are 0.100 x 0.200 (0.004 x 0.008).
 Bond pad centers are approximately 0.109 (0.004) from the edge of the chip.
 Dicing tolerance: +/- 0.005 (+/- 0.0002). Approximate weight: 4.36 mg.

Bond Pad #1 (LO)	Bond Pad #3 (Vd1A)	Bond Pad #5 (Vg2)	Bond Pad #7 (RF)	Bond Pad #9 (Vd2)	Bond Pad #11 (Vd1B)
Bond Pad #2 (Vg1)	Bond Pad #4 (IF1)	Bond Pad #6 (Vg3)	Bond Pad #8 (Vd3)	Bond Pad #10 (IF2)	Bond Pad #12 (Vg1)

Bias Arrangement



Bypass Capacitors - See App Note [2]



10.0-18.0 GHz GaAs MMIC Transmitter

March 2007 - Rev 01-Mar-07

App Note [1] Biasing - As shown in the bonding diagram, this device is operated by separately biasing $V_d(1,2,3)=5.0V$, $V_{ss}=-5.0V$, $I_{d1}=140mA$, $I_{d2}=70mA$, $I_{d3}=140mA$ and $I_{s1}=140mA$. Additionally, a mixer is also required with $V_{g1}=-0.6V$. Adjusting V_{g1} above or below this value can adversely affect conversion gain, LO/RF isolation and intercept point performance. Gain control can be adjusted by varying $V_{g2,3}$ from 0.0 to -1.2 V with 0.0V providing minimum attenuation and -1.2 V providing maximum attenuation. It is also recommended to use active biasing to keep the currents constant as the RF power and temperature vary; this gives the most reproducible results. Depending on the supply voltage available and the power dissipation constraints, the bias circuit may be a single transistor or a low power operational amplifier, with a low value resistor in series with the drain supply used to sense the current. The gate of the pHEMT is controlled to maintain correct drain current and thus drain voltage. The typical gate voltage needed to do this is -0.2V. Typically the gate is protected with Silicon diodes to limit the applied voltage. Also, make sure to sequence the applied voltage to ensure negative gate bias is available before applying the positive drain supply.

App Note [2] Bias Arrangement -

For Parallel Stage Bias (Recommended for general applications) -- The same as Individual Stage Bias but all the drain or gate pad DC bypass capacitors (~100-200 pF) can be combined. Additional DC bypass capacitance (~0.01 uF) is also recommended to all DC or combination (if gate or drains are tied together) of DC bias pads.

For Individual Stage Bias -- Each DC pad ($V_{d1,2,3}$, V_{ss} , and $V_{g1,2,3}$) needs to have DC bypass capacitance (~100-200 pF) as close to the device as possible. Additional DC bypass capacitance (~0.01 uF) is also recommended.

MTTF Tables (TBD)

These numbers were calculated based on accelerated life test information and thermal model analysis received from the fabricating foundry.

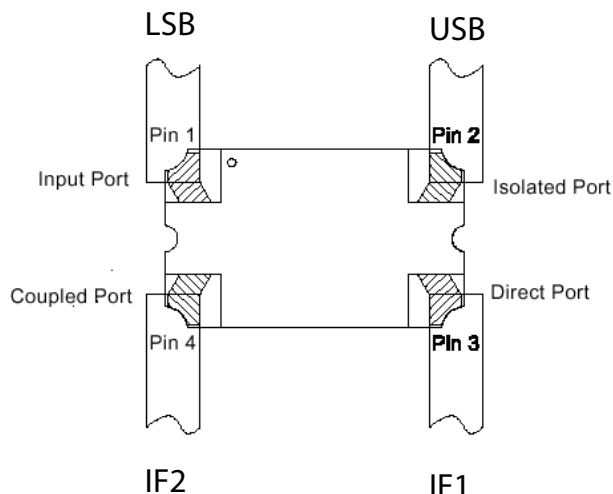
Backplate Temperature	Channel Temperature	Rth	MTTF Hours	FITs
55 deg Celsius	deg Celsius	C/W	E+	E+
75 deg Celsius	deg Celsius	C/W	E+	E+
95 deg Celsius	deg Celsius	C/W	E+	E+

Bias Conditions: $V_{d1}=V_{d2}=V_{d3}=5.0V$, $V_{ss}=-5.0V$, $I_{d1}=140mA$, $I_{d2}=70mA$, $I_{d3}=140mA$, $I_{s1}=140mA$

10.0-18.0 GHz GaAs MMIC Transmitter

March 2007 - Rev 01-Mar-07

App Note [3] USB/LSB Selection -



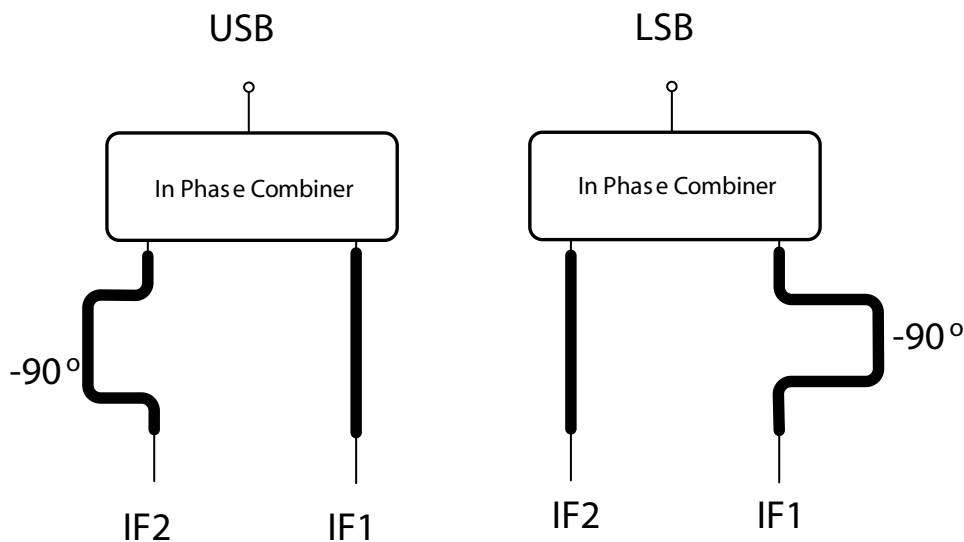
For Upper Side Band operation (USB):

With IF1 and IF2 connected to the direct port (0°) and coupled port (90°) respectively as shown in the diagram, the USB signal will reside on the isolated port. The input port must be loaded with 50 ohms.

For Lower Side Band operation (LSB):

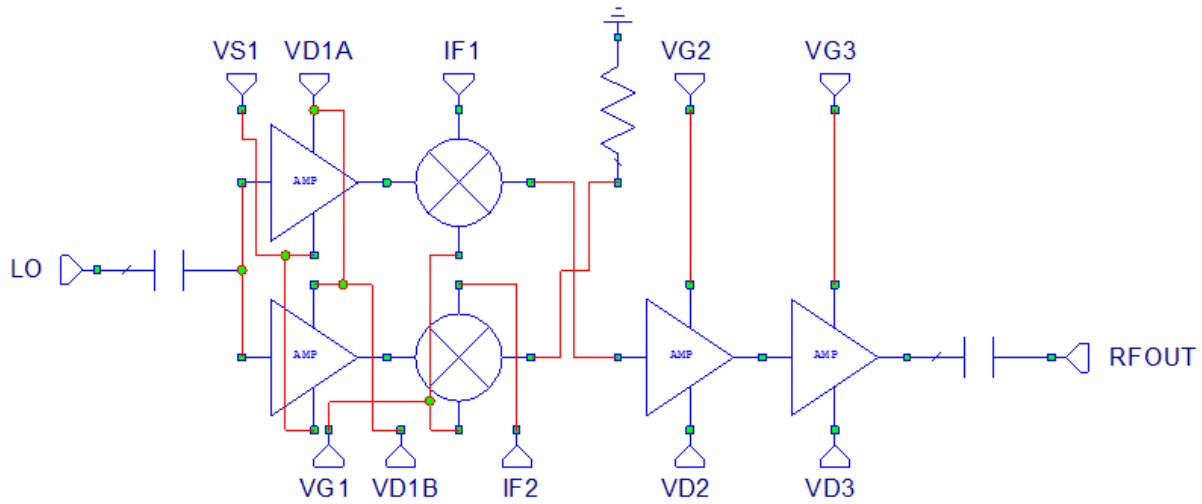
With IF1 and IF2 connected to the direct port (0°) and coupled port (90°) respectively as shown in the diagram, the LSB signal will reside on the input port. The isolated port must be loaded with 50 ohms.

An alternate method of Selection of USB or LSB:



10.0-18.0 GHz GaAs MMIC Transmitter

Device Schematic



10.0-18.0 GHz GaAs MMIC Transmitter

March 2007 - Rev 01-Mar-07

Handling and Assembly Information

CAUTION! - Mimix Broadband MMIC Products contain gallium arsenide (GaAs) which can be hazardous to the human body and the environment. For safety, observe the following procedures:

- *Do not ingest.*
- *Do not alter the form of this product into a gas, powder, or liquid through burning, crushing, or chemical processing as these by-products are dangerous to the human body if inhaled, ingested, or swallowed.*
- *Observe government laws and company regulations when discarding this product. This product must be discarded in accordance with methods specified by applicable hazardous waste procedures.*

Life Support Policy - Mimix Broadband's products are not authorized for use as critical components in life support devices or systems without the express written approval of the President and General Counsel of Mimix Broadband. As used herein: (1) Life support devices or systems are devices or systems which, (a) are intended for surgical implant into the body, or (b) support or sustain life, and whose failure to perform when properly used in accordance with instructions for use provided in the labeling, can be reasonably expected to result in a significant injury to the user. (2) A critical component is any component of a life support device or system whose failure to perform can be reasonably expected to cause the failure of the life support device or system, or to affect its safety or effectiveness.

ESD - Gallium Arsenide (GaAs) devices are susceptible to electrostatic and mechanical damage. Die are supplied in antistatic containers, which should be opened in cleanroom conditions at an appropriately grounded anti-static workstation. Devices need careful handling using correctly designed collets, vacuum pickups or, with care, sharp tweezers.

Die Attachment - GaAs Products from Mimix Broadband are 0.100 mm (0.004") thick and have vias through to the backside to enable grounding to the circuit. Microstrip substrates should be brought as close to the die as possible. The mounting surface should be clean and flat. If using conductive epoxy, recommended epoxies are Tanaka TS3332LD, Die Mat DM6030HK or DM6030HK-Pt cured in a nitrogen atmosphere per manufacturer's cure schedule. Apply epoxy sparingly to avoid getting any on to the top surface of the die. An epoxy fillet should be visible around the total die periphery. For additional information please see the Mimix "Epoxy Specifications for Bare Die" application note. If eutectic mounting is preferred, then a fluxless gold-tin (AuSn) preform, approximately 0.001" thick, placed between the die and the attachment surface should be used. A die bonder that utilizes a heated collet and provides scrubbing action to ensure total wetting to prevent void formation in a nitrogen atmosphere is recommended. The gold-tin eutectic (80% Au 20% Sn) has a melting point of approximately 280 °C (Note: Gold Germanium should be avoided). The work station temperature should be 310 °C +/- 10 °C. Exposure to these extreme temperatures should be kept to minimum. The collet should be heated, and the die pre-heated to avoid excessive thermal shock. Avoidance of air bridges and force impact are critical during placement.

Wire Bonding - Windows in the surface passivation above the bond pads are provided to allow wire bonding to the die's gold bond pads. The recommended wire bonding procedure uses 0.076 mm x 0.013 mm (0.003" x 0.0005") 99.99% pure gold ribbon with 0.5-2% elongation to minimize RF port bond inductance. Gold 0.025 mm (0.001") diameter wedge or ball bonds are acceptable for DC Bias connections. Aluminum wire should be avoided. Thermo-compression bonding is recommended though thermosonic bonding may be used providing the ultrasonic content of the bond is minimized. Bond force, time and ultrasonics are all critical parameters. Bonds should be made from the bond pads on the die to the package or substrate. All bonds should be as short as possible.

Ordering Information

Part Number	Description
XU1005-BD-000V	Where "V" is RoHS compliant die packed in vacuum release gel paks
XU1005-BD-EV1	XU1005 die evaluation module