



Description

- Surface mount oscillator in a ceramic package with a hermetically sealed metal lid
- Model: CFPS-32
- Model Issue number: 12

Frequency Parameters

- Frequency: 50.0MHz
- Frequency Tolerance @ 25°C: INCLUSIVE
- Frequency Stability: ±50.00ppm
- Operating Temperature Range: -40.00 to 85.00°C

Electrical Parameters

- Supply Voltage: 2.5V
- Supply Voltage Tolerance: ±5%
- Current Draw: 20mA max

Output Details

- Output Compatibility: CMOS
- Output Load: 15pF max
- Rise and Fall time: 4ns max
- Duty Cycle: 40/60%

Output Control

- Logic '1' (>70% VS) to pad 1 enables oscillator output
- Logic '0' (<30% VS) to pad 1 disables oscillator output; the oscillator output goes to the high impedance state
- No connection to pad 1 enables oscillator output

Environmental Parameters

- Shock: MIL-STD-202, Method 213, Condition E
- Vibration: MIL-STD-883, Method 2007, Condition A
- Storage Temperature Range: -55 to 125°C

Compliance

- RoHS Status: Compliant
- REACH Status: Compliant
- MSL Rating (JDEC-STD-033): Not Applicable

Packaging

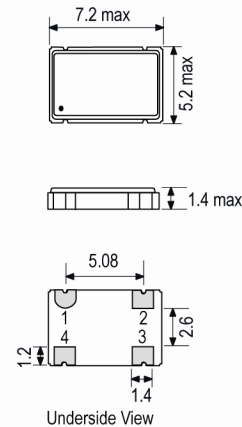
- Pack Type: Reel: Tape & reel in accordance with EIA-481-D
- Pack Size: 1,000

- Alternative packing option available

This document is correct at the time of printing; please contact your local office for the latest version.

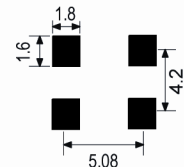


Outline (mm)

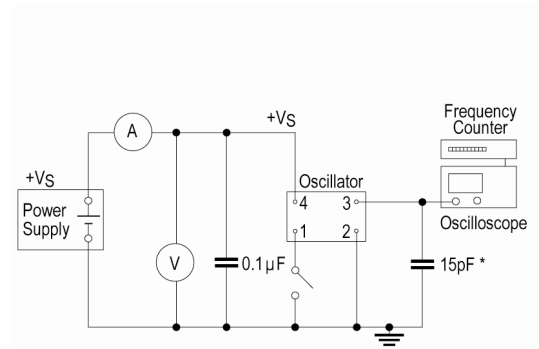


- Pad Connections
- Standby Operation
 - GND
 - Output
 - +Vs

Solder Pad Layout



Test Circuit



* Inclusive of jigging and equipment capacitance

Sales Office Contact Details:

UK: +44 (0)1460 270200

Germany: +49 (0) 30 408 192 300

France: +33 (0)5 34 50 91 18

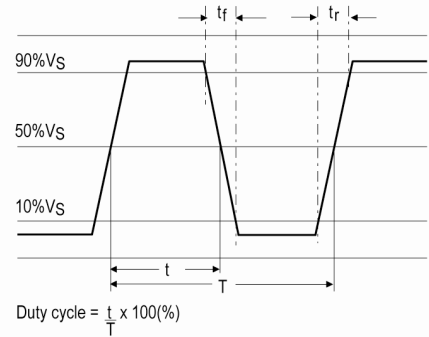
USA: +1 408.273.4530

Email: info@iqdfrequencyproducts.com

Web: www.iqdfrequencyproducts.com



Wave Form



Sales Office Contact Details:

UK: +44 (0)1460 270200

Germany: +49 (0) 30 408 192 300

France: +33 (0)5 34 50 91 18

USA: +1 408.273.4530

Email: info@iqdfrequencyproducts.com

Web: www.iqdfrequencyproducts.com