

MAFL-011023



MoCA Triplex Filter 5 - 65 / 88 - 1002 / 1125 - 1675 MHz

Rev.V1

Description

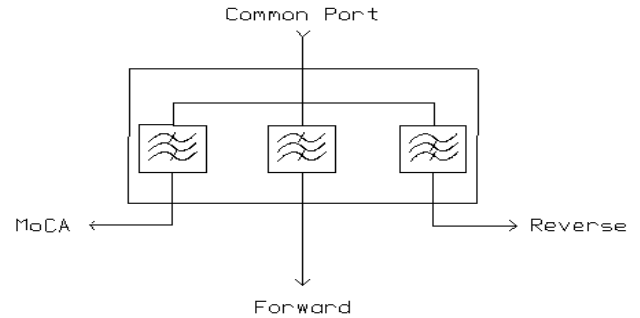
- MACOM Technology Solution's MAFL-011023 is a surface mount triplex filter designed for MoCA applications

Features

- 75 Ohm
- SMT unit
- RoHS compliant

Electrical specifications: $T_A = 25^\circ\text{C}$, $Z_0 = 75\Omega$

Block Diagram

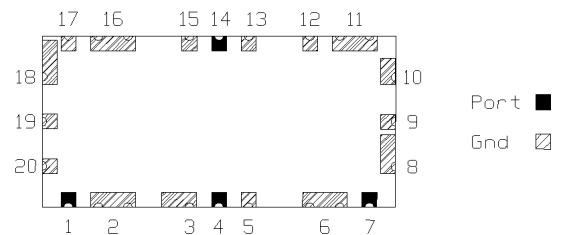


Parameter	Units	Min	Typ	Max
Reverse Path Insertion loss				
5-65 MHz	dB	-	1.2	1.5
Rejection				
88-126 MHz	dB	64	70	-
126-860 MHz	dB	64	70	-
860-1002 MHz	dB	64	70	-
1125-1600 MHz	dB	60	64	-
1600-1675 MHz	dB	56	60	-
1675-3000 MHz	dB	30	50	-
Forward path Insertion loss				
88-126 MHz	dB	-	1.5	2.0
126-860 MHz	dB	-	0.75	1.5
860-1002 MHz	dB	-	2.5	2.75
Rejection				
5-38 MHz	dB	50	55	-
38-65 MHz	dB	43	45	-
1125-1675 MHz	dB	43	45	-
1675-3000 MHz	dB	20	30	-
MoCA Path Insertion Loss				
1125-1150 MHz	dB	-	2.8	3.0
1150-1650 MHz	dB	-	2.5	2.7
1650-1675 MHz	dB	-	2.5	3.0
Rejection				
5-65 MHz	dB	49	70	-
88-1002 MHz	dB	49	55	-
2300-3000 MHz	dB	25	35	-

Parameter	Units	Min	Typ	Max
Input Return Loss				
5-65 MHz	dB	16	18	-
88-860MHz	dB	16	18	-
860-1002MHz	dB	12	16	-
1125-1675 MHz	dB	12	16	-
Isolation				
Forward to Reverse				
5-38 MHz	dB	55	58	-
38-65 MHz	dB	43	45	-
88-126 MHz	dB	60	65	-
126-860 MHz	dB	60	65	-
860-1002 MHz	dB	60	65	-
Forward to MoCA				
5-65 MHz	dB	49	70	-
88-126 MHz	dB	49	70	-
126-860 MHz	dB	49	53	-
860-1002 MHz	dB	49	55	-
1125-1150 MHz	dB	43	45	-
1150-1650 MHz	dB	43	50	-
1650-1675 MHz	dB	43	50	-

Pin Configuration

Function	Pin Number
MoCA Port	1
Forward Port	4
Reverse Port	7
Common Port	14
Ground	2, 3, 5, 6, 8-13, 15-20



Recommended Maximum Ratings

Parameter	Absolute maximum
RF power	250mW
DC current	30mA
Operating temperature	-40°C to +85°C
Storage temperature	-40°C to +85°C

MACOM Technology Solutions Inc. (MACOM) and its affiliates reserve the right to make changes to the product(s) or information contained herein without notice. Visit www.macomtech.com for additional data sheets and product information.

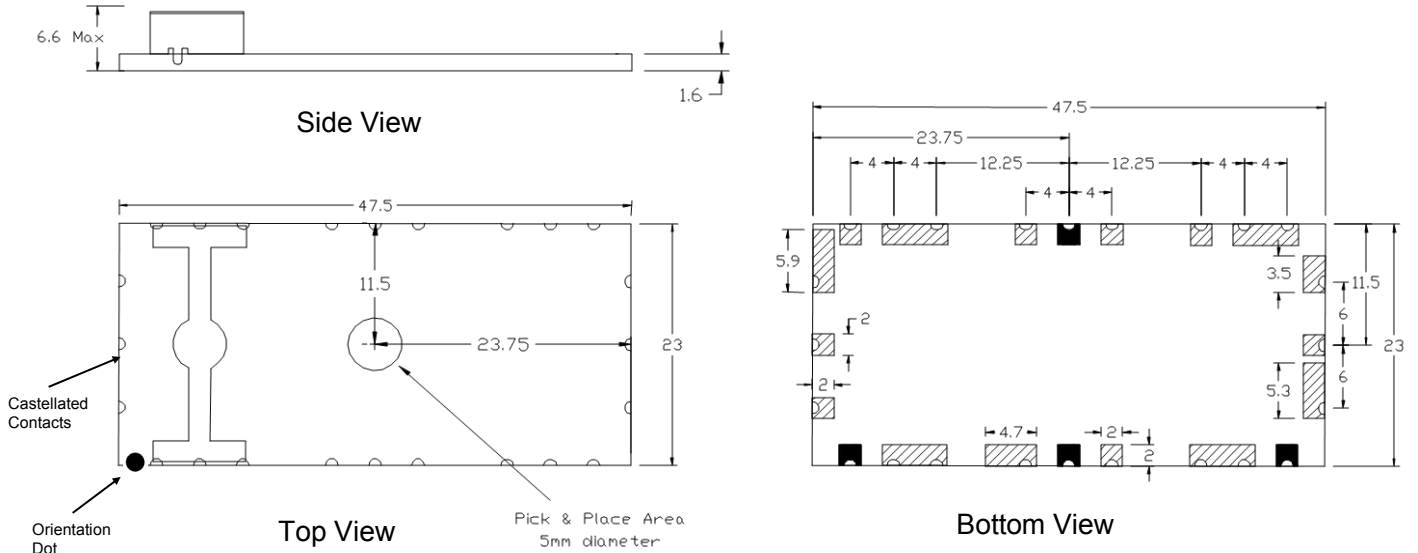
MAFL-011023



MoCA Triplex Filter
5 - 65 / 88 - 1002 / 1125 - 1675 MHz

Rev.V1

Filter Dimensions

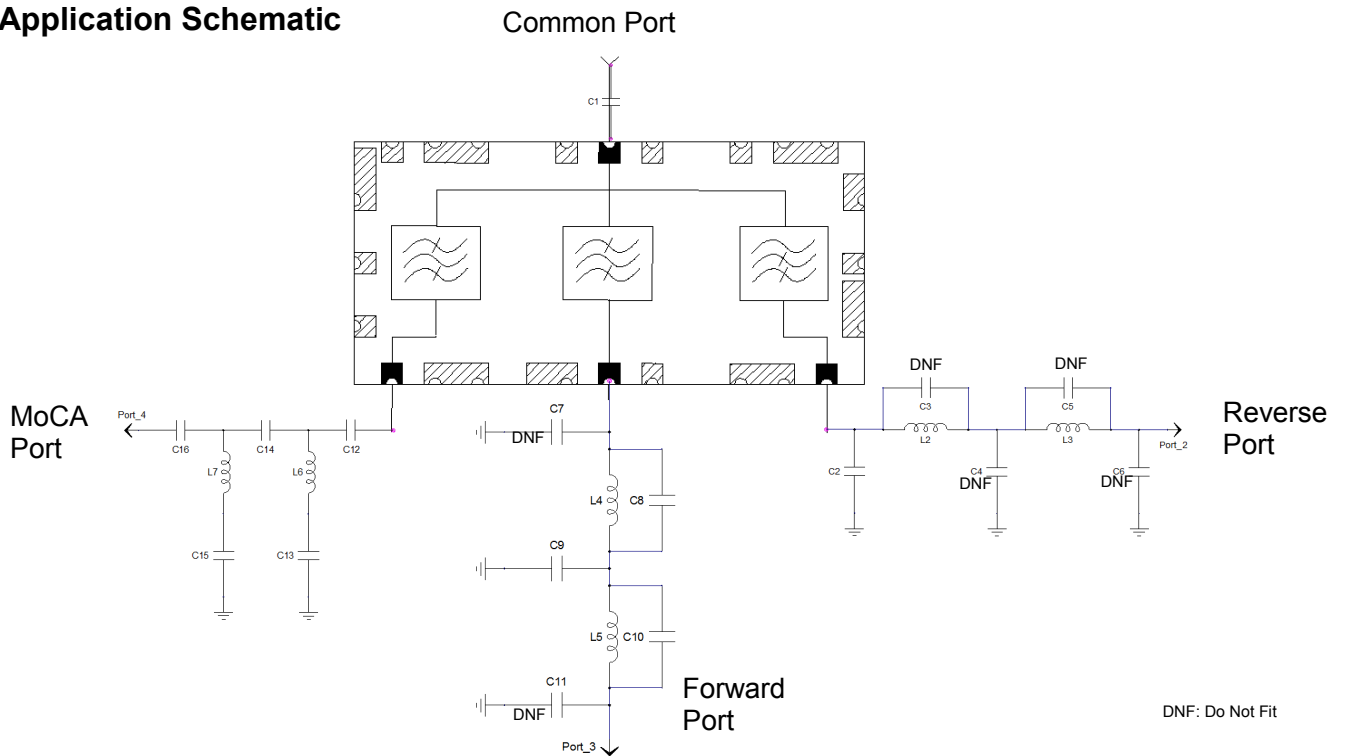


Dimensions in mm. Tolerance: .x ± 0.1 unless otherwise noted.

Solder resist colour: Blue.

PCB Pad Finish: ENIG.

Application Schematic



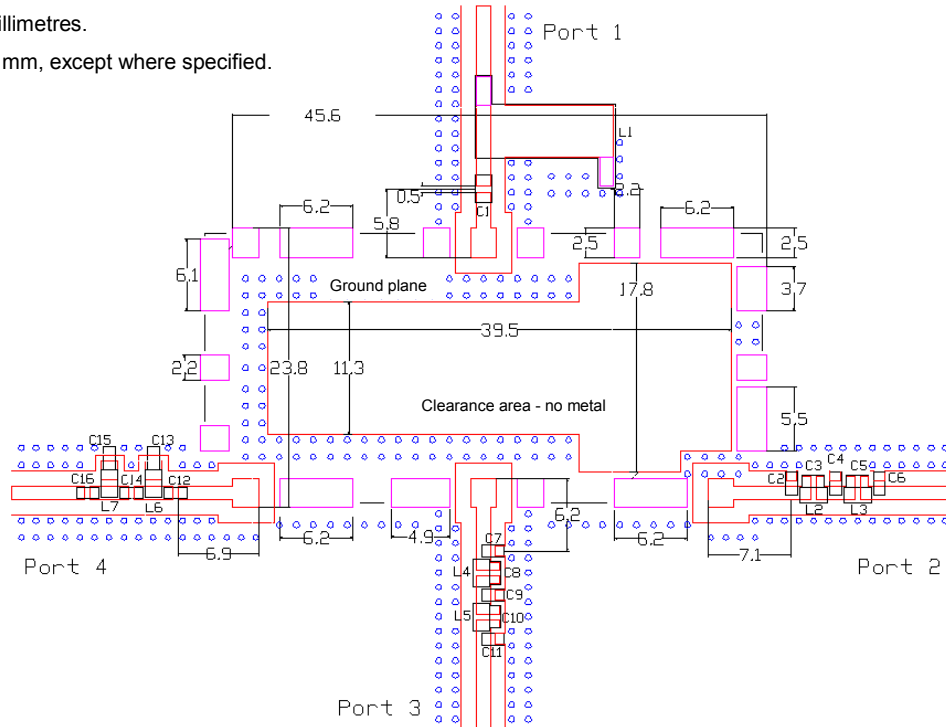
M/A-COM Technology Solutions Inc. (MACOM) and its affiliates reserve the right to make changes to the product(s) or information contained herein without notice. Visit www.macomtech.com for additional data sheets and product information.

- **North America** Tel: 800.366.2266 / Fax: 978.366.2266
- **Europe** Tel: 44.1908.574.200 / Fax: 44.1908.574.300
- **Asia/Pacific** Tel: 81.44.844.8296 / Fax: 81.44.844.8298

Recommended Application Layout

Dimensions are millimetres.

Tolerance: $.x \pm 0.1\text{mm}$, except where specified.



- NOTE: Any deviation from recommended footprint will compromise the filter performance
- For optimal filter performance the 4 transmission lines need to be at 75 Ω impedance
- Substrate is 1.6mm thick FR4
- Track dimension = 1.15mm
- Gap dimension = 1.3mm

Recommended Component Values

Part	Des	Qty
CAP,SMT,0402,27pF,+/-2%,50V,C0G		
RES,SMT,0603,Zero Ohm	C1,L3	2
CAP,SMT,0402,27pF,+/-2%,50V,C0G	C2	1
CAP,SMT,0402,15pF,+/-2%,50V,C0G	C4	1
Do Not Fit (DNF)	C3,C5,C6,C7, C11,L1	6
CAP,SMT,0402,2.7pF,+/-0.25%,50V,C0G	C8	1
CAP,SMT,0402,1.3pF +/-0.1pF,50V,C0G	C9	1
CAP,SMT,0402,0.6pF,+/-0.1pF,50V,C0G	C10	1
CAP,SMT,0402,2.0pF,+/-0.1pF,50V,C0G	C12	1
CAP,SMT,0402,7.5pF,+/-0.25pF,50V,C0G	C13	1
RES,SMT,0402,Zero Ohm	C14,C16	2
CAP,SMT,0402,3.0pF,+/-0.25%,50V,C0G	C15	1
IND,SMT,0603,220nH (Coil Craft Wire IND)	L2	1
IND,SMT,0603,5.6nH (Coil Craft Wire IND)	L4	1
IND,SMT,0603,6.8nH (Coil Craft Wire IND)	L5	1
IND,SMT,0603,12nH	L6	1
IND,SMT,0603,22nH	L7	1

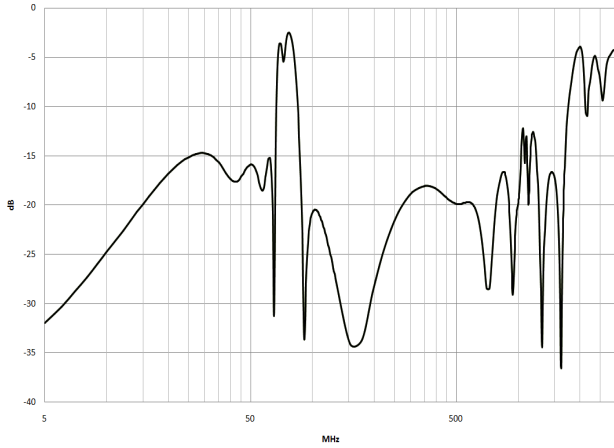
- It is not recommended to run tracks under the filter.
- RF shield should be kept a minimum of 10mm above the filter
- A ground is required on the top layer of the application PCB. Recommended ground pattern shown. A clearance area in the centre of the application ground is required as shown.
- This ground plane is connected to the filter ground plane and forms a 75 Ω co-planar wave guide for the input and output RF transmission lines.

MACOM Technology Solutions Inc. (MACOM) and its affiliates reserve the right to make changes to the product(s) or information contained herein without notice.
 Visit www.macomtech.com for additional data sheets and product information.

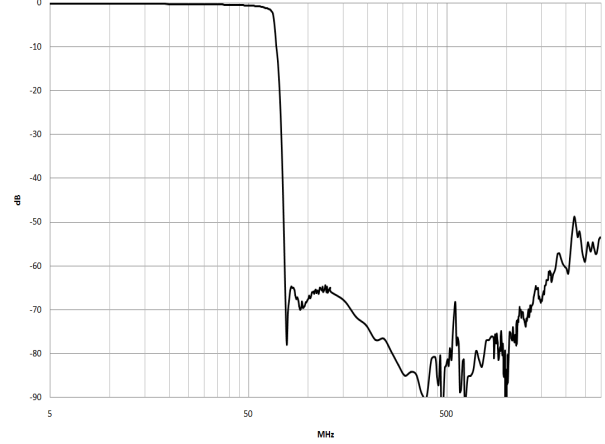
MoCA Triplex Filter 5 - 65 / 88 - 1002 / 1125 - 1675 MHz

Rev.V1

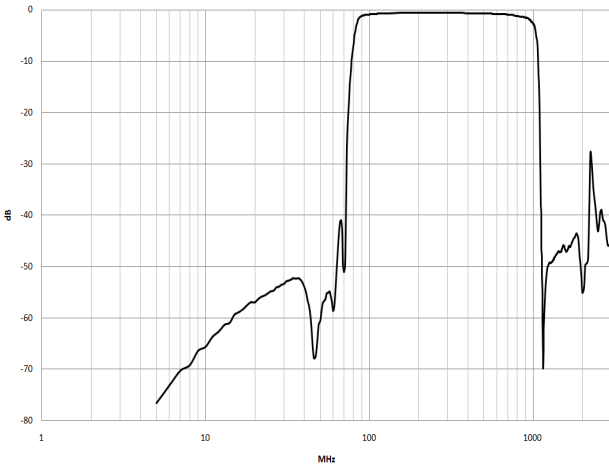
Common Port Return Loss



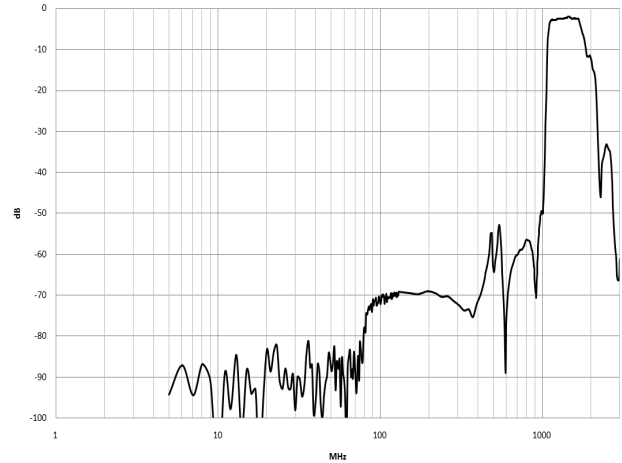
Reverse Path



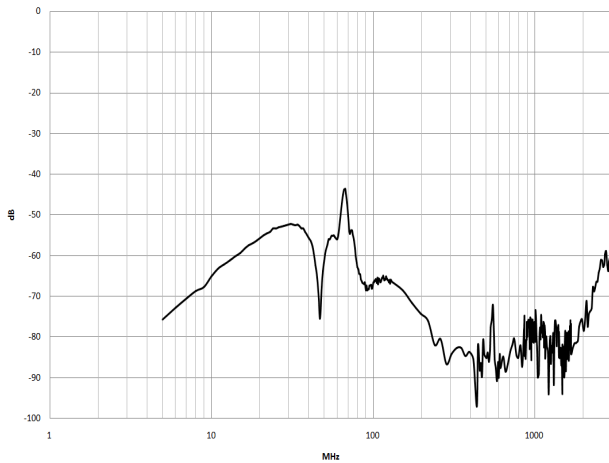
Forward Path



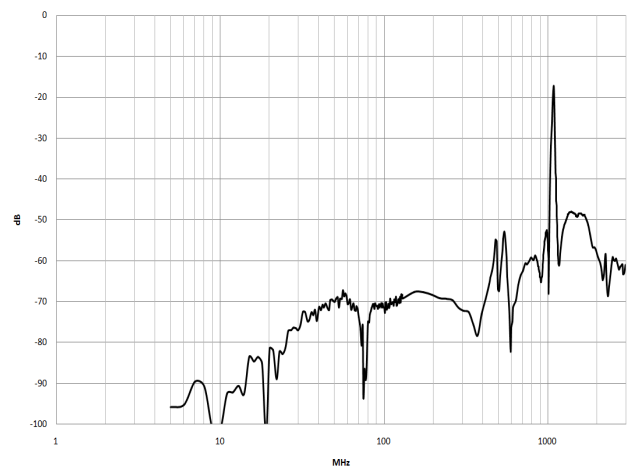
MoCA Path



Reverse to Forward Path Isolation



Forward to MoCA Path Isolation



M/A-COM Technology Solutions Inc. (MACOM) and its affiliates reserve the right to make changes to the product(s) or information contained herein without notice. Visit www.macomtech.com for additional data sheets and product information.

- **North America** Tel: 800.366.2266 / Fax: 978.366.2266
- **Europe** Tel: 44.1908.574.200 / Fax: 44.1908.574.300
- **Asia/Pacific** Tel: 81.44.844.8296 / Fax: 81.44.844.8298

MAFL-011023



MoCA Triplex Filter
5 - 65 / 88 - 1002 / 1125 - 1675 MHz

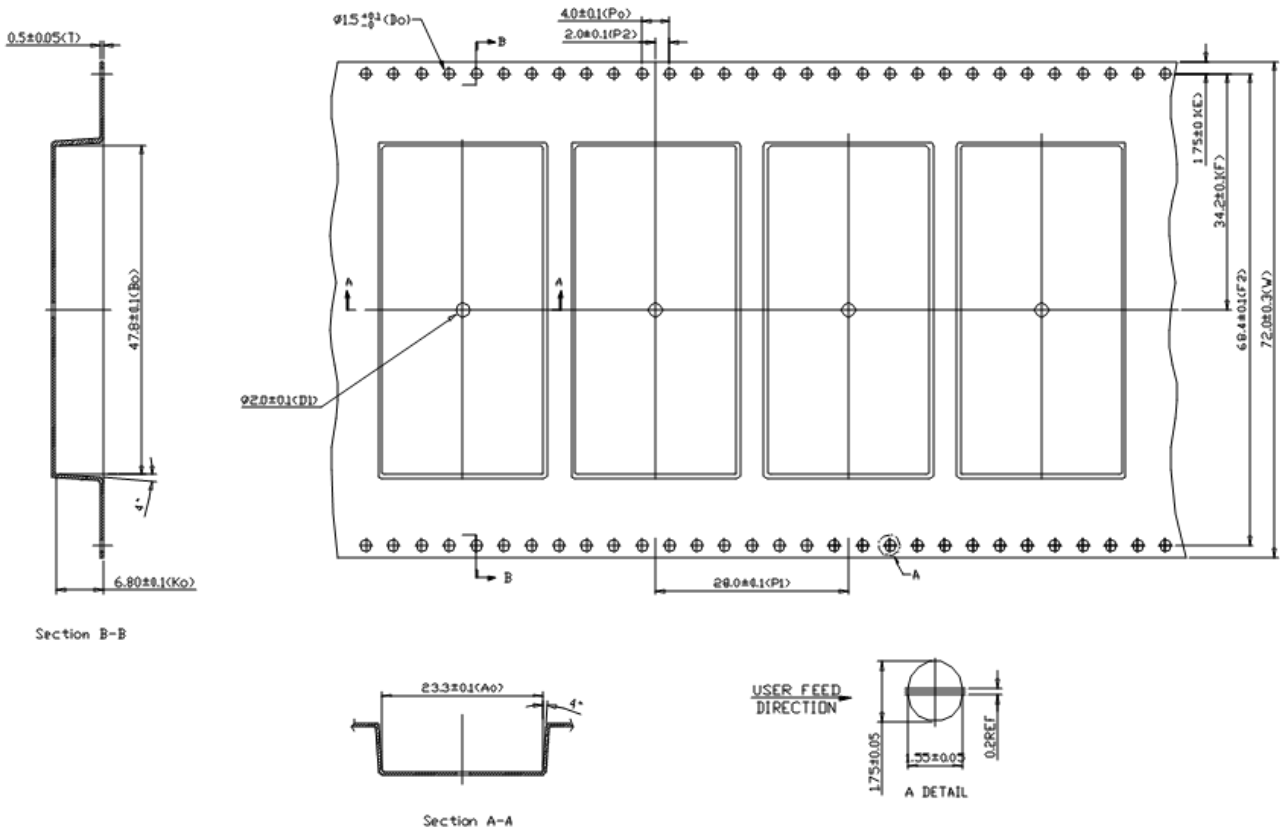
Rev.V1

Tape & Reel Information

Parameter	Units	Value
Qty per reel	-	200
Reel Size	mm	330
Tape Width	mm	72.0
Pitch	mm	28.0
Ao	mm	23.3
Bo	mm	47.8
Ko	mm	6.8
Orientation	-	F54
Reference Application Note ANI-019 for orientation		

Ordering Information

Part Number	Package
MAFL-011023	Tape & Reel



MACOM Technology Solutions Inc. (MACOM) and its affiliates reserve the right to make changes to the product(s) or information contained herein without notice. Visit www.macomtech.com for additional data sheets and product information.

- North America Tel: 800.366.2266 / Fax: 978.366.2266
- Europe Tel: 44.1908.574.200 / Fax: 44.1908.574.300
- Asia/Pacific Tel: 81.44.844.8296 / Fax: 81.44.844.8298