

RoHS Compliant



Broadband CATV, Coupler
5-1000MHz

MACPCT0040
V1A

Features

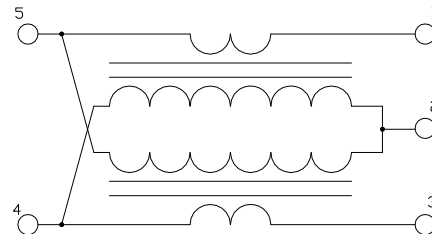
- Surface Mount
- Typical Coupling +10dB
- 260°C Reflow Compatible
- RoHS* Compliant
- RoHS equivalent of EMDC-10-1
- Available on Tape and Reel. Reel quantity 2000

Description

M/A-COM's MACPCT0040 is a 10dB broadband Coupler in a low cost, surface mount package. It offers low loss, good isolation, good input/output matching and exceptional coupling repeatability. Ideally suited for high volume CATV/Broadband applications.



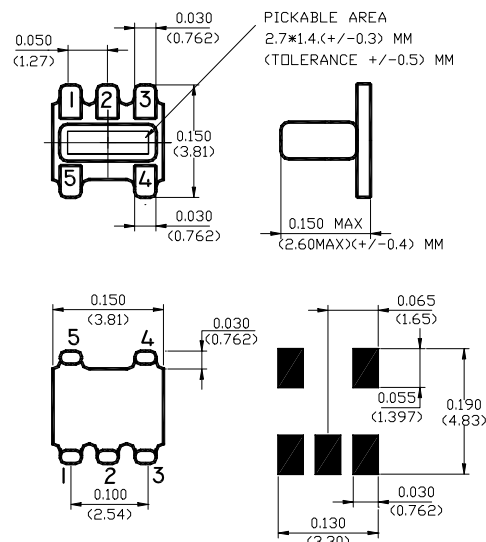
Schematic



Pin Configuration

Pin No.	Function
1	Input
2	Ground
3	Coupled
4	Isolated (external 50 Ohms termination)
5	Output

Case Style: SM-91



THE TOTAL HEIGHT OF THIS UNIT IS 2.60+/-0.4MM. THE CORE IS PLACED DIRECTLY IN THE CENTER OF THE SUBSTRATE, TOLERANCE +/-0.5 MM. THE "PICKABLE" AREA ON THE TOP OF THE CORE IS 2.7 * 1.4 (+/-0.3) MM

Dimensions in inches [mm] Tolerance: .xx ± .02, .xxx ± .010

Ordering Information

Part Number	Package
MACPCT0040TR	2000 piece reel

Note: Reference Application Note **M513** for reel size information.

* Restrictions on Hazardous Substances, European Union Directive 2002/95/EC.

ADVANCED: Data Sheets contain information regarding a product M/A-COM Technology Solutions is considering for development. Performance is based on target specifications, simulated results, and/or prototype measurements. Commitment to develop is not guaranteed.

PRELIMINARY: Data Sheets contain information regarding a product M/A-COM Technology Solutions has under development. Performance is based on engineering tests. Specifications are typical. Mechanical outline has been fixed. Engineering samples and/or test data may be available. Commitment to produce in volume is not guaranteed.

• North America Tel: 800.366.2266 • Europe Tel: +353.21.244.6400
• India Tel: +91.80.4155721 • China Tel: +86.21.2407.1588

Visit www.macomtech.com for additional data sheets and product information.

M/A-COM Technology Solutions Inc. and its affiliates reserve the right to make changes to the product(s) or information contained herein without notice.

Broadband CATV, Coupler 5-1000MHz

MACPCT0040
V1A

Electrical Specifications: $T_A = 25^\circ\text{C}$, $Z_0 = 50\Omega$ ¹

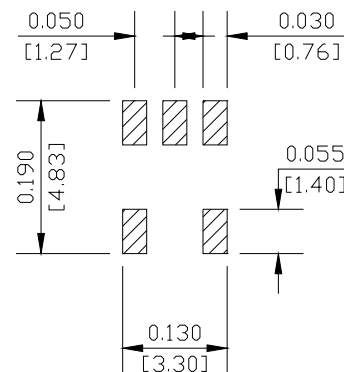
Parameter	Test Conditions	Units	Min	Typ	Max
Coupling	5 - 500 MHz	dB	-	9.95	10 ± 0.4
	500 - 1000 MHz	dB	-	9.90	10 ± 0.6
Main Line Loss	5—500MHz	dB	-	1.1	1.4
	500 - 1000 MHz	dB	-	1.3	1.7
Directivity	5 - 50MHz	dB	20	22	-
	50—500MHz	dB	18	21	-
	500 - 1000 MHz	dB	13	18	-
Input Return Loss	5 - 1000 MHz	dB	16	21	-
Output Return Loss	5 - 50MHz	dB	20	30	-
	50—500MHz	dB	28	40	-
	500 - 1000 MHz	dB	20	35	-
Coupling Return Loss	5 - 500 MHz	dB	16	20	-
	500 - 1000 MHz	dB	13	18	-
Isolation Return Loss	5 - 50MHz	dB	20	30	-
	50—500MHz	dB	25	43	-
	500 - 1000 MHz	dB	16	25	-

Absolute Maximum Ratings^{1,2}

Parameter	Absolute Maximum
Max Input Power	250mW
DC current	30mA
Operating Temperature	-40°C to +85°C
Storage Temperature	-55°C to +100°C

- Exceeding any one or combination of these limits may cause permanent damage to this device.
- M/A-COM does not recommend sustained operation near these survivability limits.

Recommended PCB Configuration



2

ADVANCED: Data Sheets contain information regarding a product M/A-COM Technology Solutions is considering for development. Performance is based on target specifications, simulated results, and/or prototype measurements. Commitment to develop is not guaranteed.

PRELIMINARY: Data Sheets contain information regarding a product M/A-COM Technology Solutions has under development. Performance is based on engineering tests. Specifications are typical. Mechanical outline has been fixed. Engineering samples and/or test data may be available. Commitment to produce in volume is not guaranteed.

• North America Tel: 800.366.2266 • Europe Tel: +353.21.244.6400
• India Tel: +91.80.4155721 • China Tel: +86.21.2407.1588

Visit www.macomtech.com for additional data sheets and product information.

M/A-COM Technology Solutions Inc. and its affiliates reserve the right to make changes to the product(s) or information contained herein without notice.

RoHS Compliant

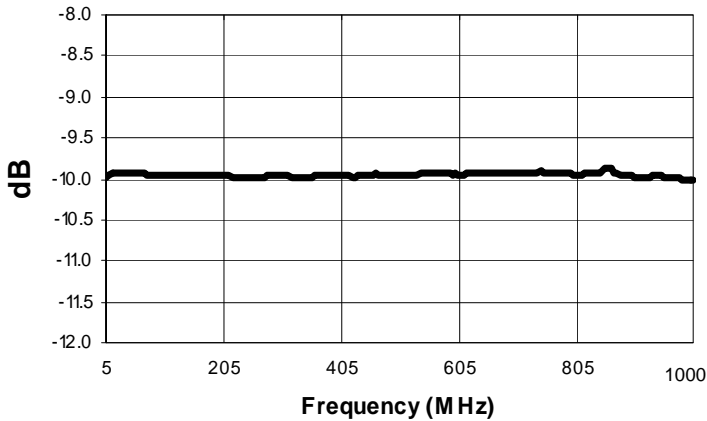


Broadband CATV, Coupler
5-1000MHz

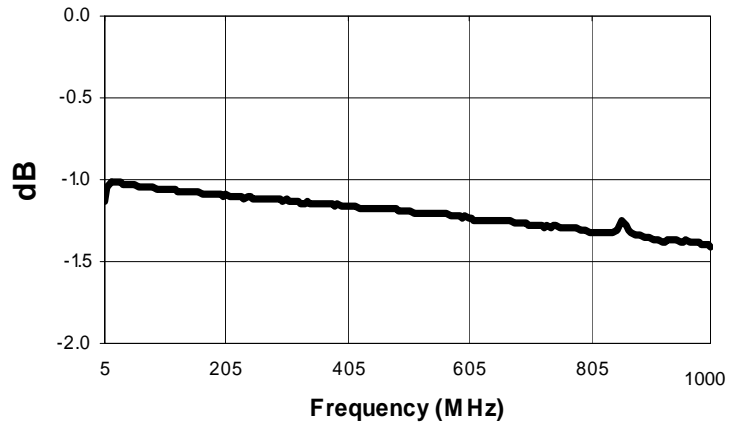
MACPCT0040
V1A

Typical Performance Curves $T_A = 25^\circ\text{C}$, $Z_0 = 50\Omega$

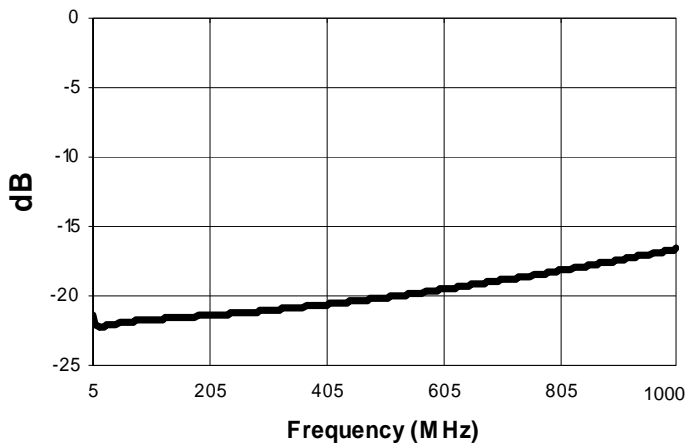
Coupling



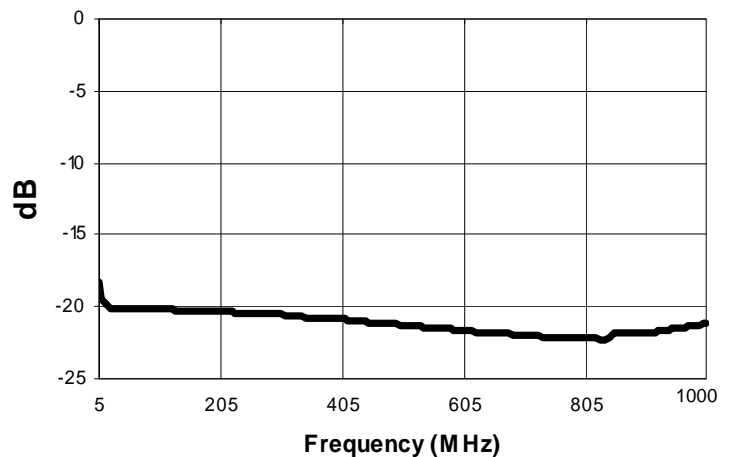
Main Line Loss



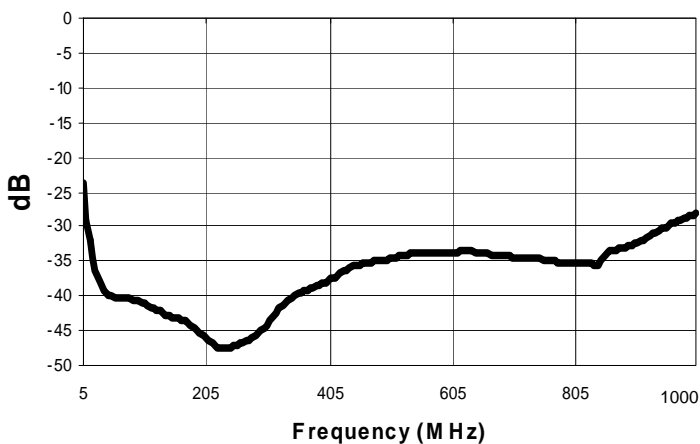
Directivity



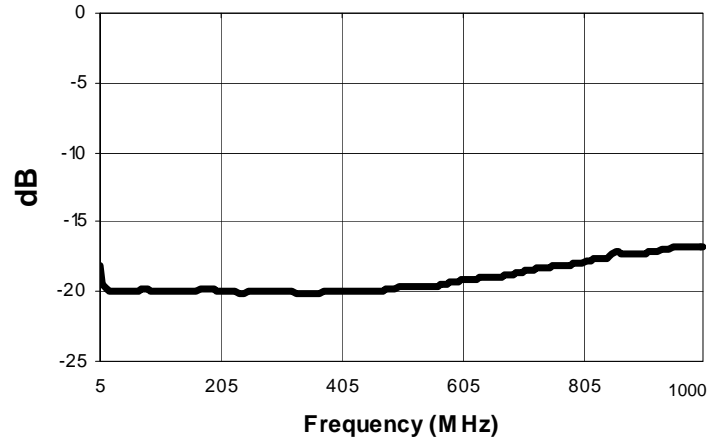
Input Return Loss



Output Return Loss



Coupling Return Loss



ADVANCED: Data Sheets contain information regarding a product M/A-COM Technology Solutions is considering for development. Performance is based on target specifications, simulated results, and/or prototype measurements. Commitment to develop is not guaranteed.

PRELIMINARY: Data Sheets contain information regarding a product M/A-COM Technology Solutions has under development. Performance is based on engineering tests. Specifications are typical. Mechanical outline has been fixed. Engineering samples and/or test data may be available. Commitment to produce in volume is not guaranteed.

• North America Tel: 800.366.2266 • Europe Tel: +353.21.244.6400
• India Tel: +91.80.4155721 • China Tel: +86.21.2407.1588

Visit www.macomtech.com for additional data sheets and product information.

M/A-COM Technology Solutions Inc. and its affiliates reserve the right to make changes to the product(s) or information contained herein without notice.