



Specification

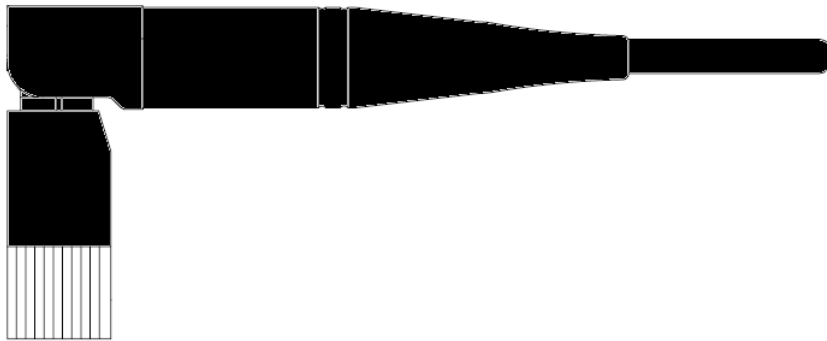
SPECIFICATION

Specification No : **GW.59**

Part No. : **GW.59.2153**

Product Name : 2.4GHz~5.8GHz 2dBi Screw mount Dipole Antenna

Description : RP-SMA Male Straight Connector
Hinged
TPU Housing
Length 138mm
ROHS Compliant



REVISION STATUS

Version	Date	Page	Revision Description	Prepared	Approved
01	Nov 25 2009	All	New product	TW Product Centre	Ronan Quinlan



Specification

1.0 Introduction

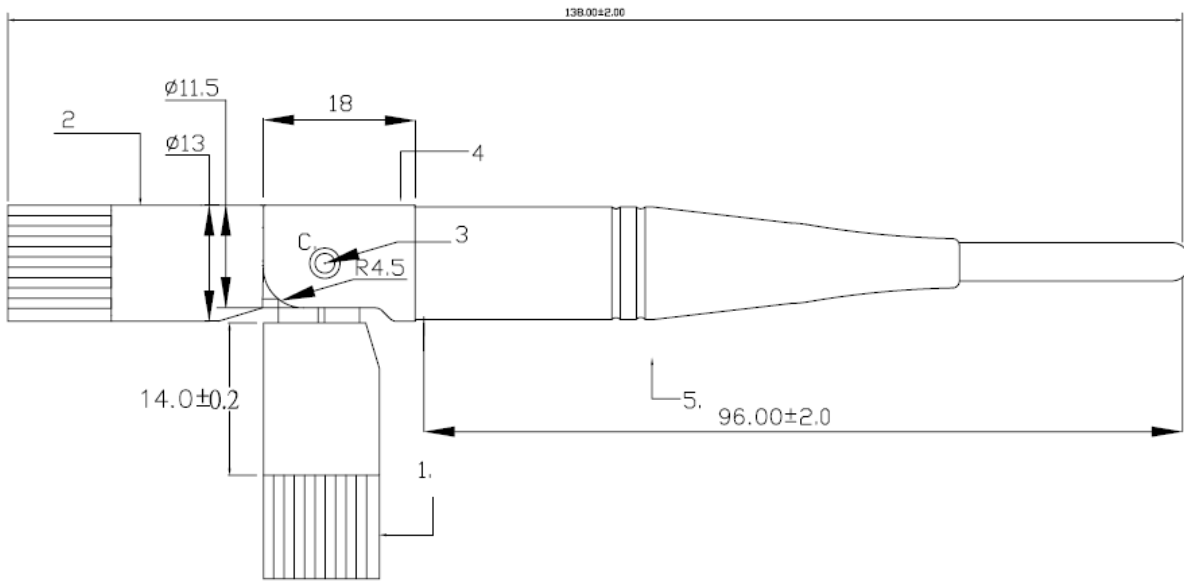
The GW.59 dipole RP-SMA plug mount antenna is ideal for 2.4GHz/5.8GHz wireless applications such as Bluetooth and Wireless LAN. At only 138mm in length omni-directional 2dBi gain across all bands ensures constant reception and transmission. The antenna structure is designed for robust handling and the housing is made with TPU giving superior environmental reliability and a quality finish. The antenna can be rotated 90 degrees on the base hinge for ease of placement.

2.0 Electrical Properties

1.1	Frequency	2400~2500 & 5750~5850 MHz
1.2	Gain (peak)	2 dBi
1.3	V.S.W.R	1.8 Max
1.4	Return Loss	- 10 dB Maximum
1.4	Radiation	Omni-directional
1.6	Polarization	Linear Vertical
1.7	Power Handling	1W



3.0 Outline Drawings and Structure

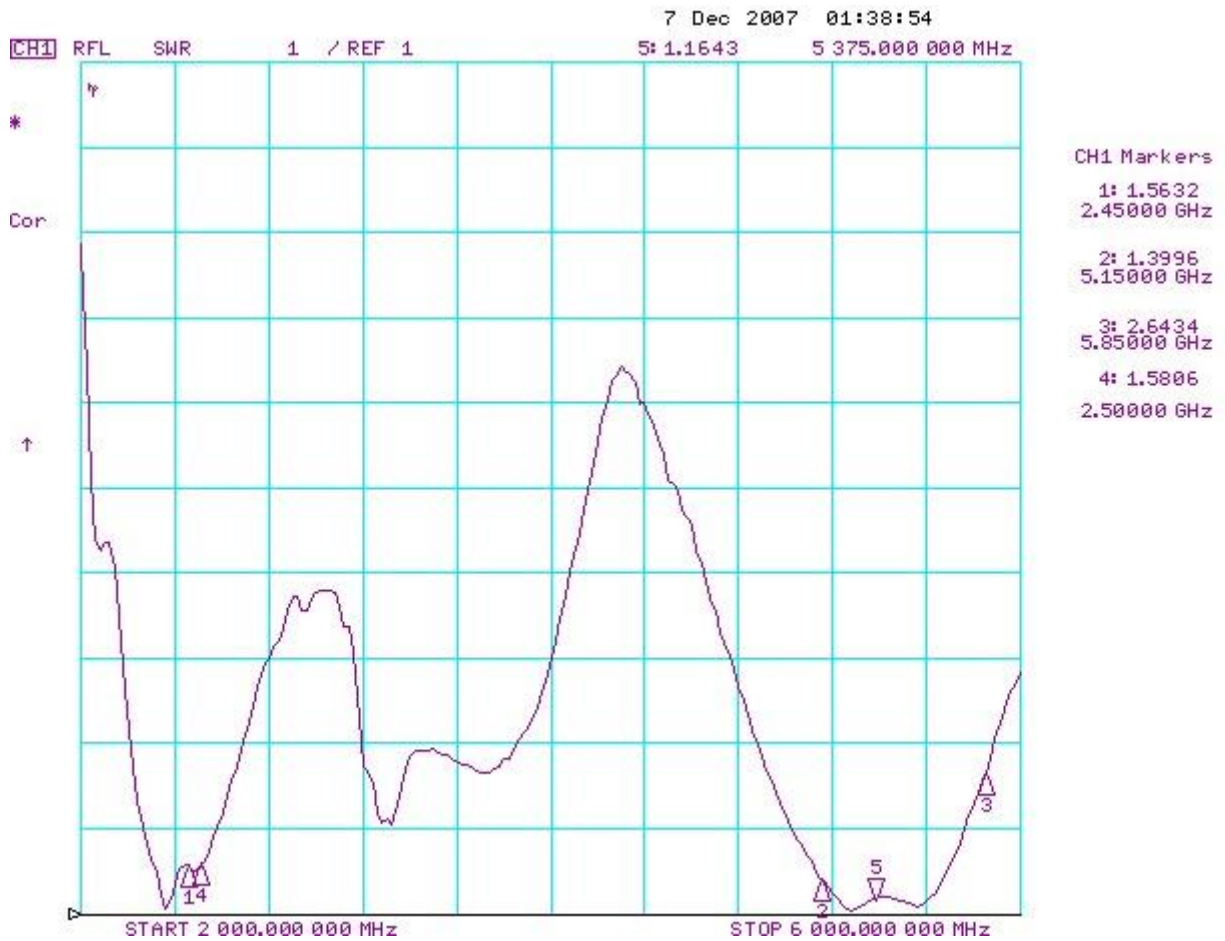


1	Connector	SMA Straight Plug (Black)
2	Antenna Base I	PC & ABS(Black)
3	Rotary Shaft	Brass, Cr (Black)
4	Antenna Base II	PC & ABS(Black)
5	Antenna Cover	TPU (Black)



4.0 Measurements

4.1 VSWR and Return Loss (S11 Mag.)





Specification

