

## Voltage-Controlled Attenuator Module 500 to 4000 MHz

Rev. V3

### Features

- WIDE BAND PERFORMANCE
- EXCELLENT INSERTION LOSS: < 3.0 dB (TYP.)
- HIGH DYNAMIC RANGE: 30 dB TO 3000 MHz (TYP.)
- FAST SWITCHING: < 0.5  $\mu$ sec, 10 TO 90% (TYP.)  
< 2  $\mu$ sec, 0 TO 100% (TYP.)

### Description

The G40 attenuator is a discrete hybrid design, which uses thin film manufacturing processes for accurate performance and high reliability.

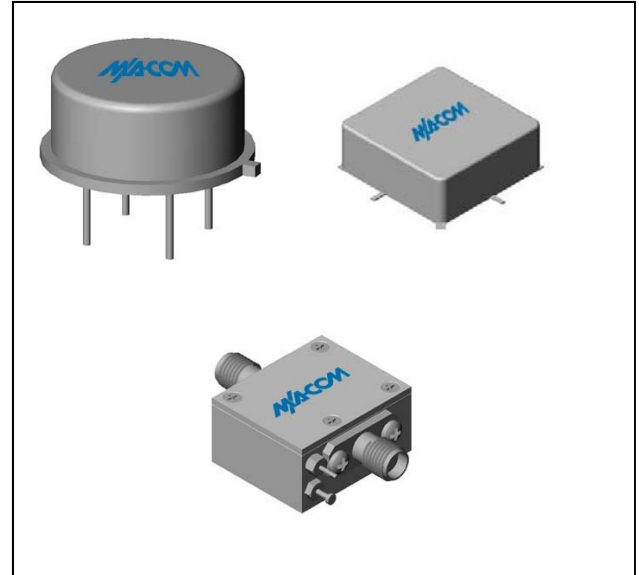
This design uses three pin diodes to provide a non linear attenuation response across a broadband frequency range. Both TO-8 and Surface Mount packages are hermetically sealed, and MIL-STD-883 environmental screening is available.

### Ordering Information

Part Number	Package
G40	TO-8
SMG40	Surface Mount
CG40 **	SMA Connectorized

\*\* The connectorized version is not RoHs compliant.

### Product Image



### Electrical Specifications: $Z_0 = 50\Omega$ , $V_{CC} = +15 V_{DC}$

Parameter	Units	Typical	Guaranteed	
		25°C	0° to 50°C	-54° to +85°C*
Frequency	MHz	500-4200	500-4000	500-4000
Maximum Attenuation Available (min)	500-1000 MHz	>39	34	33
	1000-2000 MHz	>33	28	27
	2000-3000 MHz	>30	25	24
	3000-4000 MHz	>28	23	22
Insertion Loss	500-2000 MHz	2.2	3.0	3.5
	2000-4000 MHz	2.7	3.5	4.0
VSWR	500-3000 MHz	<1.7:1	2.2:1	2.3:1
	3000-4000 MHz	<1.7:1	2.2:1	2.3:1
Flatness Over Frequency (max) (Attenuation = min to 15 dB, 500-1000 MHz)	500-3000 MHz	$\pm 0.3$	$\pm 0.8$	$\pm 1.0$
	500-4000 MHz	$\pm 1.2$	$\pm 1.6$	$\pm 2.0$
Switching Speed (max.)	10% - 90%	<0.5	0.8	0.9
	0% - 100%	<2	4	5
Bias Voltage	Volts	+15	+15	+15
Bias Current (max)	mA	9.5	12	13
Control Voltage	Volts	0 to +15	0 to +15	0 to +15
Control Current (max)	mA	6	10	11

\*Over temperature performance limits for part number CG40, guaranteed from 0°C to +50°C only.

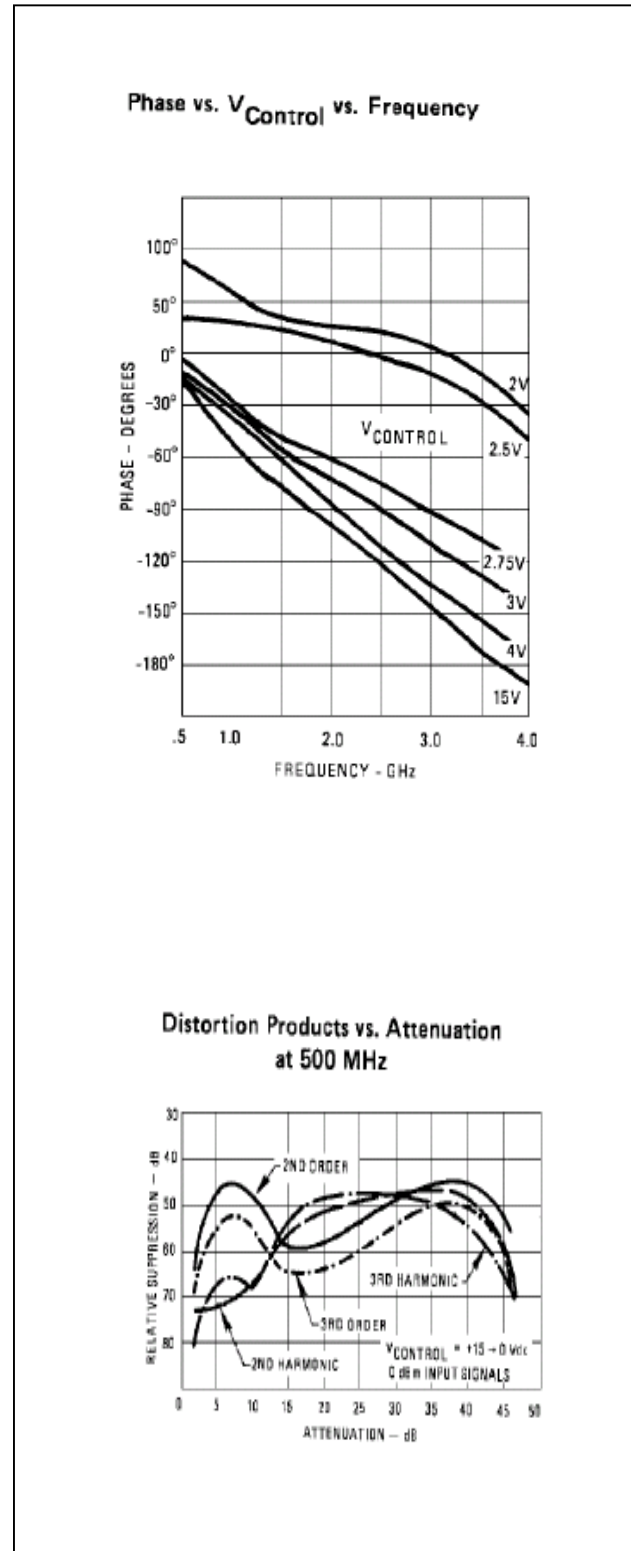
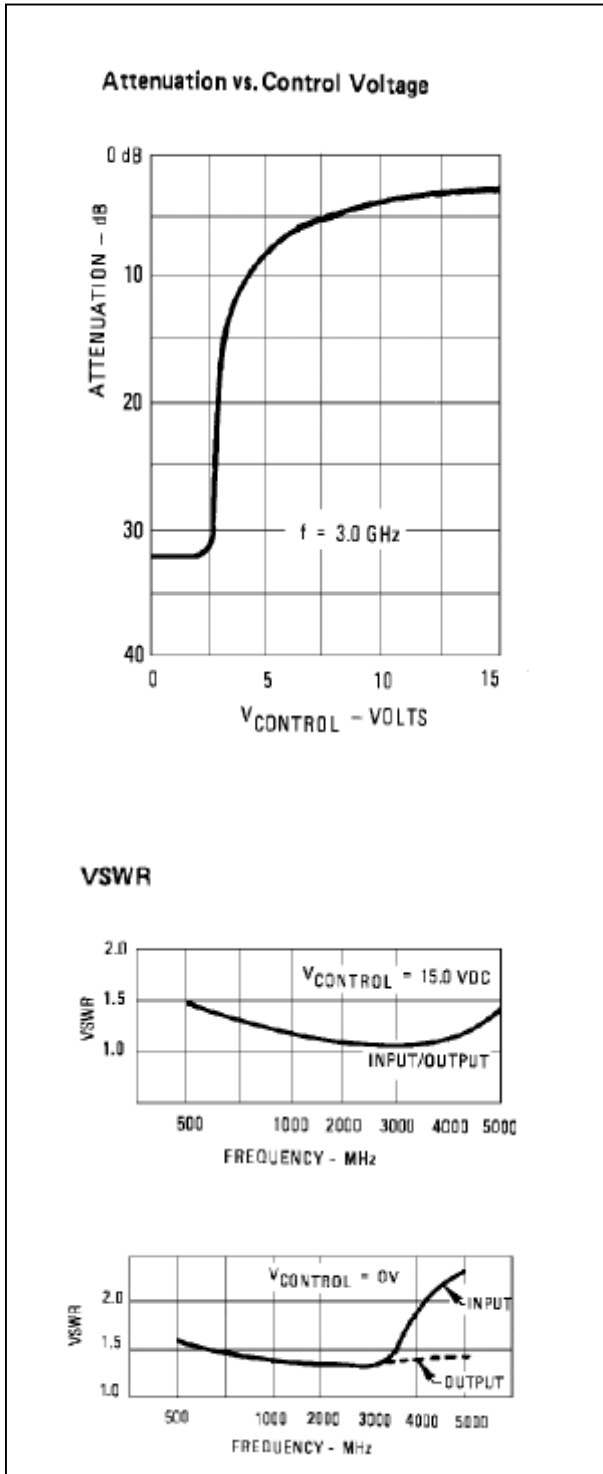
1

**ADVANCED:** Data Sheets contain information regarding a product M/A-COM Technology Solutions is considering for development. Performance is based on target specifications, simulated results, and/or prototype measurements. Commitment to develop is not guaranteed.  
**PRELIMINARY:** Data Sheets contain information regarding a product M/A-COM Technology Solutions has under development. Performance is based on engineering tests. Specifications are typical. Mechanical outline has been fixed. Engineering samples and/or test data may be available. Commitment to produce in volume is not guaranteed.

• **North America** Tel: 800.366.2266 • **Europe** Tel: +353.21.244.6400  
 • **India** Tel: +91.80.4155721 • **China** Tel: +86.21.2407.1588  
 Visit [www.macomtech.com](http://www.macomtech.com) for additional data sheets and product information.

M/A-COM Technology Solutions Inc. and its affiliates reserve the right to make changes to the product(s) or information contained herein without notice.

## Typical Performance Curves at +25°C

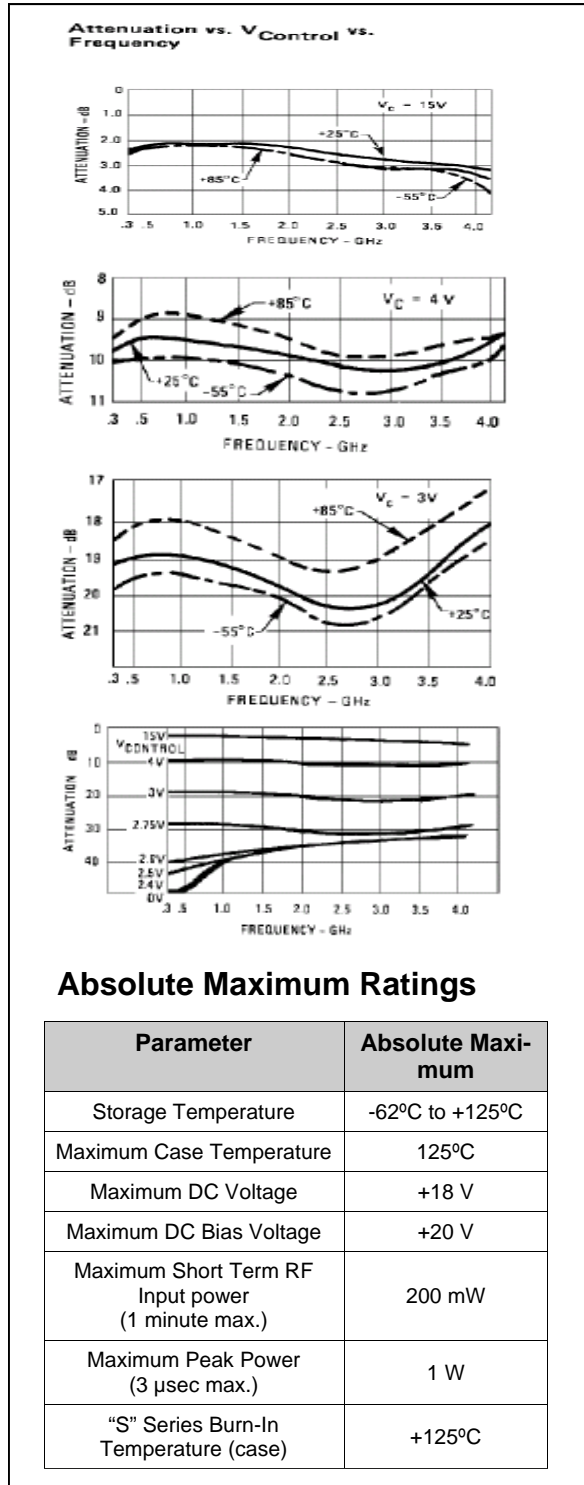


# G40 / SMG40

## Voltage-Controlled Attenuator Module 500 to 4000 MHz

Rev. V3

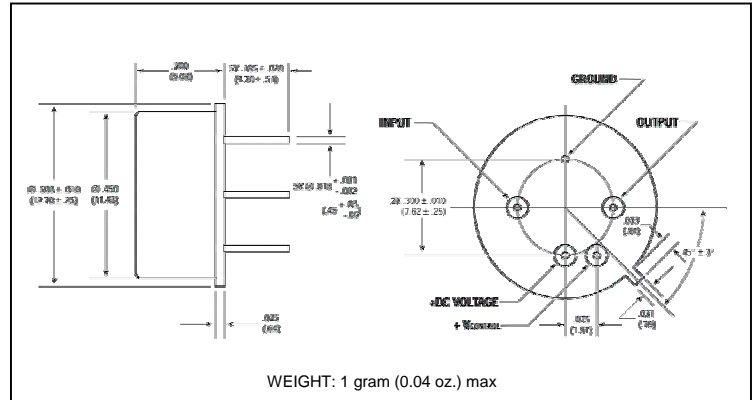
### Typical Performance Curves at +25°C



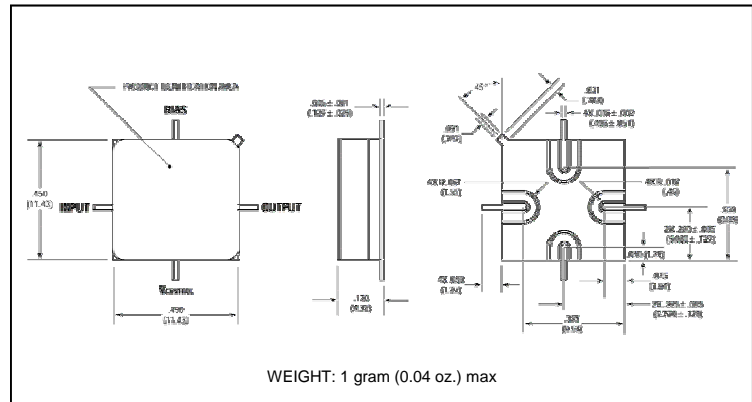
### Absolute Maximum Ratings

Parameter	Absolute Maximum
Storage Temperature	-62°C to +125°C
Maximum Case Temperature	125°C
Maximum DC Voltage	+18 V
Maximum DC Bias Voltage	+20 V
Maximum Short Term RF Input power (1 minute max.)	200 mW
Maximum Peak Power (3 $\mu$ sec max.)	1 W
"S" Series Burn-In Temperature (case)	+125°C

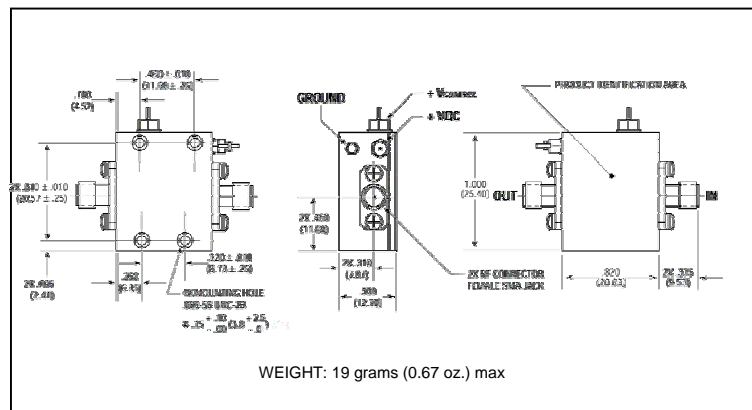
### Outline Drawing: TO-8 \*



### Outline Drawing: Surface Mount \*



### Outline Drawing: SMA Connectorized \*



\* Dimensions are inches (millimeters)  $\pm 0.015$  (0.38) unless otherwise specified.