

## GaAs Broadband 75 Ohm Default-On, SPDT Terminated Switch DC - 2.5 GHz

Rev. V1

### Features

- Ideal for CATV, DTV, DVR, STB Applications
- Default-On in Unpowered State (RFC-RF1 Path)
- Broadband Performance: DC-2.5 GHz
- Low Insertion Loss: 1.1 dB at 1 GHz
- High Isolation: > 60dB @ 100MHz
- Single Control Operation
- Power Handling: > 20 dBm P1dB
- Lead-Free 3 mm 12-lead PQFN Package
- 100% Matte Tin Plating over Copper
- Halogen-Free "Green" Mold Compound
- RoHS\* Compliant and 260°C Reflow Compatible
- Configurable for Non-terminated Operation

### Description

M/A-COM's MASWSS0201 is a broadband GaAs PHEMT MMIC SPDT terminated switch in a low cost, lead-free 3 mm 12-lead PQFN package. The MASWSS0201 is ideally suited for applications where an unpowered on state is critical in a single control line SPDT terminated switch. The unpowered condition is the same as the  $V_C = 0$  condition. This part can also be configured as a reflective switch with minimal impact to the RF performance.

The MASWSS0201 delivers high isolation, low insertion loss and high linearity up to 2.5 GHz.

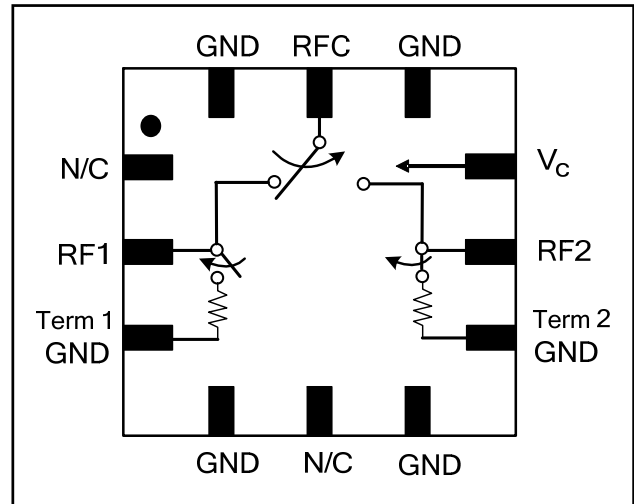
The MASWSS0201 is fabricated using a 0.5 micron gate length GaAs E/D PHEMT process. The process features full passivation for performance and reliability.

### Ordering Information <sup>1</sup>

Part Number	Package
MASWSS0201TR-3000	3000 piece reel
MASWSS0201SMB	Sample Test Board (Includes 5 Samples)

1. Reference Application Note M513 for reel size information.

### Functional Schematic



### Pin Configuration <sup>2</sup>

Pin No.	Pin Name	Description
1	N/C	No Connection
2	RF1	RF Port 1
3	Term 1 GND <sup>3</sup>	Termination 1 Ground
4	GND	Ground
5	N/C	No Connection
6	GND	Ground
7	Term 2 GND <sup>3</sup>	Termination 2 Ground
8	RF2	RF Port 2
9	VC	Control
10	GND	Ground
11	RFC	RF Input
12	GND	Ground
13	Paddle <sup>4</sup>	RF and DC Ground

2. M/A-COM recommends that all unused (N/C) pins be connected to ground. All data on this datasheet was taken with N/C pins connected to ground.
3. Terminated grounds require DC blocking capacitors; see application schematic.
4. The exposed pad centered on the package bottom must be connected to RF and DC ground.

\* Restrictions on Hazardous Substances, European Union Directive 2002/95/EC.

## GaAs Broadband 75 Ohm Default-On, SPDT Terminated Switch DC - 2.5 GHz

Rev. V1

**Electrical Specifications:  $T_A = 25^\circ\text{C}$ ,  $Z_0 = 75 \Omega$ ,  $V_C = 0 \text{ V}/3 \text{ V}$ ,  $P_{IN} = 0 \text{ dBm}$ <sup>5</sup>**

Parameter	Test Conditions	Units	Min.	Typ.	Max.
Insertion Loss RFC to RF1 ( $V_C = 0\text{V}$ )	100 MHz	dB	—	0.9	1.75
	1.0 GHz	dB	—	1.0	1.85
	2.0 GHz	dB	—	1.3	—
Insertion Loss RFC to RF2 ( $V_C = 3\text{V}$ )	100 MHz	dB	—	1.0	1.65
	1.0 GHz	dB	—	1.2	1.85
	2.0 GHz	dB	—	1.5	—
Isolation	100 MHz	dB	60	65	—
	1.0 GHz	dB	40	45	—
	2.0 GHz (RFC - RF1)	dB	—	38	—
	2.0 GHz (RFC - RF2)	dB	—	43	—
Return Loss	DC - 2.0 GHz	dB	—	25	—
IIP2 ( $V_C = 0\text{V} / 3\text{V} / 5\text{V}$ )	Two Tone, +5 dBm/Tone, 10 MHz Spacing	dBm	—	54 / 51 / 53	—
	100 MHz				
IIP3 ( $V_C = 0\text{V} / 3\text{V} / 5\text{V}$ )	Two Tone, +5 dBm/Tone, 10 MHz Spacing	dBm	—	38 / 38 / 39	—
	1.0 GHz				
Input P1dB ( $V_C = 0\text{V} / 3\text{V} / 5\text{V}$ )	100 MHz	dBm	—	21 / 21 / 22	—
	1.0 GHz				
T-rise	10% to 90% RF	$\mu\text{S}$	—	1.4	—
T-fall	90% to 10% RF	nS	—	12	—
Ton	50% control to 90% RF	$\mu\text{S}$	—	1.6	—
Toff	50% control to 10% RF	nS	—	12	—
Transients	—	mV	—	550	—
Control Current	$V_C = 3\text{V}$	$\mu\text{A}$	—	250	500

5. Electrical specifications apply to terminated configuration only.

### Absolute Maximum Ratings<sup>6,7</sup>

Parameter	Absolute Maximum
Input Power @ 100 MHz	+22 dBm
Input Power @ 1 GHz	+29 dBm
Operating Voltage	+8.5 volts
Operating Temperature	-40°C to +85°C
Storage Temperature	-65°C to +150°C

6. Exceeding any one or combination of these limits may cause permanent damage to this device.  
7. M/A-COM does not recommend sustained operation near these survivability limits.

### Truth Table<sup>8,9,10</sup>

Control $V_C$	RFC-RF1	RFC-RF2
0	On	Off
1	Off	On

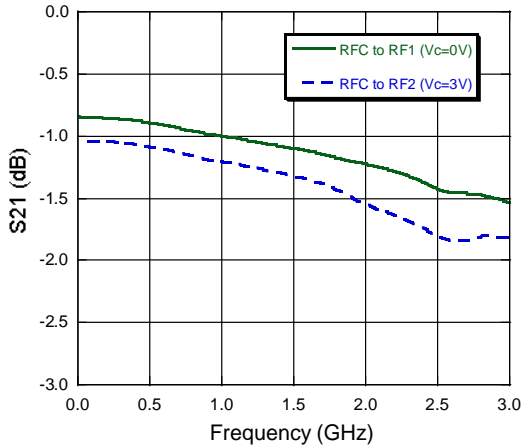
8. External DC blocking capacitors are required on all RF ports.  
9. 0 =  $0 \pm 0.1 \text{ V}$ , 1 = +2.9 V to +5 V.  
10. The unpowered on state is the same as  $V_C=0$ .

## GaAs Broadband 75 Ohm Default-On, SPDT Terminated Switch DC - 2.5 GHz

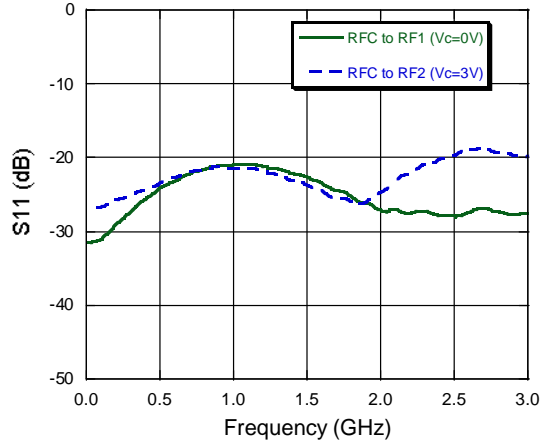
Rev. V1

**Typical Performance Curves:  $T_A = 25^\circ\text{C}$ ,  $Z_0 = 75 \Omega$ , Components per Application Schematic**

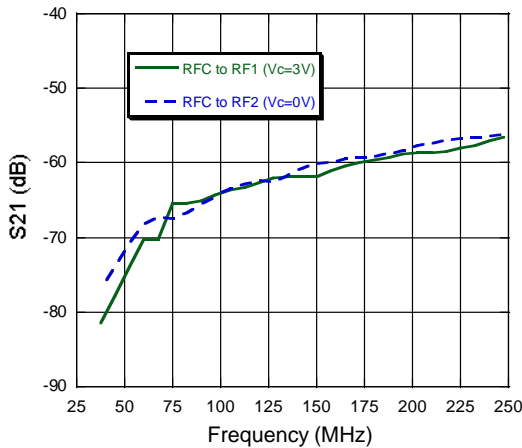
### Insertion Loss



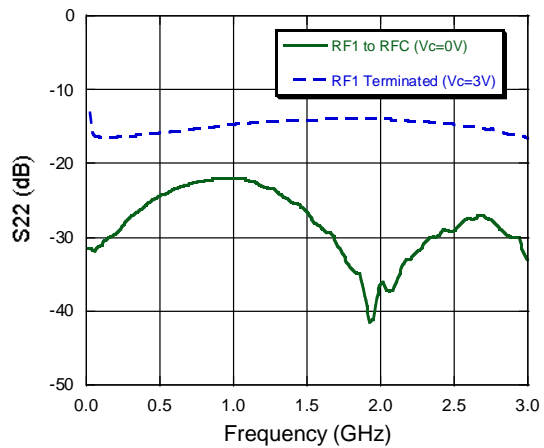
### RF Return Loss



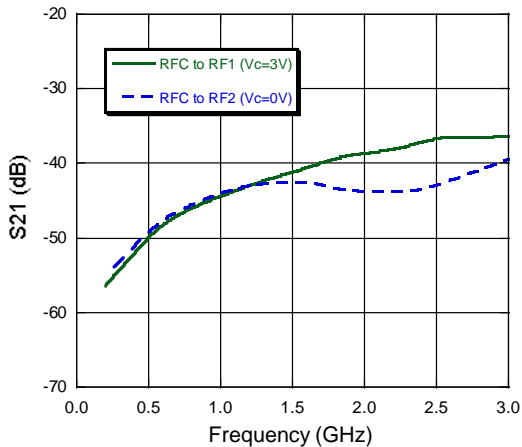
### Isolation (Below 200 MHz)



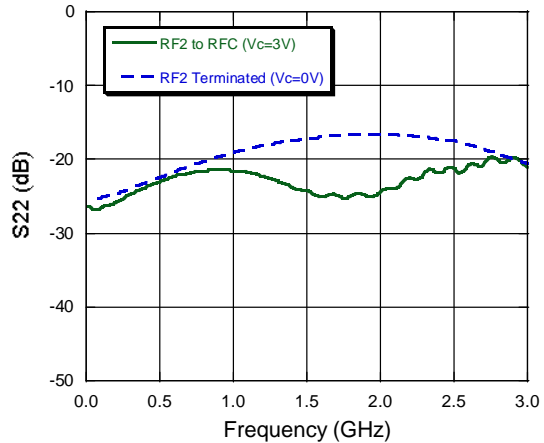
### RF1 Return Loss



### Isolation (Above 200 MHz)



### RF2 Return Loss



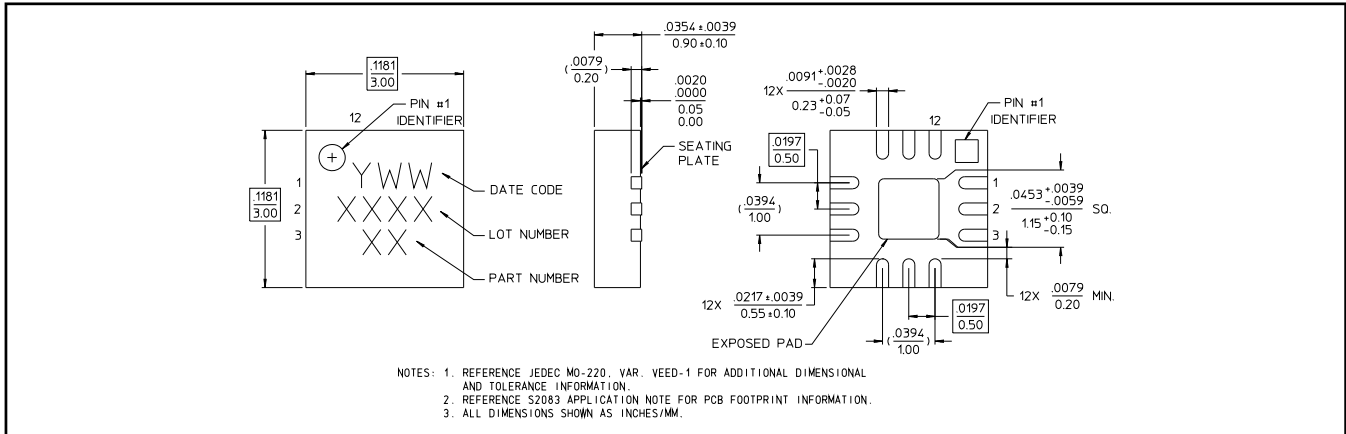
**ADVANCED:** Data Sheets contain information regarding a product M/A-COM Technology Solutions is considering for development. Performance is based on target specifications, simulated results, and/or prototype measurements. Commitment to develop is not guaranteed.  
**PRELIMINARY:** Data Sheets contain information regarding a product M/A-COM Technology Solutions has under development. Performance is based on engineering tests. Specifications are typical. Mechanical outline has been fixed. Engineering samples and/or test data may be available. Commitment to produce in volume is not guaranteed.

- **North America** Tel: 800.366.2266 / Fax: 978.366.2266
- **Europe** Tel: 44.1908.574.200 / Fax: 44.1908.574.300
- **Asia/Pacific** Tel: 81.44.844.8296 / Fax: 81.44.844.8298

Visit [www.macomtech.com](http://www.macomtech.com) for additional data sheets and product information.

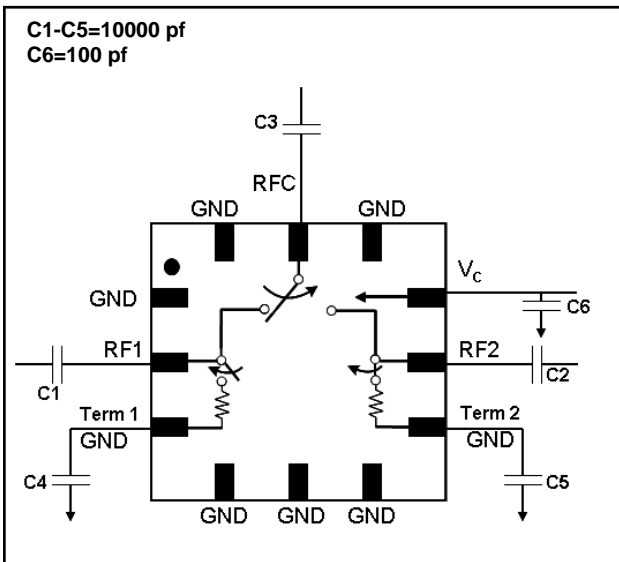
M/A-COM Technology Solutions Inc. and its affiliates reserve the right to make changes to the product(s) or information contained herein without notice.

## Lead-Free 3 mm 12-lead PQFN†



† Reference Application Note M538 for lead-free solder reflow recommendations.  
Meets JEDEC moisture sensitivity level 1 requirements.

## Application Schematic<sup>11,12</sup>



- Non-connected pins (P1 and P5) are shown connected to ground as recommended. All data on this datasheet was taken with N/C pins connected to ground.
- Application schematic shown is for terminated configuration. For non-terminated operation Term 1 and Term 2 ground pins are left open. See application section for data in unterminated configuration.

## Qualification

Qualified to M/A-COM specification REL-201, Process Flow -2.

## Handling Procedures

Please observe the following precautions to avoid damage:

## Static Sensitivity

Gallium Arsenide Integrated Circuits are sensitive to electrostatic discharge (ESD) and can be damaged by static electricity. Proper ESD control techniques should be used when handling these devices.

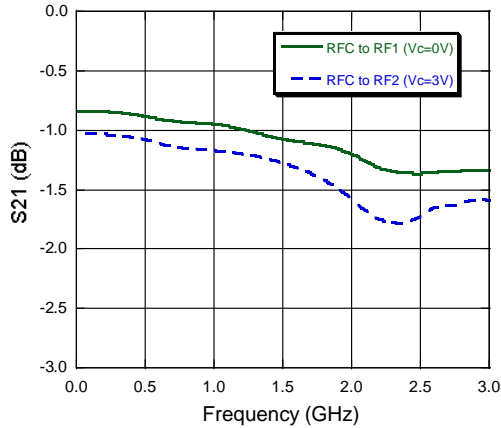
M/A-COM's AN3007 Application Note outlines a method for ESD sensitivity mitigation. It can be found at the Tech/Apps section of the MACOM.COM website.

## Application Section

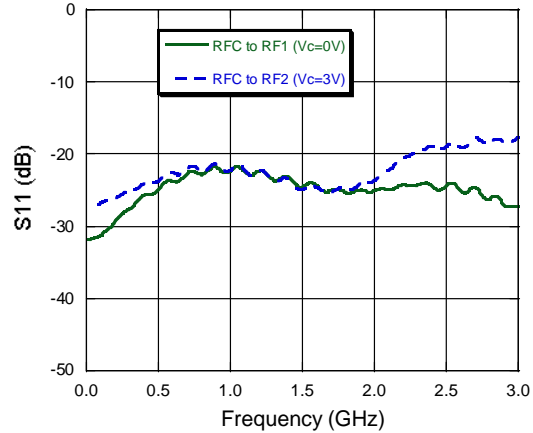
### Typical Performance Curves:

$T_A = 25^\circ\text{C}$ ,  $Z_0 = 75 \Omega$ , Unterminated Configuration (Term 1&2 GND pins open)

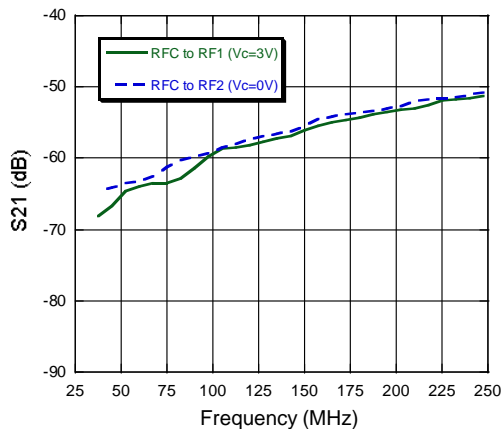
#### Insertion Loss



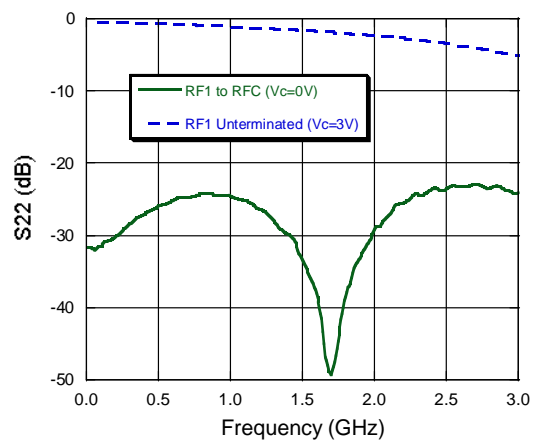
#### RFC Return Loss



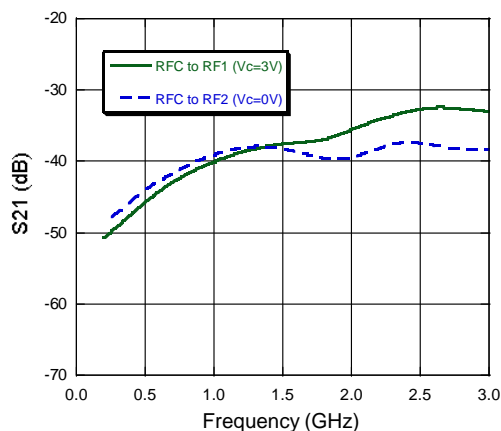
#### Isolation (Below 200 MHz)



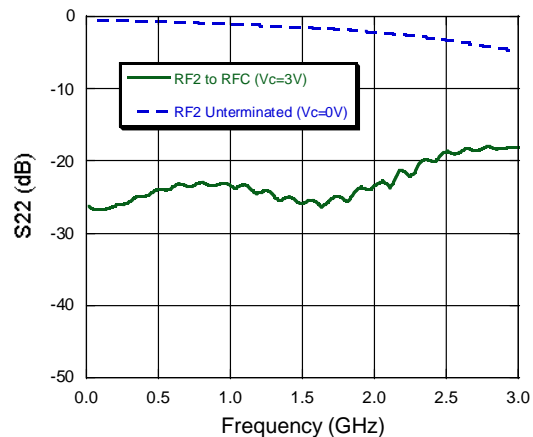
#### RF1 Return Loss



#### Isolation (Above 200 MHz)



#### RF2 Return Loss



## Application Section

### Application Schematic – Unterminated Configuration

