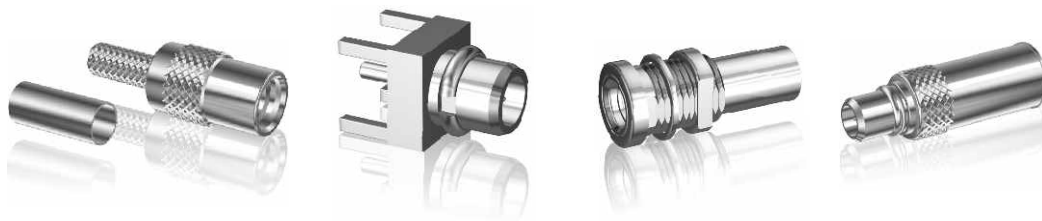


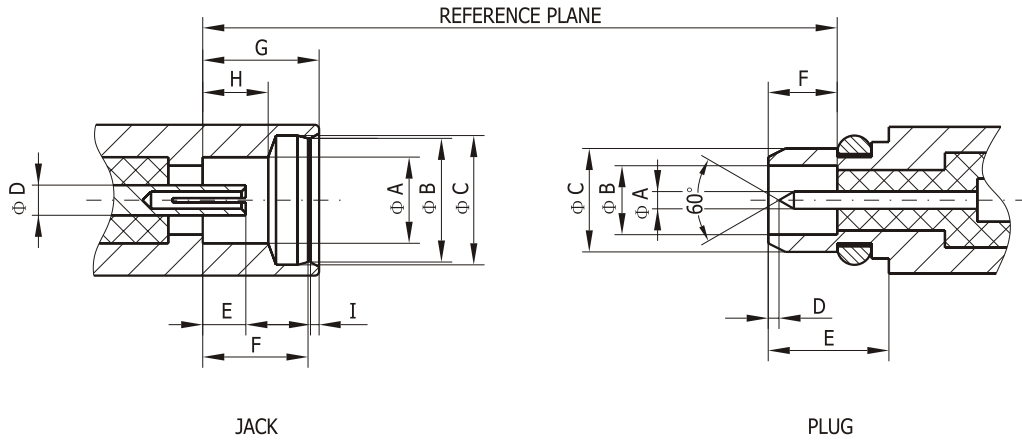
Series MMCX are snap-on coupling microminiature coaxial connectors and developed as smaller version of MCX connectors. The reliable snap-on coupling mechanism can ensure the electrical parameters to be reproduced consistently. Due to their non-slotted contact, this series connectors can provide a low R.F leakage in R.F circuits. The interface dimensions and technical characteristics are in accord with the specifications Of CECC22340.



| | | KEY PERFORMANCE | |
|--------------------------|-----------|---------------------------------|-------------------------|
| Temperature range | -40~+90℃ | Insulation resistance | ≥ 1000MΩ |
| Characteristic impedancd | 50 Ω | Dielectric Withstanding voltage | 500V(rms) |
| Frequency range | 0~6GHz | Contact resistance | Center conductor ≤ 10mΩ |
| Working voltage | 170V(rms) | | Outer conductor ≤ 5mΩ |
| VSWR | ≤1.25 | Durability | 500 Cycles |

| | | MATERIAL AND PLATING |
|------------------------|--|------------------------------------|
| Body | | Brass,gold plated |
| Male center contacts | | phosphor bronze,gold plated |
| Female center contacts | | Beryllium copper,gold plated |
| Insulators | | PTFE |
| Crimp ferrules | | Copper alloy,nickel or gold plated |

Interface Dimensions in mm

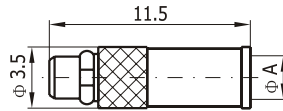


| Letter | Jack(female) | | Plug(male) | |
|--------|--------------|---------|------------|---------|
| | Minimum | Maximum | Minimum | Maximum |
| A | 2.41 | — | 0.38 | 0.42 |
| B | 2.84 | 2.90 | 1.58 | 1.62 |
| C | 3.00 | 3.04 | — | 2.40 |
| D | 0.71 | — | 0.00 | 0.25 |
| E | 0.90 | 1.20 | 2.70 | — |
| F | 2.30 | 2.34 | 1.45 | — |
| G | 2.60 | — | | |
| H | 1.57 | 1.63 | | |
| I | — | 0.23 | | |

1 . Semi-rigid Cable connectors

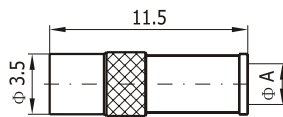
Straight Cable Plugs

| Product No. | Apply cable | Notes |
|-------------|-------------|-------|
| 111A-7661 | .047 | A=1.6 |
| 111A-7662 | .086 | A=2.2 |



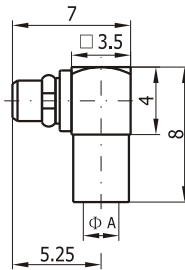
Straight Cable Jacks

| Product No. | Apply cable | Notes |
|-------------|-------------|-------|
| 112A-7661 | .047 | A=1.6 |
| 112A-7662 | .086 | A=2.2 |



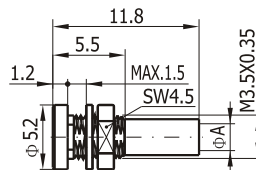
Right Angle Cable Plugs

| Product No. | Apply cable | Notes |
|-------------|-------------|-------|
| 113A-7661 | .047 | A=1.6 |
| 113A-7662 | .086 | A=2.2 |



Straight Bulkhead Cable Jacks

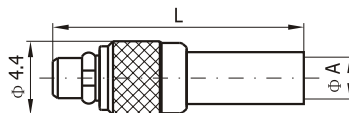
| Product No. | Apply cable | Mounting Hole | Notes |
|-------------|-------------|---------------|-------|
| 112A-2661 | .047 | H29 | A=1.6 |
| 112A-2662 | .086 | H29 | A=2.2 |



2. Flexible Cable Connectors

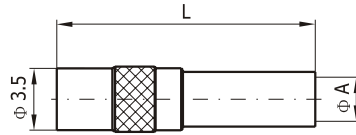
Straight Cable Plugs

| Product No. | Apply cable | Notes |
|-------------|-------------|--------------|
| 111A-7501 | 2/50S | A=2.5 L=15.0 |
| 111A-7502 | 2.5/3/50S | A=3.1 L=15.0 |
| 111A-7503 | 2.5/50D | A=3.4 L=16.0 |



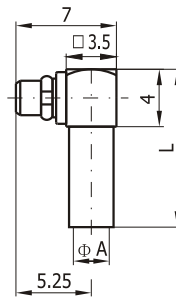
Straight Cable Jacks

| Product No. | Apply cable | Notes |
|-------------|-------------|--------------|
| 112A-7501 | 2/50S | A=2.5 L=15.0 |
| 112A-7502 | 2.5/3/50S | A=3.1 L=15.0 |
| 112A-7503 | 2.5/50D | A=3.4 L=16.0 |



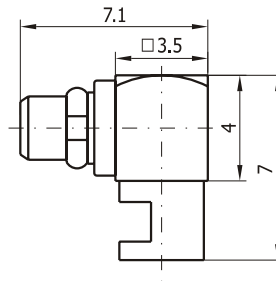
Right Angle Cable Plugs

| Product No. | Apply cable | Notes |
|-------------|-------------|--------------|
| 113A-7501 | 2/50S | A=2.5 L=11.0 |
| 113A-7502 | 2.5/3/50S | A=3.1 L=11.0 |
| 113A-7503 | 2.5/50D | A=3.4 L=12.0 |



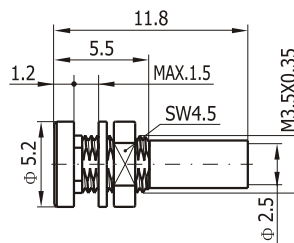
Right Angle Cable Plugs

| Product No. | Apply cable | Notes |
|-------------|-------------|-------|
| 113A-7663 | 2.5/50S | |



Straight Bulkhead Cable Jacks

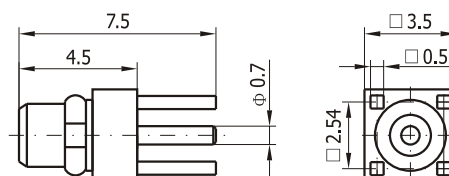
| Product No. | Apply cable | Mounting Hole | Notes |
|-------------|-------------|---------------|-------|
| 112A-2501 | 2/50S | H29 | |



3. PCB connectors

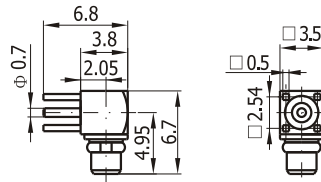
Straight PCB Plugs

| Product No. | Mounting Hole | Notes |
|-------------|---------------|-------|
| 111A-4801 | H60 | |



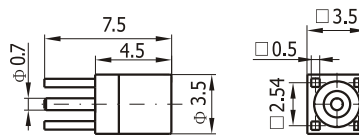
Right Angle PCB Plugs

| Product No. | Mounting Hole | Notes |
|-------------|---------------|-------|
| 113A-4801 | H60 | |



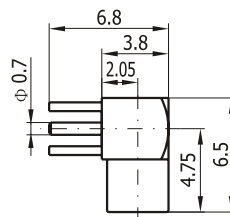
Straight PCB Jacks

| Product No. | Mounting Hole | Notes |
|-------------|---------------|-------|
| 112A-4801 | H60 | |



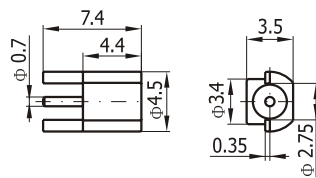
Right Angle PCB Jacks

| Product No. | Mounting Hole | Notes |
|-------------|---------------|-------|
| 114A-4801 | H60 | |



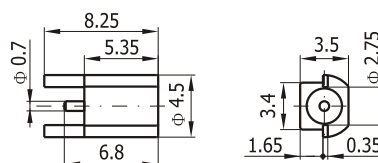
Edge Surface Mount Jacks

| Product No. | Mounting Hole | Notes |
|-------------|---------------|-------|
| 112A-6801 | H100 | |



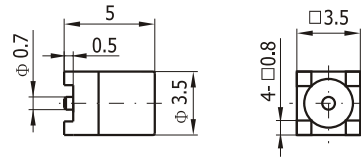
Edge Surface Mount Jacks

| Product No. | Mounting Hole | Notes |
|-------------|---------------|-------|
| 112A-6802 | H100 | |



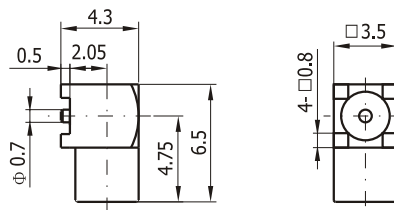
Vertical Surface Mount Jacks

| Product No. | Mounting Hole | Notes |
|-------------|---------------|-------|
| 112A-6803 | H58 | |



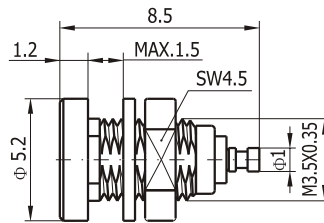
Right Angle Surface Mount Jacks

| Product No. | Mounting Hole | Notes |
|-------------|---------------|-------|
| 114A-6801 | H58 | |



4. Bulkhead Mount connectors
 Straight Bulkhead Jacks

| Product No. | Mounting Hole | Notes |
|-------------|---------------|-------|
| 112A-2801 | H29 | |



Series MCX(OSX) are snap-on coupling micro-miniature coaxial connectors with 30% smaller size than SMB connectors. Which are sure to fit most applications where space, weight, performance and easy to assembly are required in RF circuits of mobile and fixed communication system.

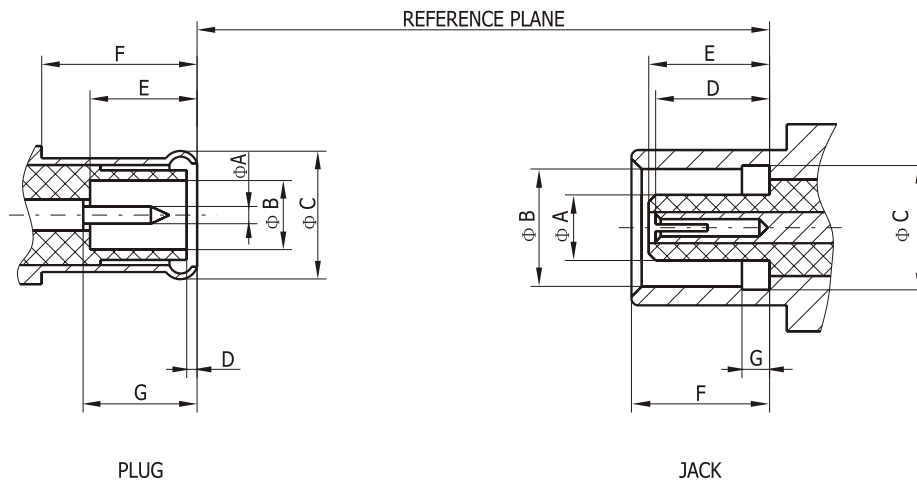
The interface dimensions and technical characteristics are in accord with the specifications of CECC 22220.



| | | KEY PERFORMANCE | |
|--------------------------|------------------------------|---------------------------------|--------------------------|
| Temperature range | -65~+155℃ | Insulation resistance | ≥1000MΩ |
| Characteristic impedance | 50Ω/75Ω | Dielectric Withstanding voltage | 750V(rms) |
| Frequency range | 0~6GHz(50Ω) 0~1.5GHz(75Ω) | VSWR | ≤1.20(50Ω) ≤1.35(75Ω) |
| Voltage rating | 335V(rms) | Insertion loss: | 0.1dB at 1GHz |
| Contact resistance | Center conductor | ≤5mΩ | Durability |
| | Outer conductor | ≤2.5mΩ | |

| | | MATERIAL AND PLATING |
|------------------------|--|-------------------------------------|
| Body | | Brass, gold plated |
| Male center contacts | | Brass, gold plated |
| Female center contacts | | Beryllium copper, gold plated |
| Insulators | | PTFE |
| Crimp ferrules | | Copper alloy, nickel or gold plated |
| Spring contacts | | Beryllium copper, gold plated |

Interface Dimensions in mm

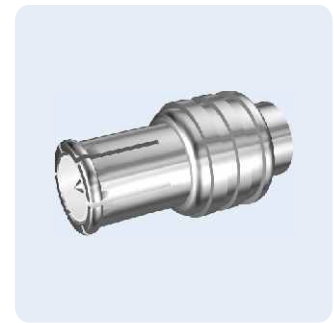
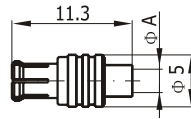


| Letter | Plug(male) | | Jack(female) | |
|--------|------------|---------|--------------|---------|
| | Minimum | Maximum | Minimum | Maximum |
| A | 0.48 | 0.53 | 1.80 | 1.97 |
| B | 2.00 | 2.07 | 3.43 | 3.48 |
| C | 3.66 | 3.76 | 3.61 | 3.75 |
| D | 0.00 | 0.30 | 2.31 | 2.79 |
| E | 2.81 | 3.20 | 2.61 | 2.79 |
| F | 4.15 | — | 4.00 | 4.12 |
| G | 2.81 | 3.20 | 0.75 | 0.85 |

1 . Semi-rigid Cable connectors

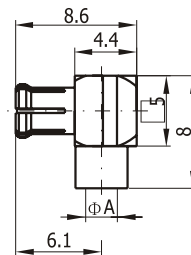
Straight Cable Plugs

| Product No. | Apply cable | Notes |
|-------------|-------------|-------|
| 121A-7661 | .047 | A=1.3 |
| 121A-7662 | .086 | A=2.2 |



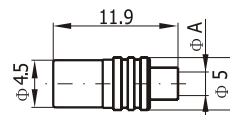
Right Angle Cable Plugs

| Product No. | Apply cable | Notes |
|-------------|-------------|-------|
| 123A-7661 | .047 | A=1.3 |
| 123A-7662 | .086 | A=2.2 |



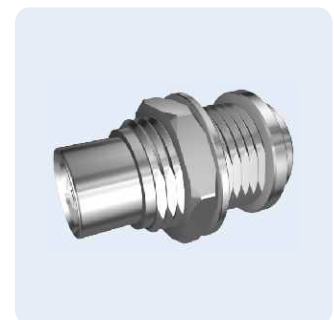
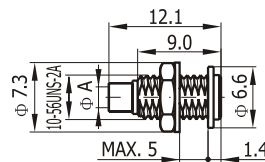
Straight Cable Jacks

| Product No. | Apply cable | Notes |
|-------------|-------------|-------|
| 122A-7661 | .047 | A=1.3 |
| 122A-7662 | .086 | A=2.2 |



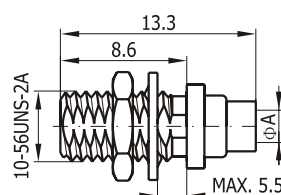
Straight Bulkhead Cable Jacks

| Product No. | Apply cable | Mounting Hole | Notes |
|-------------|-------------|---------------|-------|
| 122A-2661 | .047 | H31 | A=1.3 |
| 122A-2662 | .086 | H31 | A=2.2 |



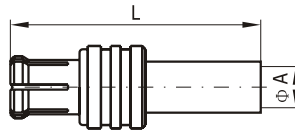
Straight Bulkhead Cable Jacks

| Product No. | Apply cable | Mounting Hole | Notes |
|-------------|-------------|---------------|-------|
| 122A-2663 | .047 | H31 | A=1.3 |
| 122A-2664 | .086 | H31 | A=2.2 |



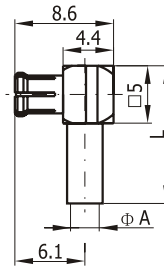
2 . Flexible Cable connectors Straight Cable Plugs

| Product No. | Apply cable | Notes |
|-------------|-------------|--------------|
| 121A-7501 | 2/50S | A=2.5 L=15.8 |
| 121A-7502 | 2.5/3/50S | A=3.1 L=16.3 |
| 121A-7503 | 2.5/50D | A=3.4 L=17.3 |



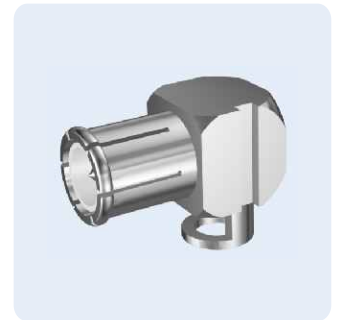
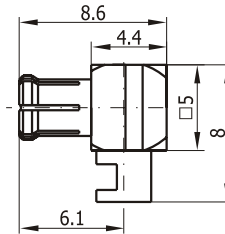
Right Angle Cable Plugs

| Product No. | Apply cable | Notes |
|-------------|-------------|--------------|
| 123A-7501 | 2/50S | A=2.5 L=12.5 |
| 123A-7502 | 2.5/3/50S | A=3.1 L=13.0 |
| 123A-7503 | 2.5/50D | A=3.4 L=14.0 |



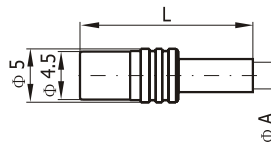
Right Angle Cable Plugs

| Product No. | Apply cable | Notes |
|-------------|-------------|-------|
| 123A-7663 | 2.5/50S | |



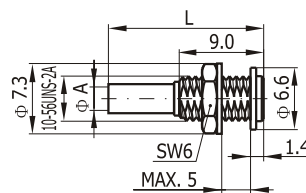
Straight Cable Jacks

| Product No. | Apply cable | Notes |
|-------------|-------------|--------------|
| 122A-7501 | 2/50S | A=2.5 L=16.7 |
| 122A-7502 | 2.5/3/50S | A=3.1 L=17.2 |
| 122A-7503 | 2.5/50D | A=3.4 L=18.2 |



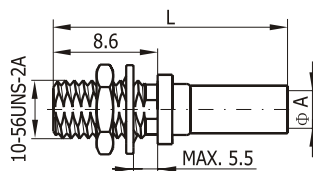
Straight Bulkhead Cable Jacks

| Product No. | Apply cable | Mounting Hole | Notes |
|-------------|-------------|---------------|--------------|
| 122A-2501 | 2/50S | H31 | A=2.5 L=17.6 |
| 122A-2502 | 2.5/3/50S | H31 | A=3.1 L=18.1 |
| 122A-2503 | 2.5/50D | H31 | A=3.4 L=19.1 |



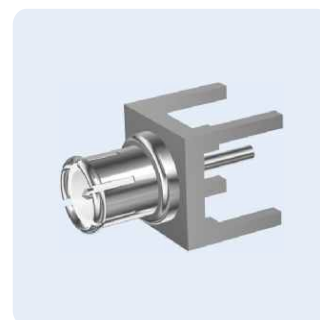
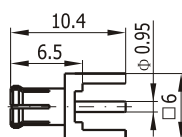
Straight Bulkhead Cable Jacks

| Product No. | Apply cable | Mounting Hole | Notes |
|-------------|-------------|---------------|--------------|
| 122A-2504 | 2/50S | H31 | A=2.5 L=18.8 |
| 122A-2505 | 2.5/3/50S | H31 | A=3.1 L=19.3 |
| 122A-2506 | 2.5/50D | H31 | A=3.4 L=20.3 |



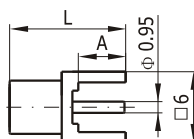
2. PCB Connectors Straight PCB Plugs

| Product No. | Mounting Hole | Notes |
|-------------|---------------|-------|
| 121A-4801 | H62 | |



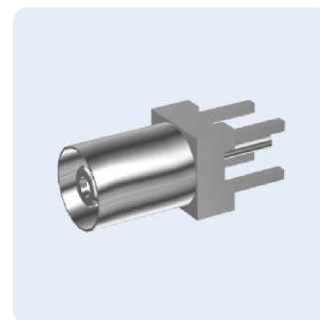
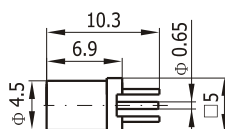
Straight PCB Jacks

| Product No. | Mounting Hole | Notes |
|-------------|---------------|-------------|
| 122A-4801 | H62 | A=3.9 L=9.8 |
| 122A-4802 | H62 | A=1.7 L=7.6 |
| 122A-4803 | H62 | A=2.9 L=8.8 |



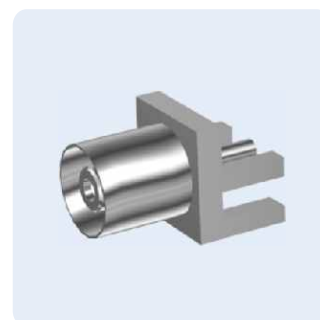
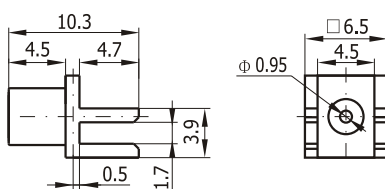
Straight PCB Jacks

| Product No. | Mounting Hole | Notes |
|-------------|---------------|-------|
| 122A-4804 | H60 | |



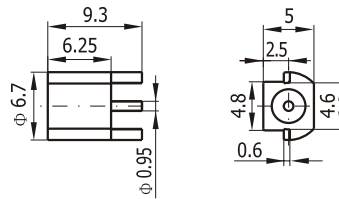
Straight PCB Jacks

| Product No. | Mounting Hole | Notes |
|-------------|---------------|-------|
| 122A-5801 | H104 | |



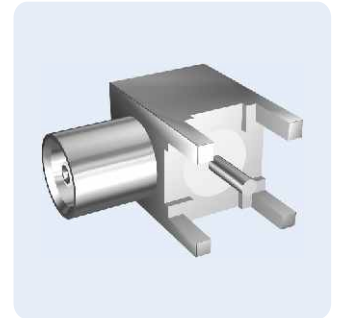
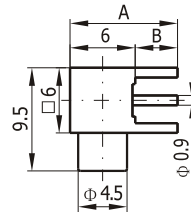
Edge Surface Mount Jacks

| Product No. | Mounting Hole | Notes |
|-------------|---------------|-------|
| 122A-6801 | H105 | |



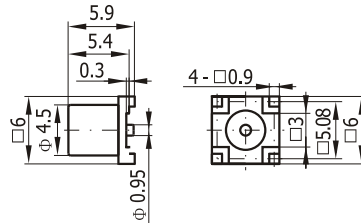
Right Angle Jacks

| Product No. | Mounting Hole | Notes |
|-------------|---------------|-------------|
| 124A-4801 | H62 | A=1.7 L=7.7 |
| 124A-4802 | H62 | A=2.9 L=8.9 |
| 124A-4803 | H62 | A=3.9 L=9.9 |



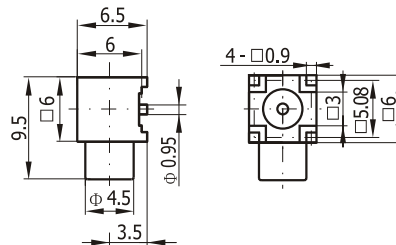
Vertical Surface Mount Jacks

| Product No. | Mounting Hole | Notes |
|-------------|---------------|-------|
| 122A-6801 | H57 | |

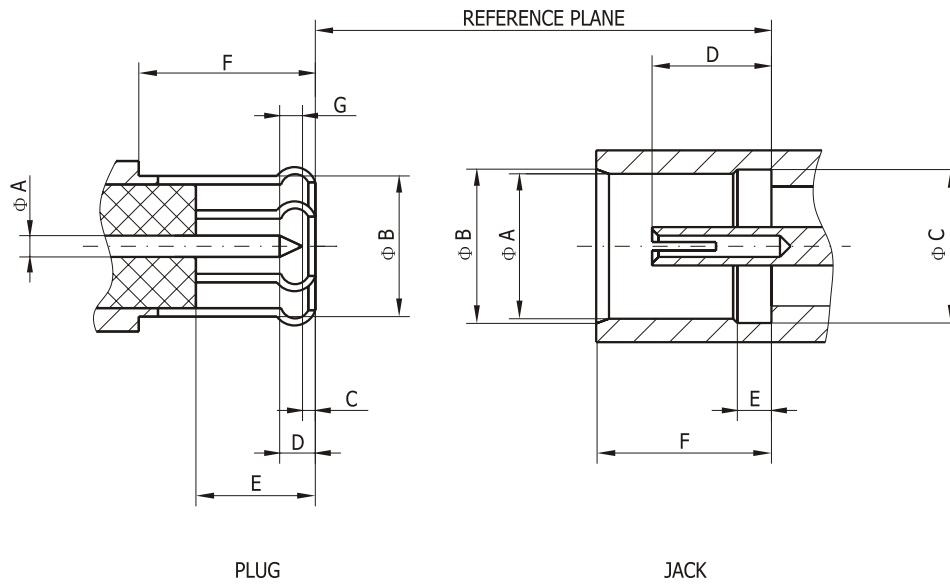


Right Angle Surface Mount Jacks

| Product No. | Mounting Hole | Notes |
|-------------|---------------|-------|
| 124A-6801 | H57 | |



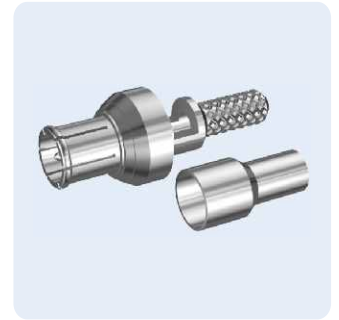
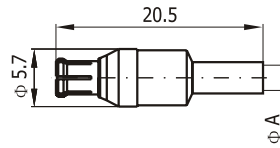
Interface Dimensions in mm



| Letter | Plug(male) | | Jack(female) | |
|--------|------------|---------|--------------|---------|
| | Minimum | Maximum | Minimum | Maximum |
| A | 0.48 | 0.53 | 3.42 | 3.48 |
| B | — | 3.43 | 3.81 | — |
| C | 0.15 | — | 3.60 | 3.76 |
| D | — | 1.19 | — | 2.80 |
| E | 2.79 | — | 0.75 | 0.85 |
| F | 4.14 | — | — | 4.11 |
| G | 0.25 | — | — | — |

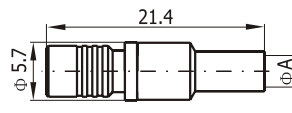
1. Flexible Cable connectors Straight Cable Plugs

| Product No. | Apply cable | Notes |
|-------------|-------------|-------|
| 711A-7501 | 2/75S | A=2.5 |
| 711A-7502 | 2.5/3/75S | A=3.1 |



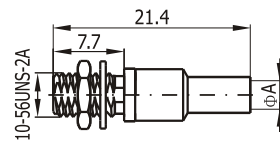
Straight Cable Jacks

| Product No. | Apply cable | Notes |
|-------------|-------------|-------|
| 712A-7501 | 2/75S | A=2.5 |
| 712A-7502 | 2.5/3/75S | A=3.1 |



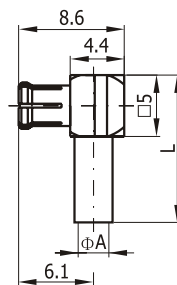
Straight Bulkhead Cable Jacks

| Product No. | Apply cable | Mounting Hole | Notes |
|-------------|-------------|---------------|-------|
| 712A-2501 | 2/75S | H31 | A=2.5 |
| 712A-2502 | 2.5/3/75S | H31 | A=3.1 |



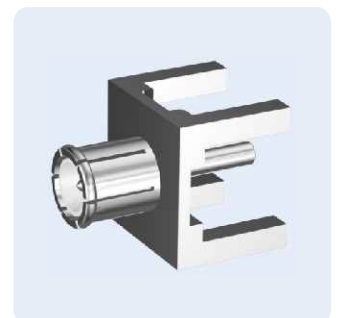
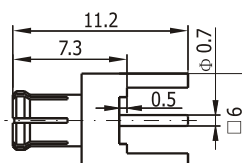
Right Angle Cable Plugs

| Product No. | Apply cable | Notes |
|-------------|-------------|--------------|
| 713A-7501 | 2/75S | A=2.5 L=12.5 |
| 713A-7502 | 2.5/3/75S | A=3.1 L=13.0 |



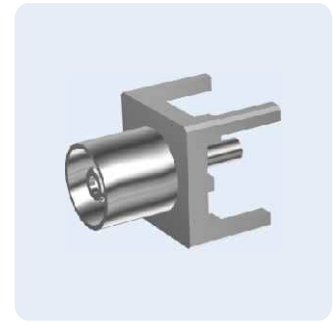
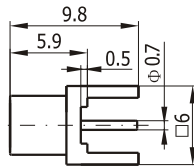
2. PCB connectors Straight PCB Plugs

| Product No. | Mounting Hole | Notes |
|-------------|---------------|-------|
| 711A-4801 | H62 | |



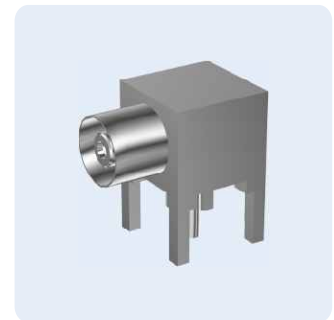
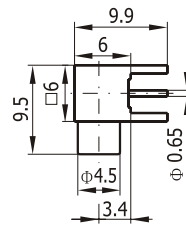
Straight PCB Jacks

| Product No. | Mounting Hole | Notes |
|-------------|---------------|-------|
| 712A-4801 | H62 | |



Right Angle PCB Jacks

| Product No. | Mounting Hole | Notes |
|-------------|---------------|-------|
| 714A-4801 | H62 | |



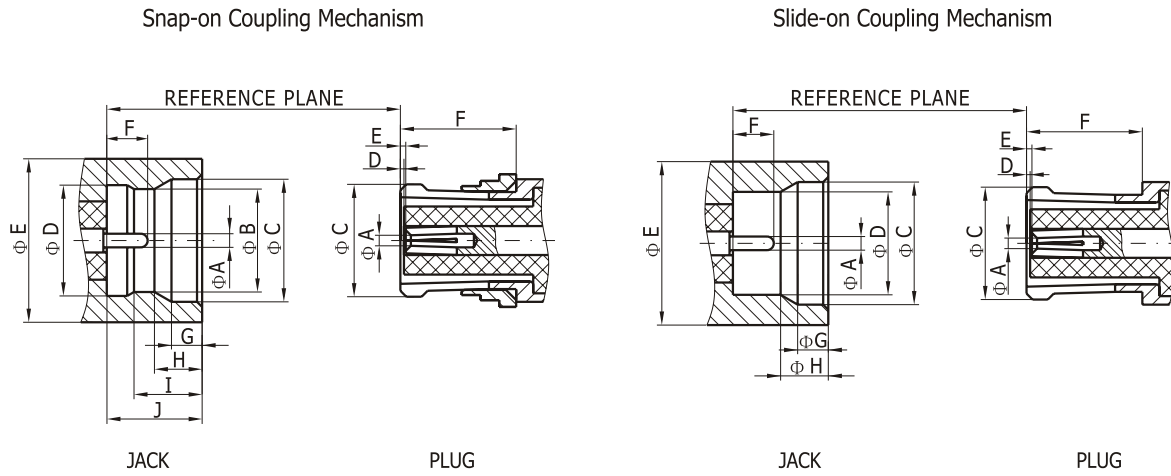
Series SMP are push-on coupling microminiature RF coaxial connectors developed for modular interconnect system with denser packaging requirements. Which have the excellent performances of easy connect/disconnect, light-weight, vibration-proof and high frequency range.



| | | KEY PERFORMANCE | | |
|--------------------------|----------------|---------------------------------|------------------|-------|
| Temperature range | -65~+165℃ | Insulation resistance | ≥ 5000MΩ | |
| Characteristic impedancd | 50Ω | Dielectric Withstanding voltage | 500V(rms) | |
| Frequency range | 0~40GHz | Contact resistance | Center conductor | ≤ 6mΩ |
| | | | Outer conductor | ≤ 2mΩ |
| VSWR | ≤1.10,0~23GHz | Durability | 500 Cycles | |
| | ≤1.15,23~26GHz | | | |
| | ≤1.40,26~40GHz | | | |

| | | MATERIAL AND PLATING |
|------------------------|--|--------------------------------------|
| Body | | Brass or phosphor bronze,gold plated |
| Male center contacts | | Phosphor bronze,gold plated |
| Female center contacts | | Beryllium copper,gold plated |
| Insulators | | PTFE |
| Gaskets | | Glass |
| Crimp ferrules | | Copper alloy,nickel or gold plated |

Interface Dimensions in mm

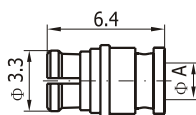


| Letter | Plug(female) | | Jack(male) | |
|--------|--------------|---------|------------|---------|
| | Minimum | Maximum | Minimum | Maximum |
| A | — | — | 0.356 | 0.406 |
| B | — | — | 2.896 | 2.996 |
| C | — | 3.43 | 3.557 | 3.657 |
| D | -0.07 | 0.12 | 3.125 | 3.225 |
| E | -0.07 | 0.20 | — | — |
| F | 3.35 | — | 0.890 | 1.778 |
| G | — | — | 0.839 | 0.939 |
| H | — | — | 1.397 | 1.447 |
| I | — | — | 1.982 | 2.082 |
| J | — | — | 2.744 | 2.844 |

1. Semi-rigid Cable connectors

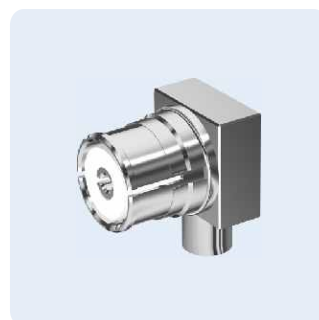
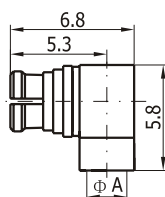
Straight Cable Plugs

| Product No. | Apply cable | Notes |
|-------------|-------------|-------|
| 132A-7661 | .047 | A=1.3 |
| 132A-7662 | .086 | A=2.2 |



Right Angle Cable Plugs

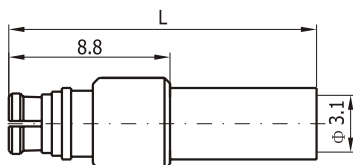
| Product No. | Apply cable | Notes |
|-------------|-------------|-------|
| 134A-7661 | .047 | A=1.3 |
| 134A-7662 | .086 | A=2.2 |



2. Flexible Cable connectors

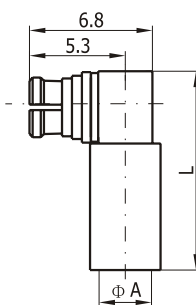
Straight Cable Plugs

| Product No. | Apply cable | Notes |
|-------------|-------------|--------------|
| 132A-7501 | 2/50S | L=16.3 A=2.5 |
| 132A-7502 | 2.5/3/50S | L=16.8 A=3.1 |
| 132A-7503 | 2.5/50D | L=17.8 A=3.4 |



Right Angle Cable Plugs

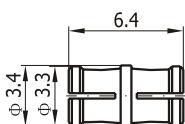
| Product No. | Apply cable | Notes |
|-------------|-------------|--------------|
| 134A-7501 | 2/50S | L=11.5 A=2.5 |
| 134A-7502 | 2.5/3/50S | L=12.0 A=3.1 |
| 134A-7503 | 2.5/50D | L=13.0 A=3.4 |



3. Adapters

Straight SMP Jack to Jack

| 产品编码 Product No. | 备注 Notes |
|---------------------|-------------|
| 130A-7931 | |



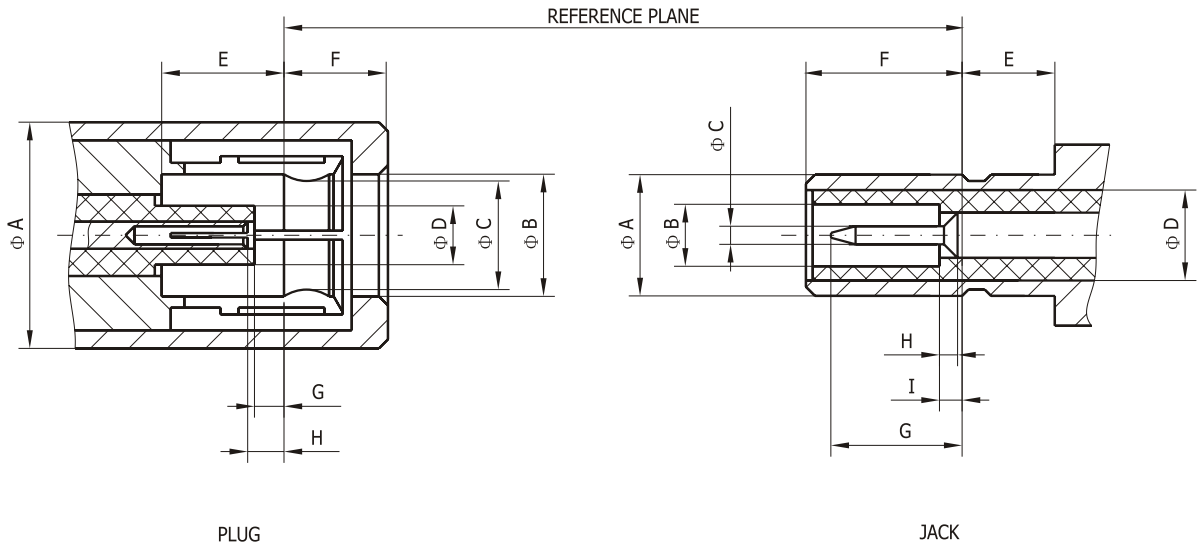
Series SSMB are snap-on coupling micro-miniature coaxial connectors, a smaller version of series SMB. Which have the excellent performances of light weight, small size, easy to connect/disconnect, vibration-proof and high reliability, are suitable for connecting R.F coaxial circuits and cables in microelectronic equipment and instruments. The interface dimensions and technical characteristics are in accord with the specifications of MIL-C-39012、IEC 169-19 and CECC 22170.



| | | | KEY PERFORMANCE | | |
|--------------------------|-------------|----------------|--------------------------------|------------------|------------|
| Temperature range | | -55~+155℃ | Insulation resistance | | ≥1000MΩ |
| Characteristic impedancd | | 50Ω | DielectricWithstanding voltage | | 500V(rms) |
| VSWR | Straight | ≤1.22 (0~1GHz) | Contact resistance | Center conductor | ≤5mΩ |
| | | ≤1.35 (1~3GHz) | | Outer conductor | ≤2.5mΩ |
| | Right angle | ≤1.50 (0~1GHz) | Frequency range | | 0~3GHz |
| | | ≤1.63 (1~3GHz) | Durability | | 500 Cycles |

| | | MATERIAL AND PLATING |
|------------------------|--|------------------------------------|
| Body | | Brass,gold plated |
| Male center contacts | | Brass,gold plated |
| Female center contacts | | Beryllium copper ,gold plated |
| Insulators | | PTFE |
| Crimp ferrules | | Copper alloy,nickel or gold plated |

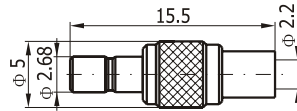
Interface Dimensions in mm



| Letter | Plug(female) | | Jack(male) | |
|--------|--------------|---------|------------|---------|
| | Minimum | Maximum | Minimum | Maximum |
| A | 4.50 | — | — | 2.69 |
| B | 2.74 | — | 1.37 | — |
| C | — | — | 0.35 | 0.38 |
| D | — | 1.35 | 2.10 | 2.14 |
| E | 2.74 | — | 2.30 | — |
| F | — | 2.26 | — | 2.77 |
| G | 0.53 | — | — | 2.44 |
| H | 0.53 | 0.89 | 0.00 | 0.13 |
| I | — | — | — | 0.56 |

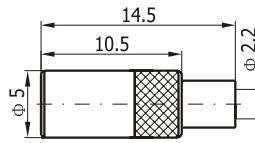
1. Semi-rigid Cable connectors Straight Cable Jacks

| Product No. | Apply cable | Notes |
|-------------|-------------|-------|
| 141A-7661 | .086 | |



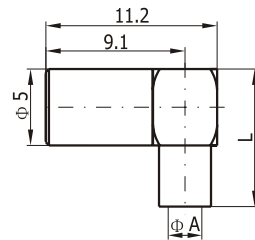
Straight Cable Plugs

| Product No. | Apply cable | Notes |
|-------------|-------------|-------|
| 142A-7661 | .086 | |



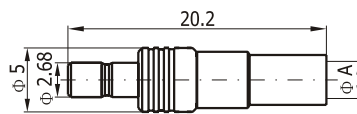
Right Angle Cable Plugs

| Product No. | Apply cable | Notes |
|-------------|-------------|-------------|
| 144A-7661 | .047 | A=1.3 L=8.0 |
| 144A-7662 | .086 | A=2.2 L=9.0 |



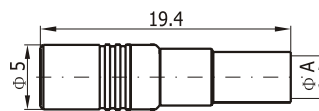
2. Flexible Cable connectors Straight Cable Jacks

| Product No. | Apply cable | Notes |
|-------------|-------------|-------|
| 141A-7501 | 2/50S | A=2.5 |
| 141A-7502 | 2.5/3/50S | A=3.1 |
| 141A-7503 | 2.5/50D | A=3.4 |



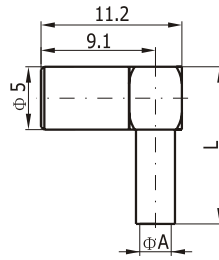
Straight Cable Plugs

| Product No. | Apply cable | Notes |
|-------------|-------------|-------|
| 142A-7501 | 2/50S | A=2.5 |
| 142A-7502 | 2.5/3/50S | A=3.1 |
| 142A-7503 | 2.5/50D | A=3.4 |



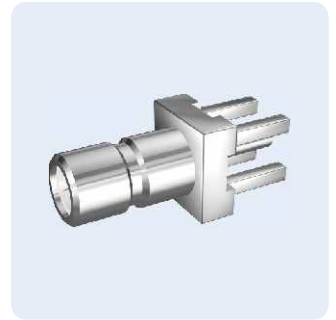
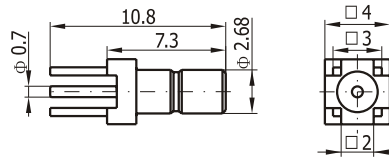
Right Angle Cable Plugs

| Product No. | Apply cable | Notes |
|-------------|-------------|--------------|
| 144A-7501 | 2/50S | A=2.5 L=12.5 |
| 144A-7502 | 2.5/3/50S | A=3.1 L=13.0 |
| 144A-7503 | 2.5/50D | A=3.4 L=14.0 |



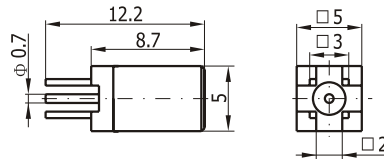
2. PCB Connectors Straight PCB Jacks

| Product No. | Mounting Hole | Notes |
|-------------|---------------|-------|
| 141A-4801 | H60 | |



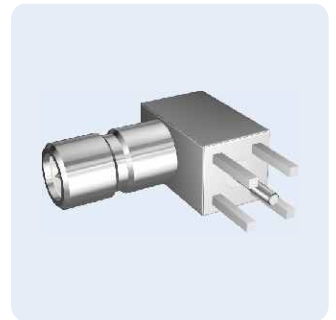
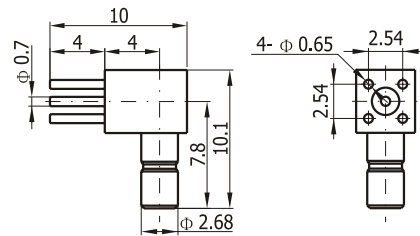
Straight PCB Plugs

| Product No. | Mounting Hole | Notes |
|-------------|---------------|-------|
| 142A-4801 | H60 | |



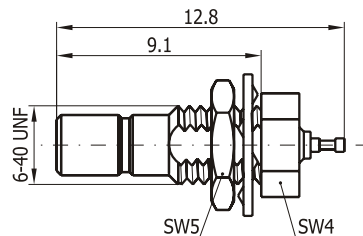
Right Angle PCB Jacks

| Product No. | Mounting Hole | Notes |
|-------------|---------------|-------|
| 143A-4801 | H60 | |



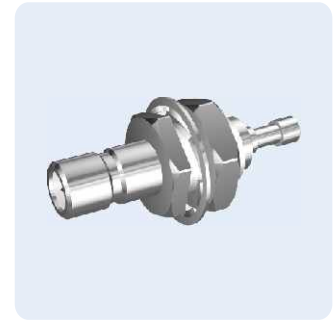
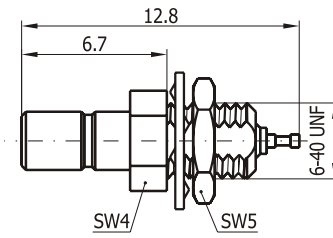
3. Bulkhead Mount Connectors Straight Bulkhead Jacks

| Product No. | Mounting Hole | Notes |
|-------------|---------------|-------|
| 141A-2801 | H28 | |



Straight Bulkhead Jacks

| Product No. | Mounting Hole | Notes |
|-------------|---------------|-------|
| 141A-2802 | H28 | |



Series SMB are snap-on-latched coupling subminiature coaxial connectors. Which have the excellent performances of small size, fast and reliable connection, excellent electrical and mechanical properties, are always suitable to connect coaxial cables in RF circuits of electronic equipment. The applicable frequency range is up to DC. 4GHz.

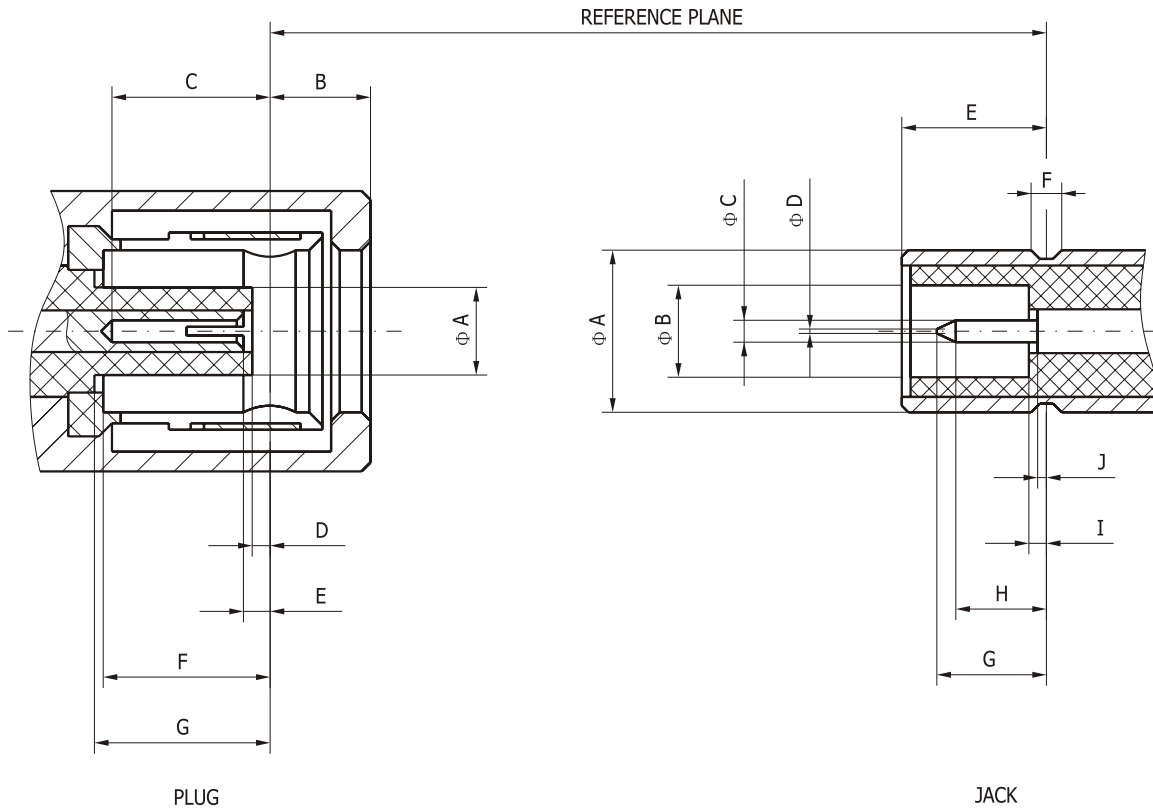
The interface dimensions and technical characteristics are in accord with the specifications of MIL-C.39012, IEC60169-10 BS92 10 N 0007、 NFC93650 and CECC 22 1 30.



| | | KEY PERFORMANCE | | |
|--------------------------|----------------------------|---------------------------------|------------|-------------|
| Temperature range | -65~+165℃ | Insulation resistance | ≥1000MΩ | |
| Characteristic Impedance | 50Ω/75Ω | Dielectric Withstanding voltage | 750V(rms) | |
| Frequency range | 0~4GHz(50Ω) 0~2GHz(75Ω) | Voltage rating | 250V(rms) | |
| Contact resistance | Center conductor | ≤6mΩ | VSWR | ≤1.30 |
| | Outer conductor | ≤1mΩ | Durability | ≥500 Cycles |

| | | MATERIAL AND PLATING |
|------------------------|--|------------------------------------|
| Body | | Brass,gold plated |
| Male center contacts | | Brass,gold plated |
| Female center contacts | | Beryllium copper ,gold plated |
| Insulators | | PTFE |
| Spring contacts | | Beryllium copper,gold plated |
| Crimp ferrules | | Copper alloy,gold or nickel plated |

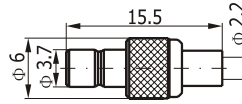
Interface Dimensions in mm



| Letter | Plug(female) | | Jack(male) | |
|--------|--------------|---------|------------|---------|
| | Minimum | Maximum | Minimum | Maximum |
| A | — | 2.06 | 3.66 | 3.71 |
| B | — | 1.63 | 2.08 | — |
| C | 2.97 | — | 0.48 | 0.53 |
| D | 0.18 | — | — | 0.25 |
| E | 0.18 | 0.94 | 3.33 | 3.58 |
| F | 3.58 | — | 0.69 | 0.94 |
| G | 3.58 | — | — | 2.97 |
| H | — | — | 1.32 | — |
| I | — | — | — | 0.18 |
| J | — | — | — | 0.18 |

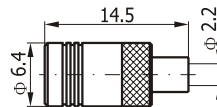
1. Semi-rigid Cable connectors Straight Cable Jacks

| Product No. | Apply cable | Notes |
|-------------|-------------|-------|
| 151A-7661 | .086 | |



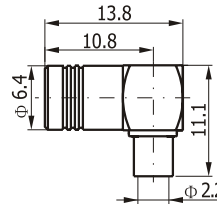
Straight Cable Plugs

| Product No. | Apply cable | Notes |
|-------------|-------------|-------|
| 152A-7661 | .086 | |



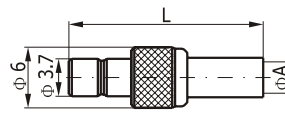
Right Angle Cable Plugs

| Product No. | Apply cable | Notes |
|-------------|-------------|-------|
| 154A-7661 | .086 | |



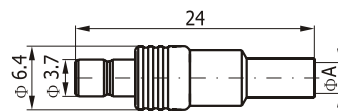
2. Flexible Cable Connectors Straight Cable Jacks

| Product No. | Apply cable | Notes |
|-------------|-------------|--------------|
| 151A-7501 | 2/50S | A=2.5 L=18.7 |
| 151A-7502 | 2.5/3/50S | A=3.1 L=19.2 |
| 151A-1503 | 2.5/50D | A=3.4 L=20.2 |



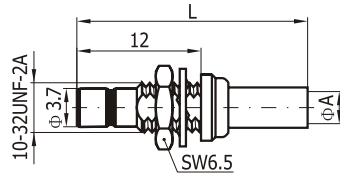
Straight Cable Jacks

| Product No. | Apply cable | Notes |
|-------------|-------------|-------|
| 151A-7504 | 2/50S | A=2.5 |
| 151A-7505 | 2.5/3/50S | A=3.1 |
| 151A-7506 | 2.5/50D | A=3.4 |



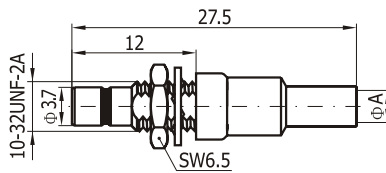
Straight Bulkhead Cable Jacks

| Product No. | Apply cable | Mounting Hole | Notes |
|-------------|-------------|---------------|--------------|
| 151A-2501 | 2.5/3/50S | H31 | A=3.1 L=22.3 |
| 151A-2502 | 2.5/50D | H31 | A=3.4 L=23.3 |



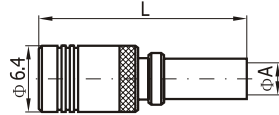
Straight Bulkhead Cable Jacks

| Product No. | Apply cable | Mounting Hole | Notes |
|-------------|-------------|---------------|-------|
| 151A-2503 | 2/50S | H31 | A=2.5 |
| 151A-2504 | 2.5/3/50S | H31 | A=3.1 |
| 151A-2505 | 2.5/50D | H31 | A=3.4 |



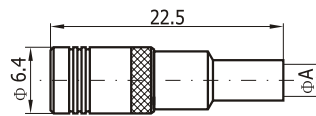
Straight Cable Plugs

| Product No. | Apply cable | Notes |
|-------------|-------------|--------------|
| 152A-7501 | 2.5/3/50S | A=3.1 L=20.1 |
| 152A-7502 | 2.5/50D | A=3.4 L=21.1 |



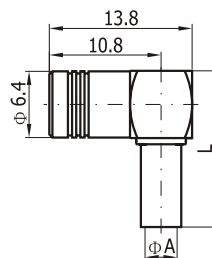
Straight Cable Plugs

| Product No. | Apply cable | Notes |
|-------------|-------------|-------|
| 152A-7503 | 2/50S | A=2.5 |
| 152A-7504 | 2.5/3/50S | A=3.1 |
| 152A-7505 | 2.5/50D | A=3.4 |



Right Angle Cable Plugs

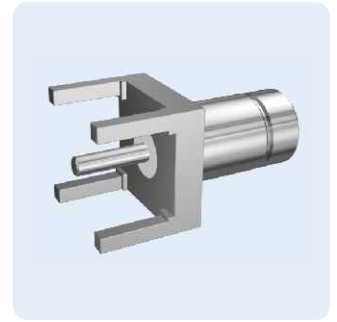
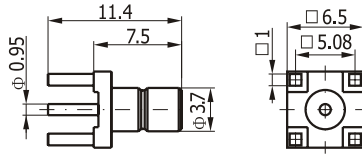
| Product No. | Apply cable | Notes |
|-------------|-------------|--------------|
| 154A-7501 | 2/50S | A=2.5 L=14.6 |
| 154A-7502 | 2.5/3/50S | A=3.1 L=15.1 |
| 154A-7503 | 2.5/50D | A=3.4 L=16.1 |



3. PCB Connectors

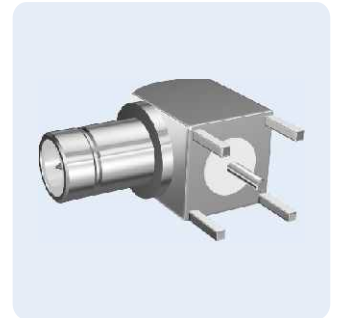
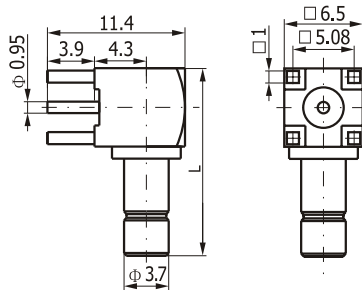
Straight PCB Jacks

| Product No. | Mounting Hole | Notes |
|-------------|---------------|-------|
| 151A-4801 | H64 | |



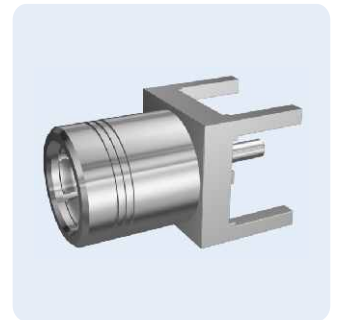
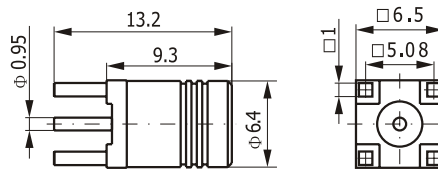
Right Angle PCB Jacks

| Product No. | Mounting Hole | Notes |
|-------------|---------------|-------|
| 153A-4801 | H64 | |
| 153A-4802 | H64 | |



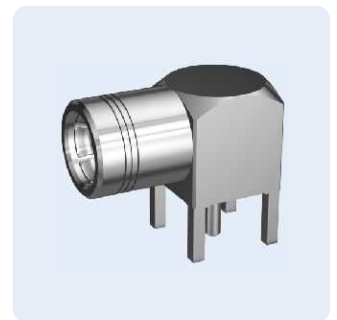
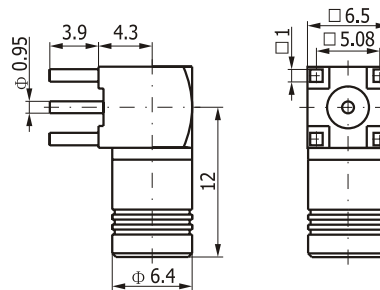
Straight PCB Plugs

| Product No. | Mounting Hole | Notes |
|-------------|---------------|-------|
| 152A-4801 | H64 | |



Right Angle PCB Plugs

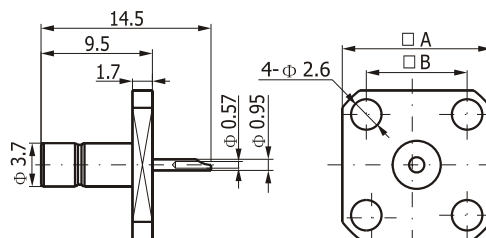
| Product No. | Mounting Hole | Notes |
|-------------|---------------|-------|
| 154A-4801 | H64 | A=2.5 |



4. Flange mount Connector

Straight Flange Mount Jacks

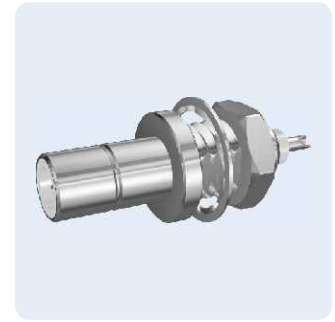
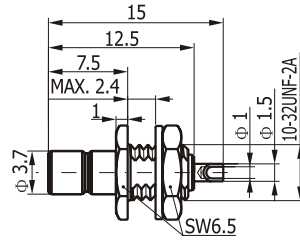
| Product No. | Mounting Hole | Notes |
|-------------|---------------|--------------|
| 151A-0001 | H68 | A=12.7 B=8.6 |
| 151A-0002 | H74 | A=9.5 B=5.9 |



5. Bulkhead Mounted Connectors

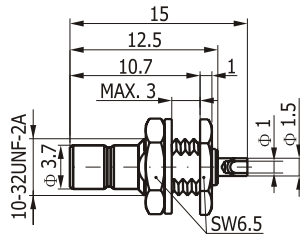
Straight Bulkhead Jacks

| Product No. | Mounting Hole | Notes |
|-------------|---------------|-------|
| 151A-2801 | H31 | |



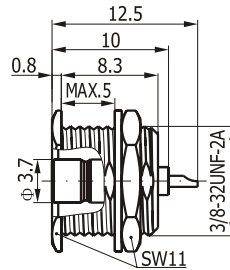
Straight Bulkhead Jacks

| Product No. | Mounting Hole | Notes |
|-------------|---------------|-------|
| 151A-2802 | H31 | |



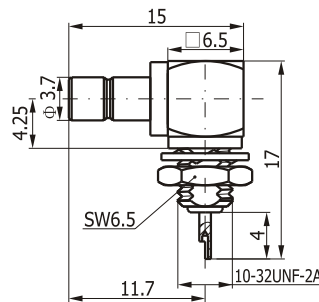
Recessed Straight Bulkhead Jacks

| Product No. | Mounting Hole | Notes |
|-------------|---------------|-------|
| 151A-2803 | H5 | |



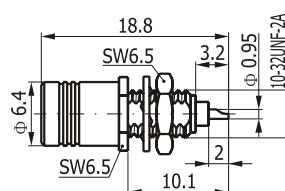
Right Angle Bulkhead Jacks

| Product No. | Mounting Hole | Notes |
|-------------|---------------|-------|
| 153A-2801 | H31 | |

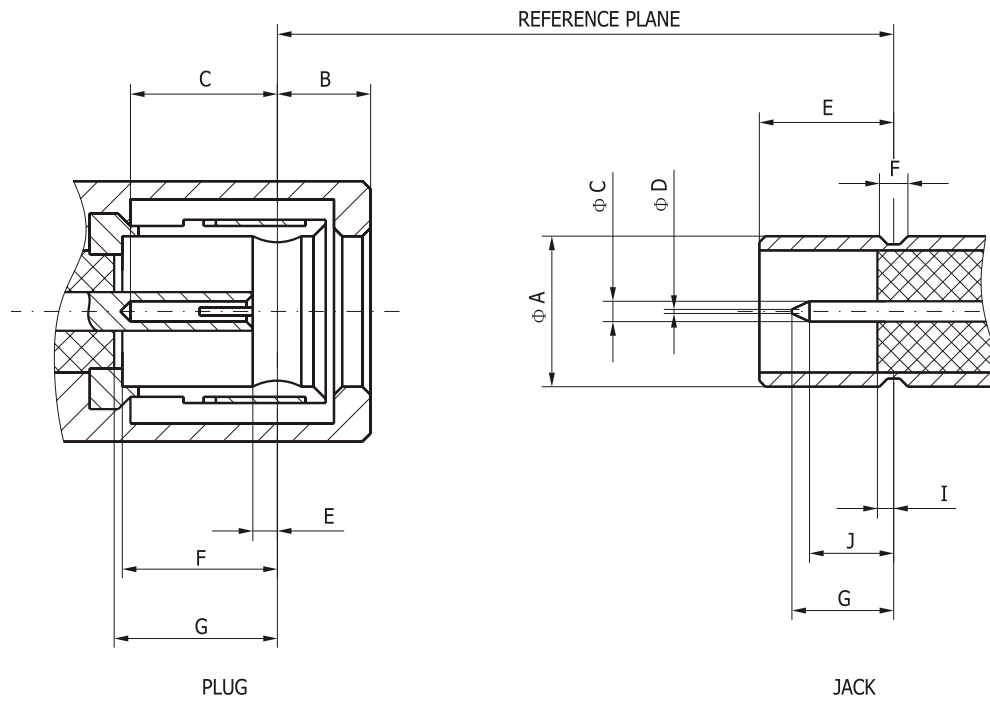


Straight Bulkhead Plugs

| Product No. | Mounting Hole | Notes |
|-------------|---------------|-------|
| 152A-2801 | H31 | |



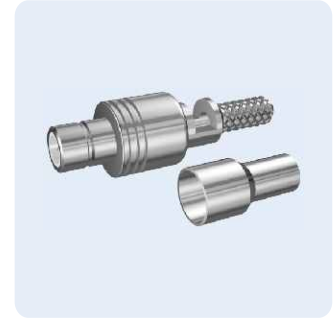
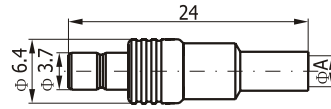
Interface Dimensions in mm



| Letter | Plug(female) | | Jack(male) | |
|--------|--------------|---------|------------|---------|
| | Minimum | Maximum | Minimum | Maximum |
| A | — | — | 3.66 | 3.71 |
| B | — | 1.63 | — | — |
| C | 2.97 | — | 0.48 | 0.53 |
| D | — | — | — | 0.25 |
| E | 0.18 | 0.94 | 3.33 | 3.58 |
| F | 3.58 | — | 0.69 | 0.94 |
| G | 3.58 | — | — | 2.97 |
| H | — | — | — | — |
| I | — | — | — | 0.18 |
| J | — | — | 1.32 | — |

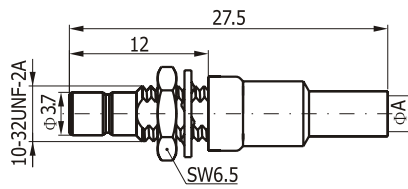
1. Flexible Cable Connectors Straight Cable Jacks

| Product No. | Apply cable | Notes |
|-------------|-------------|-------|
| 721A-7501 | 2/75S | A=2.5 |
| 721A-7502 | 2.5/3/75S | A=3.1 |



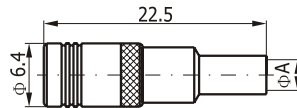
Straight Bulkhead Cable Jacks

| Product No. | Apply cable | Mounting Hole | Notes |
|-------------|-------------|---------------|-------|
| 721A-2501 | 2/75S | H31 | A=2.5 |
| 721A-2502 | 2.5/3/75S | H31 | A=3.1 |



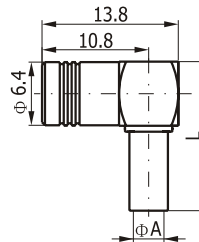
Straight Cable Plugs

| Product No. | Apply cable | Notes |
|-------------|-------------|-------|
| 722A-7501 | 2/75S | A=2.5 |
| 722A-7502 | 2.5/3/75S | A=3.1 |



Right Angle Cable Plugs

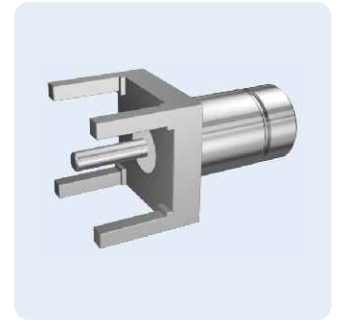
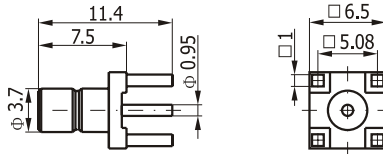
| Product No. | Apply cable | Notes |
|-------------|-------------|--------------|
| 724A-7501 | 2/75S | L=14.6 A=2.5 |
| 724A-7502 | 2.5/3/75S | L=15.1 A=3.1 |



2. PCB Connector

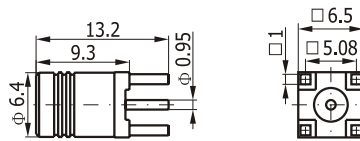
Straight PCB Jacks

| Product No. | Mounting Hole | Notes |
|-------------|---------------|-------|
| 721A-4801 | H64 | |



Straight PCB Plugs

| Product No. | Mounting Hole | Notes |
|-------------|---------------|-------|
| 722A-4801 | H64 | |



Series SMC are screw coupling miniature coaxial connectors. Which have the excellent performances of light weight, small size and vibration-proof, are especially suitable for connecting RF circuits with RF coaxial cables in mobile equipment and instrument with low VSWR requirement.

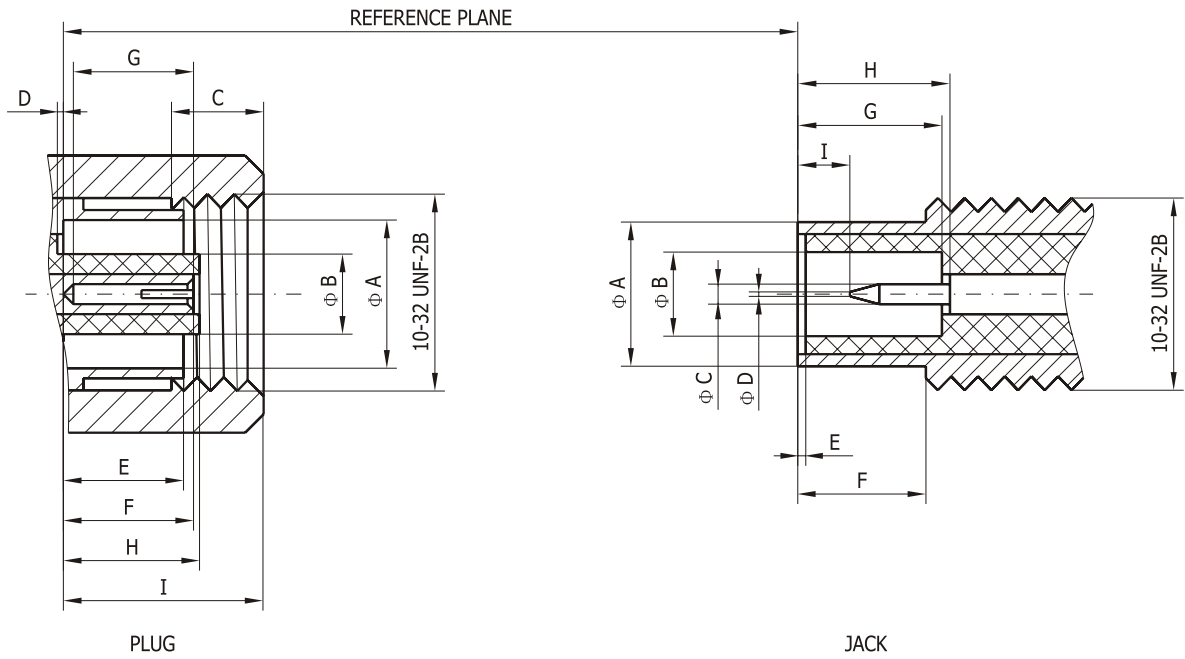
The interface dimensions and technical characteristics are in accord with the specifications of MIL-C-39012, IEC60169-9, CECC 22140 and VG95286.



| | | KEY PERFORMANCE | |
|--------------------------|------------|---------------------------------|-------------------------|
| Temperature range | -65~+165°C | Dielectric Withstanding voltage | 750V(rms) |
| Characteristic impedancd | 50Ω | Voltage rating | 250V(rms) |
| Frequency range | 0~10GHz | VSWR | Str. ≤1.25 R/A ≤1.35 |
| Insulation resistance | ≥ 1000MΩ | Durability | 500 Cycles |

| | | MATERIAL AND PLATING |
|------------------------|--|------------------------------------|
| Body | | Brass,gold plated |
| Male center contacts | | Brass,gold plated |
| Female center contacts | | Beryllium copper ,gold plated |
| Insulators | | PTFE |
| Crimp ferrules | | Copper alloy,gold or nickel plated |

Interface Dimensions in mm

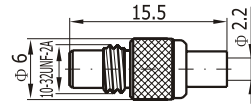


| Letter | Plug(female) | | Jack(male) | |
|--------|--------------|---------|------------|---------|
| | Minimum | Maximum | Minimum | Maximum |
| A | 3.73 | 3.81 | 3.63 | 3.71 |
| B | 2.00 | 2.06 | 2.08 | 2.16 |
| C | 2.79 | — | 0.48 | 0.53 |
| D | 0.00 | 0.30 | — | 0.25 |
| E | — | 3.10 | 0.00 | 0.30 |
| F | 3.05 | 3.40 | 3.12 | 3.38 |
| G | 2.79 | — | 3.40 | 3.66 |
| H | 3.15 | 3.40 | 3.40 | 3.76 |
| I | — | 5.92 | 0.61 | — |

1. Semi-rigid Cable connectors

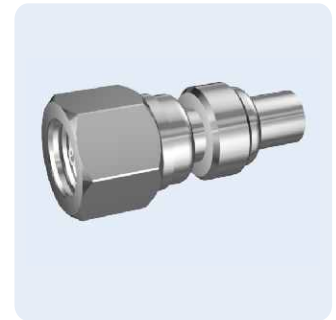
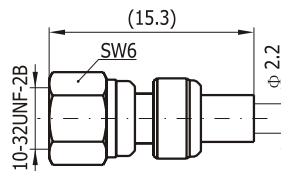
Straight Cable Jacks

| Product No. | Apply cable | Notes |
|-------------|-------------|-------|
| 161A-7661 | .086 | |



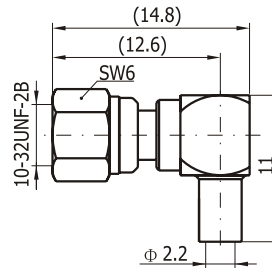
Straight Cable Plugs

| Product No. | Apply cable | Notes |
|-------------|-------------|-------|
| 162A-7661 | .086 | |



Right Angle Cable Plugs

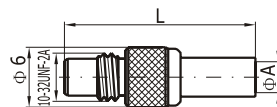
| Product No. | Apply cable | Notes |
|-------------|-------------|-------|
| 164A-7661 | .086 | |



2. Flexible Cable Connectors

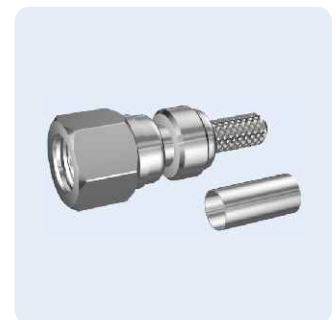
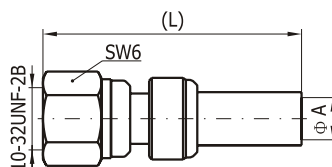
Straight Cable Jacks

| Product No. | Apply cable | Notes |
|-------------|-------------|--------------|
| 161A-7501 | 2/50S | A=2.5 L=18.7 |
| 161A-7502 | 2.5/3/50S | A=3.1 L=19.2 |
| 161A-7503 | 2.5/50D | A=3.4 L=20.2 |



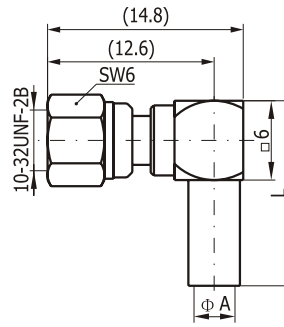
Straight Cable Plugs

| Product No. | Apply cable | Notes |
|-------------|-------------|--------------|
| 162A-7501 | 2/50S | A=2.5 L=18.5 |
| 162A-7502 | 2.5/3/50S | A=3.1 L=19.0 |
| 162A-7503 | 2.5/50D | A=3.4 L=20.0 |



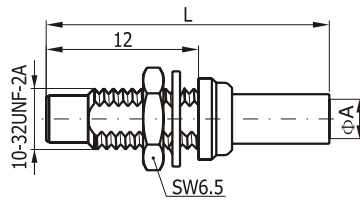
Right Angle Cable Plugs

| Product No. | Apply cable | Notes |
|-------------|-------------|--------------|
| 164A-7501 | 2/50S | A=2.5 L=13.5 |
| 164A-7502 | 2.5/3/50S | A=3.1 L=14.0 |
| 164A-7503 | 2.5/50D | A=3.4 L=15.0 |



Straight Bulkhead Cable Jacks

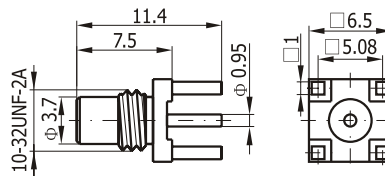
| Product No. | Apply cable | Mounting Hole | Notes |
|-------------|-------------|---------------|-------|
| 161A-2501 | 2.5/3/50S | H31 | A=3.1 |
| 161A-2502 | 2.5/50D | H31 | A=3.4 |



3. PCB Connectors

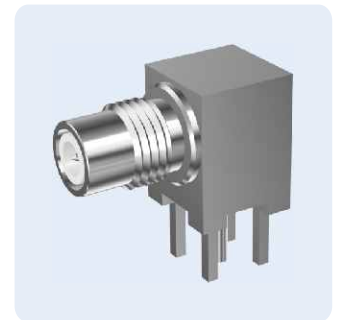
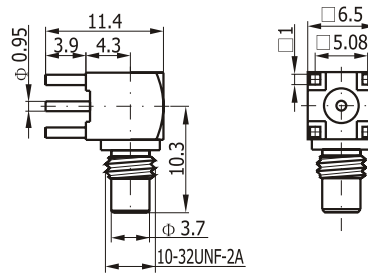
Straight PCB Jacks

| Product No. | Mounting Hole | Notes |
|-------------|---------------|-------|
| 161A-4801 | H64 | |



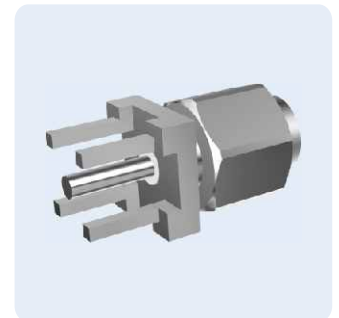
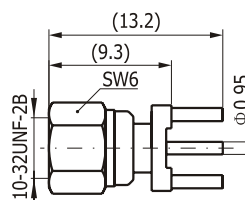
Right Angle PCB Jacks

| Product No. | Mounting Hole | Notes |
|-------------|---------------|-------|
| 163A-4801 | H64 | |



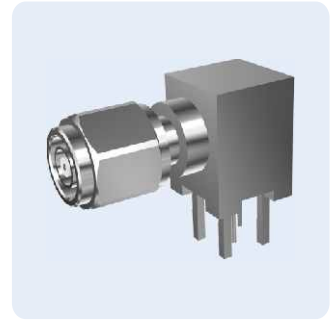
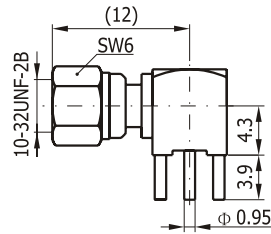
Straight PCB Plugs

| Product No. | Mounting Hole | Notes |
|-------------|---------------|-------|
| 162A-4801 | H64 | |



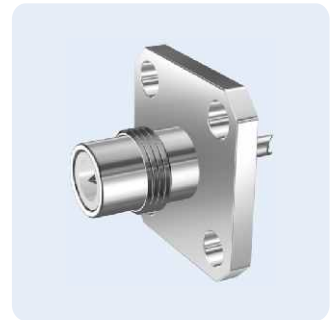
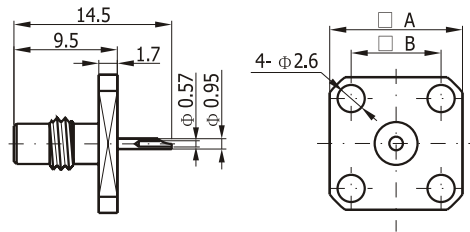
Right Angle Cable Plugs

| Product No. | Mounting Hole | Notes |
|-------------|---------------|-------|
| 164A-4801 | H64 | |



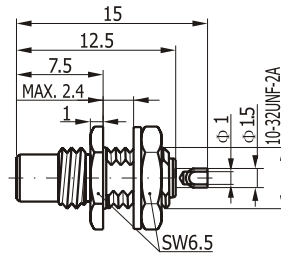
4. Flange Mounted Connectors Straight Flange Jacks

| Product No. | Mounting Hole | Notes |
|-------------|---------------|--------------|
| 161A-0001 | H68 | A=12.7 B=8.6 |
| 161A-0002 | H74 | A=9.5 B=5.9 |



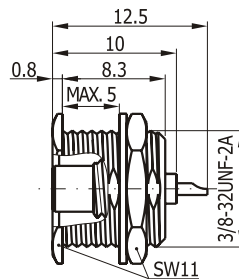
5. Bulkhead Mounted Connectors Straight Bulkhead Jacks

| Product No. | Mounting Hole | Notes |
|-------------|---------------|--------------|
| 161A-2801 | H31 | A=12.7 B=8.6 |



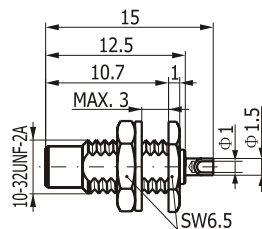
Straight Bulkhead Jacks

| Product No. | Mounting Hole | Notes |
|-------------|---------------|-------|
| 161A-2802 | H5 | |



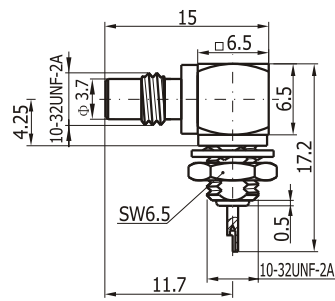
Straight Bulkhead Jacks

| Product No. | Mounting Hole | Notes |
|-------------|---------------|--------------|
| 161A-2803 | H31 | A=12.7 B=8.6 |



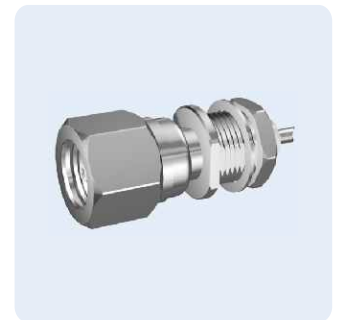
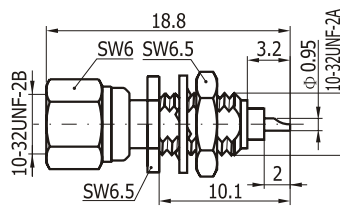
Right Angle Jacks

| Product No. | Mounting Hole | Notes |
|-------------|---------------|-------|
| 163A-2801 | H31 | |



Right Angle Plugs

| Product No. | Mounting Hole | Notes |
|-------------|---------------|-------|
| 162A-2801 | H31 | |



Series SSMA are thread coupling sub-miniature coaxial connectors, as smaller version of SMA connectors. Which have the excellent performances of light weight, small size, rugged construction, wide frequency range and high reliability, are widely used in RF and microwave telecommunication system.

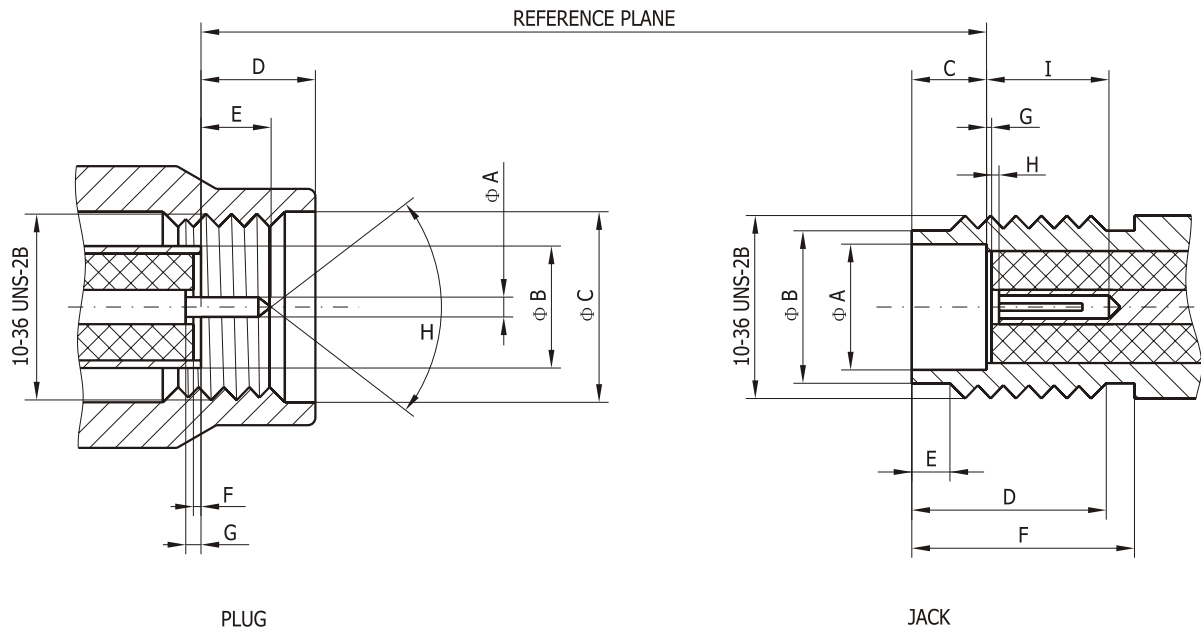
The interface dimensions and technical characteristics are in accord with the specifications of IEC169-18 and CECC 22140.



| | | KEY PERFORMANCE | | |
|--------------------------|-------------|---------------------------------|------------------|--------|
| Temperature range | -55~+155℃ | Insulation resistance | ≥1000MΩ | |
| Characteristic impedancd | 50Ω | Dielectric Withstanding voltage | 750V(rms) | |
| Frequency range | 0 ~ 35GHz | Contact resistance | Center conductor | ≤4mΩ |
| | | | Outer conductor | ≤2.5mΩ |
| VSWR | ≤1.07+0.01f | Durability | 500 Cycles | |

| | | MATERIAL AND PLATING |
|------------------------|--|------------------------------------|
| Body | | Brass,gold plated |
| Male center contacts | | Brass,gold plated |
| Female center contacts | | Beryllium copper ,gold plated |
| Insulators | | PTFE |
| Crimp ferrules | | Copper alloy,nickel or gold plated |

Interface Dimensions in mm

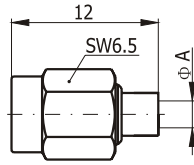


| Letter | Plug(male) | | Jack(female) | |
|--------|------------|---------|--------------|---------|
| | Minimum | Maximum | Minimum | Maximum |
| A | 0.49 | 0.53 | 3.23 | 3.30 |
| B | 3.15 | 3.22 | 3.89 | 4.06 |
| C | 4.98 | 5.13 | 1.91 | 1.96 |
| D | 2.54 | 3.38 | 4.83 | 5.33 |
| E | 1.27 | 1.65 | 0.51 | 1.02 |
| F | 0.00 | 0.25 | 5.84 | — |
| G | 0.00 | 0.25 | 0.00 | 0.25 |
| H | 70° | 95° | 0.00 | 0.25 |
| I | — | — | 1.91 | — |

1. Semi-rigid Cable Connectors

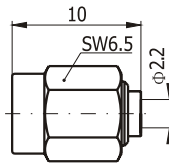
Straight Cable Plugs

| Product No. | Apply cable | Notes |
|-------------|-------------|-------|
| 171A-7661 | .047 | A=1.3 |
| 171A-7662 | .086 | A=2.2 |



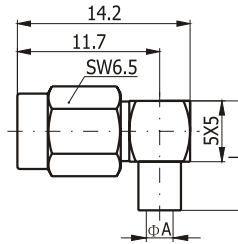
Straight Cable Plugs

| Product No. | Apply cable | Notes |
|-------------|-------------|-------|
| 171A-7663 | .086 | |



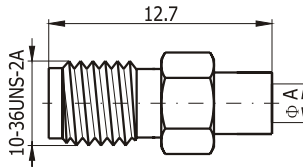
Right Angle Cable Plugs

| Product No. | Apply cable | Notes |
|-------------|-------------|-------------|
| 173A-7661 | .047 | A=1.3 L=8.0 |
| 173A-7662 | .086 | A=2.2 L=9.0 |



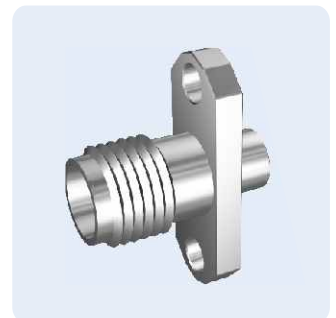
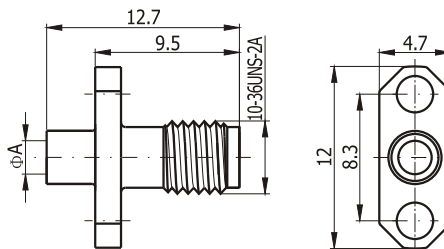
Straight Cable Jacks

| Product No. | Apply cable | Notes |
|-------------|-------------|-------|
| 172A-7661 | .047 | A=1.3 |
| 172A-7662 | .086 | A=2.2 |



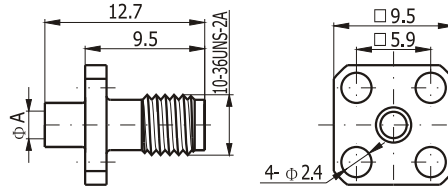
Straight Flange Cable Jacks

| Product No. | Apply cable | Mounting Hole | Notes |
|-------------|-------------|---------------|-------|
| 172A-1661 | .047 | H49 | A=1.3 |
| 172A-1662 | .086 | H49 | A=2.2 |



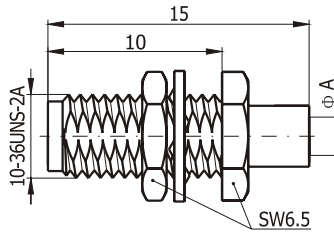
Straight Flange Cable Jacks

| Product No. | Apply cable | Mounting Hole | Notes |
|-------------|-------------|---------------|-------|
| 172A-1663 | .047 | H75 | A=1.3 |
| 172A-1664 | .086 | H75 | A=2.2 |



Straight Flange Cable Jacks

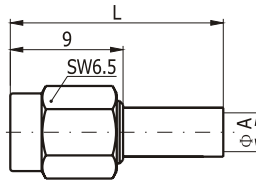
| Product No. | Apply cable | Mounting Hole | Notes |
|-------------|-------------|---------------|-------|
| 172A-2661 | .047 | H31 | A=1.3 |
| 172A-2662 | .086 | H31 | A=2.2 |



2. Flexible Cable Connectors

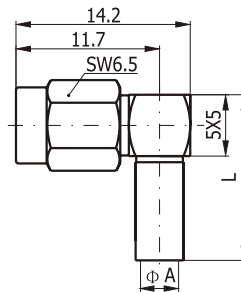
Straight Cable Plugs

| Product No. | Apply cable | Notes |
|-------------|-------------|--------------|
| 171A-7501 | 2/50S | A=2.5 L=16.5 |
| 171A-7502 | 2.5/3/50S | A=3.1 L=17.0 |
| 171A-7503 | 2.5/50D | A=3.4 L=18.0 |



Straight Cable Plugs

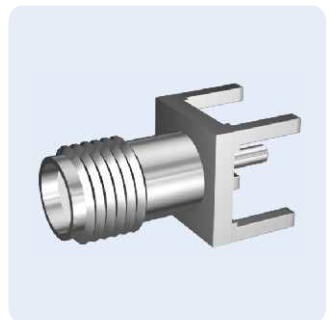
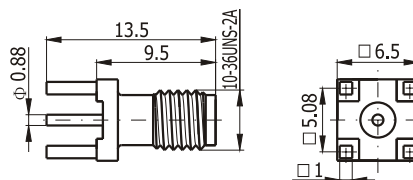
| Product No. | Apply cable | Notes |
|-------------|-------------|--------------|
| 173A-7501 | 2/50S | A=2.5 L=13.0 |
| 173A-7502 | 2.5/3/50S | A=3.1 L=13.5 |
| 173A-7503 | 2.5/50D | A=3.4 L=14.5 |



3. PCB Connectors

Straight PCB Jacks

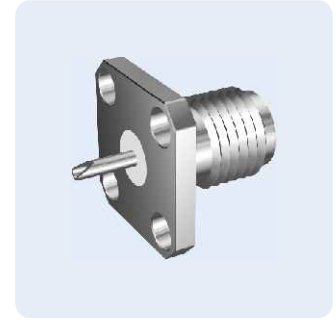
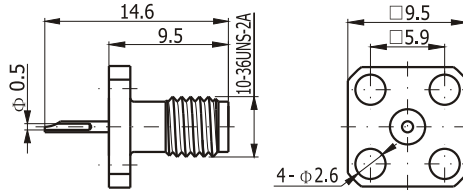
| Product No. | Mounting Hole | Notes |
|-------------|---------------|-------|
| 172A-4801 | H64 | |



4. Flange Mount Connectors

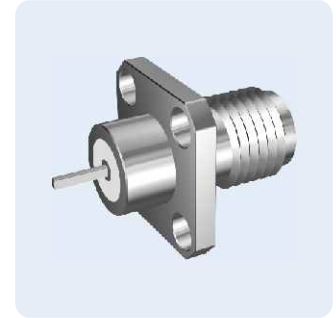
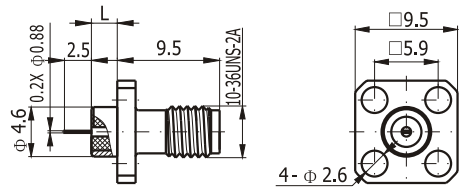
Straight Flange Jacks

| Product No. | Mounting Hole | Notes |
|-------------|---------------|-------|
| 172A-0001 | H74 | |



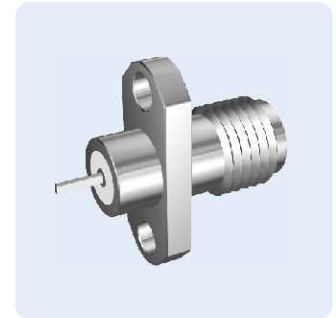
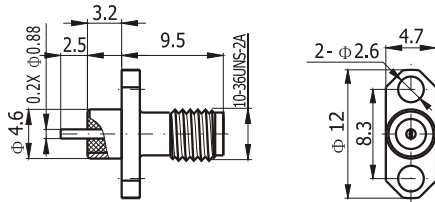
Straight Flange Jacks

| Product No. | Mounting Hole | Notes |
|-------------|---------------|-------|
| 172A-0002 | H75 | L=2.4 |
| 172A-0003 | H75 | L=3.2 |
| 172A-0004 | H75 | L=4.8 |



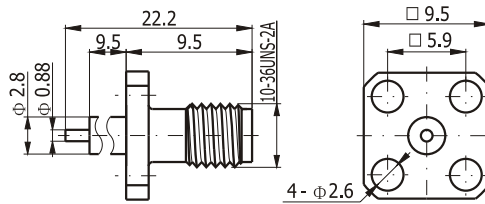
Straight Flange Jacks

| Product No. | Mounting Hole | Notes |
|-------------|---------------|-------|
| 172A-0005 | H49 | |



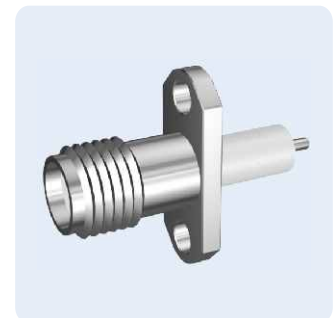
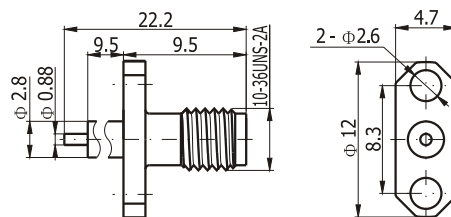
Straight Flange Jacks

| Product No. | Mounting Hole | Notes |
|-------------|---------------|-------|
| 172A-0006 | H74 | |



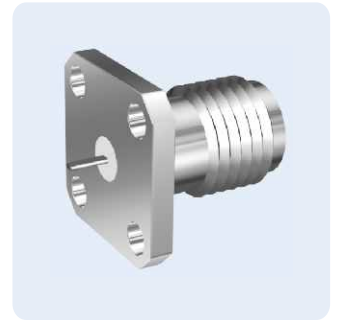
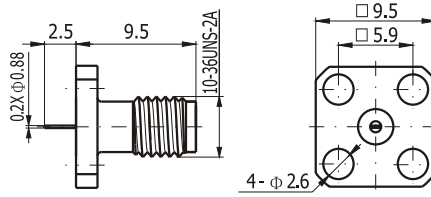
Straight Flange Jacks

| Product No. | Mounting Hole | Notes |
|-------------|---------------|-------|
| 172A-0007 | H48 | |



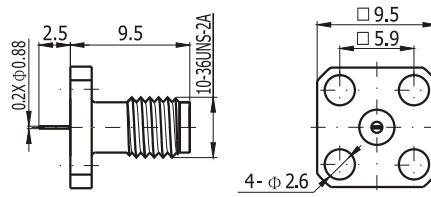
Straight Flange Jacks

| Product No. | Mounting Hole | Notes |
|-------------|---------------|-------|
| 172A-0008 | H74 | |



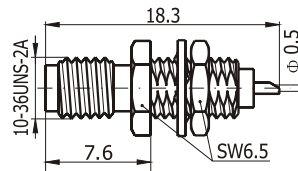
Straight Flange Jacks

| Product No. | Mounting Hole | Notes |
|-------------|---------------|-------|
| 172D-0001 | H74 | |



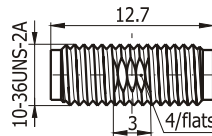
5. Bulkhead Mount connectors Straight Bulkhead Jacks

| Product No. | Mounting Hole | Notes |
|-------------|---------------|-------|
| 172A-2801 | H31 | |



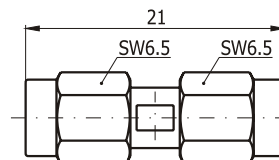
6. Adapters SSMA Jack to Jack

| Product No. | Notes |
|-------------|-------|
| 170A-7931 | |



Straight SSMA Plug to Plug

| Product No. | Notes |
|-------------|-------|
| 170A-7911 | |



Series SMA are very popular thread coupling miniature coaxial connectors. Which have the excellent performances of high reliability, high mechanical strength, high durability, and optimum electrical properties, are widely used to connect RF coaxial cables for mobile communication equipments and electronic communication instruments.

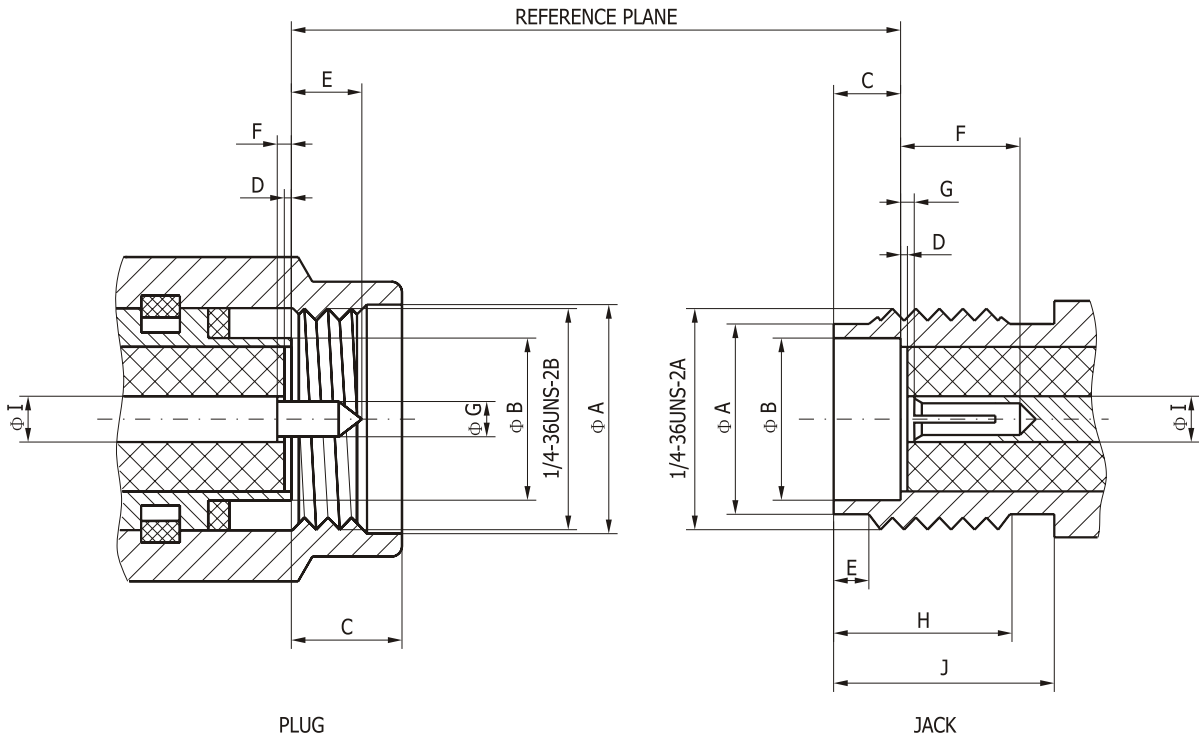
The interface dimensions, technical characteristics are in accord with the specifications of MIL-C-39012. IEC 169-15 and CECC 22110.



| | | | KEY PERFORMANCE | | |
|--------------------------|--------------------------------|--------------|---------------------------------|------------------|------------|
| Temperature range | | -65~+165°C | Insulation resistance | | ≥ 5000MΩ |
| Characteristic impedance | | 50 Ω | Dielectric Withstanding voltage | | 1000V(rms) |
| Frequency range | With flexible cable | 0~12.4GHz | Contact resistance | Center conductor | ≤ 3mΩ |
| | With semi-rigid/flexible cable | 0~18GHz | | Outer conductor | ≤ 2mΩ |
| VSWR | With flexible cable | ≤ 1.15+0.02F | Durability | | 500 Cycles |
| | With semi-rigid/flexible cable | ≤ 1.05+0.02F | | | |

| MATERIAL AND PLATING | |
|------------------------|--|
| Body | Brass, gold plated or stainless steel passivated |
| Male center contacts | Brass, gold plated |
| Female center contacts | Beryllium copper, gold plated |
| Insulators | PTFE |
| Gaskets | Silicon rubber |
| Crimp ferrules | Copper alloy, gold or nickel plated |

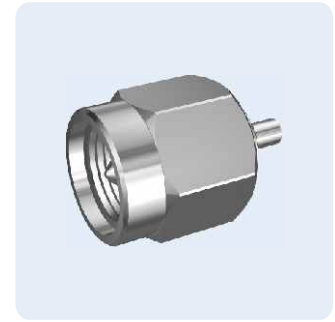
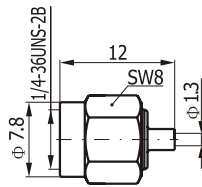
Interface Dimensions in mm



| Letter | Plug(male) | | Jack(female) | |
|--------|------------|---------|--------------|---------|
| | Minimum | Maximum | Minimum | Maximum |
| A | 6.35 | 6.73 | 5.28 | 5.49 |
| B | 4.53 | 4.59 | 4.60 | 4.70 |
| C | 2.54 | 3.43 | 1.88 | 1.98 |
| D | 0.00 | 0.18 | 0.00 | 0.18 |
| E | 1.91 | 2.54 | 0.38 | 1.14 |
| F | 0.00 | 0.25 | 2.92 | — |
| G | 0.90 | 0.94 | 0.00 | 0.25 |
| H | — | — | 4.32 | — |
| I | 1.24 | — | 1.24 | 1.30 |
| J | — | 1.30 | 5.54 | — |

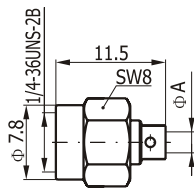
1. Semi-rigid Cable connectors Straight Cable Plugs

| Product No. | Apply cable | Notes |
|-------------|-------------|-------|
| 181A-7661 | .034 | |
| 181A-7662 | .047 | |



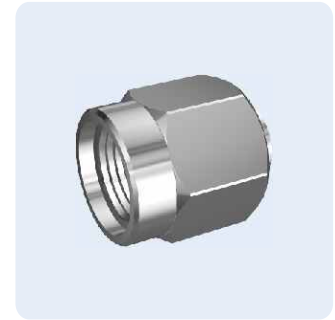
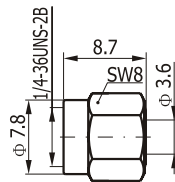
Straight Cable Plugs

| Product No. | Apply cable | Notes |
|-------------|-------------|-------|
| 181A-7663 | .086 | A=2.2 |
| 181A-7664 | .141 | A=3.6 |
| 181D-7661 | .086 | A=2.2 |
| 181D-7662 | .141 | A=3.6 |



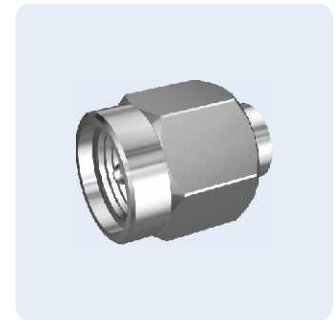
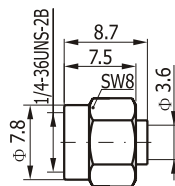
Straight Cable Plugs

| Product No. | Apply cable | Notes |
|-------------|-------------|-------|
| 181A-7665 | .141 | |



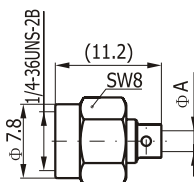
Straight Cable Plugs

| Product No. | Apply cable | Notes |
|-------------|-------------|-------|
| 181A-7666 | .141 | |



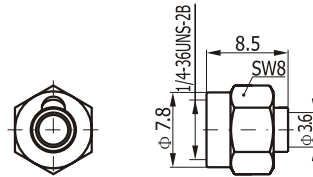
Straight Cable Plugs

| Product No. | Apply cable | Notes |
|-------------|-------------|-------|
| 181A-7667 | .086 | A=2.2 |
| 181A-7668 | .141 | A=3.6 |



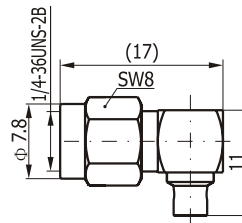
Straight Cable Plugs

| Product No. | Apply cable | Notes |
|-------------|-------------|-------|
| 181D-7663 | .141 | |



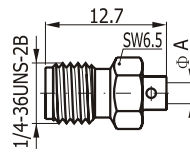
Right Angle Cable Plugs

| Product No. | Apply cable | Notes |
|-------------|-------------|-------|
| 183A-7661 | .041 | A=1.3 |
| 183A-7662 | .086 | A=2.2 |
| 183A-7663 | .141 | A=3.6 |



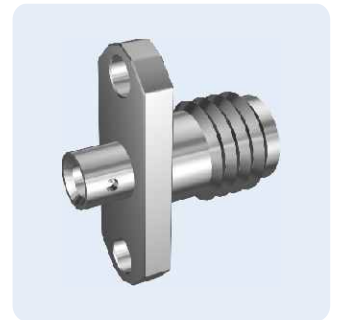
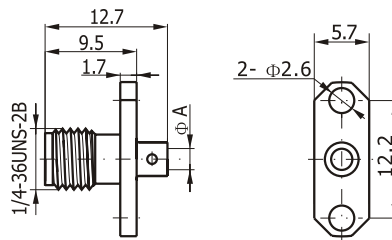
Straight Cable Jacks

| Product No. | Apply cable | Notes |
|-------------|-------------|-------|
| 182A-7661 | .047 | A=1.3 |
| 182A-7662 | .047 | A=1.3 |
| 182A-7663 | .086 | A=2.2 |
| 182A-7664 | .141 | A=3.6 |



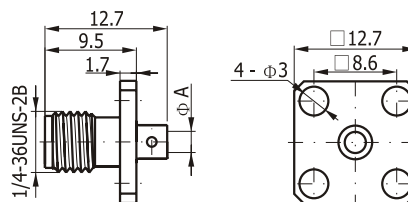
Straight Flange Cable Jacks

| Product No. | Apply cable | Mounting Hole | Notes |
|-------------|-------------|---------------|-------|
| 182A-1661 | .047 | H53 | A=1.3 |
| 182A-1662 | .086 | H53 | A=2.2 |
| 182A-1663 | .141 | H53 | A=3.4 |



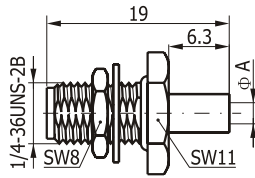
Straight Flange Cable Jacks

| Product No. | Apply cable | Mounting Hole | Notes |
|-------------|-------------|---------------|-------|
| 182A-1664 | .041 | H72 | A=1.3 |
| 182A-1665 | .086 | H72 | A=2.2 |
| 182A-1666 | .141 | H72 | A=3.6 |



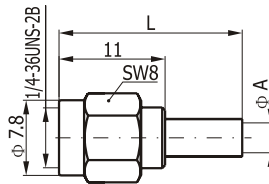
Straight Bulkhead Cable Jacks

| Product No. | Apply cable | Mounting Hole | Notes |
|-------------|-------------|---------------|-------|
| 182A-2661 | .086 | H33 | A=2.2 |
| 182A-2662 | .141 | H33 | A=3.6 |



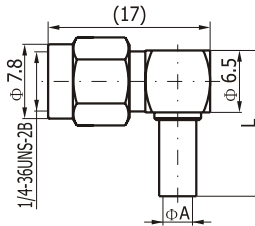
2. Flexible Cable Connectors Straight Cable Plugs

| Product No. | Apply cable | Notes |
|-------------|-------------|--------------|
| 181A-7501 | 2/50S | A=2.5 L=18.5 |
| 181A-7502 | 2.5/3/50S | A=3.1 L=19.0 |
| 181A-7503 | 2.5/50D | A=3.4 L=20.0 |
| 181A-7504 | 5/50S | A=5.2 L=23.0 |
| 181A-7505 | S/50D | A=5.7 L=24.5 |



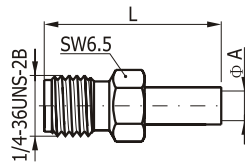
Right Angle Cable Plugs

| Product No. | Apply cable | Notes |
|-------------|-------------|--------------|
| 183A-7501 | 2/50S | A=2.5 L=14.8 |
| 183A-7502 | 2.5/S/50S | A=3.1 L=15.3 |
| 183A-7503 | 2.5/50D | A=3.4 L=16.3 |
| 183A-7504 | 5/50S | A=5.2 L=19.3 |
| 183A-7505 | 5/50D | A=5.7 L=20.8 |



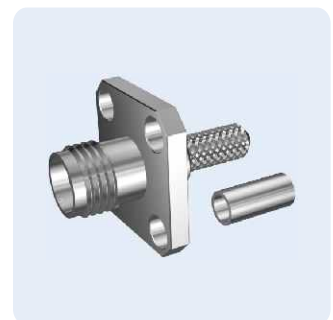
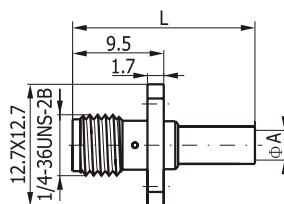
Straight Cable Jacks

| Product No. | Apply cable | Notes |
|-------------|-------------|--------------|
| 182A-7501 | 2.5/3/50S | A=3.1 L=18.5 |
| 182A-7502 | 2.5/50D | A=3.4 L=19.5 |
| 182A-7503 | 5/50S | A=5.2 L=22.5 |
| 182A-7504 | 5/50D | A=5.7 L=24.0 |



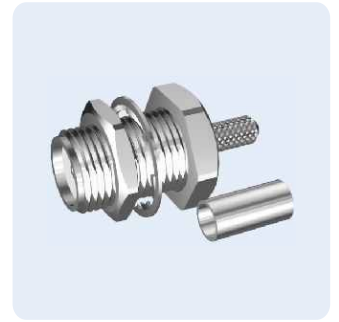
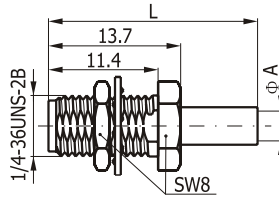
Straight Flange Cable Jacks

| Product No. | Apply cable | Mounting Hole | Notes |
|-------------|-------------|---------------|--------------|
| 182A-1501 | 2.5/3/50S | H73 | A=3.1 L=19.0 |
| 182A-1502 | 2.5/50D | H73 | A=3.4 L=20.0 |
| 182A-1503 | 5/50S | H73 | A=5.2 L=23.0 |
| 182A-1504 | 5/50D | H73 | A=5.7 L=24.5 |



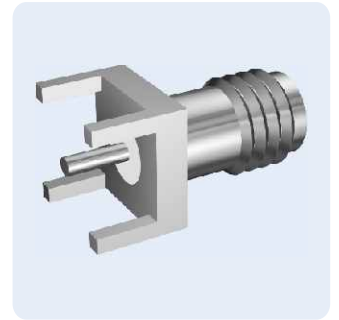
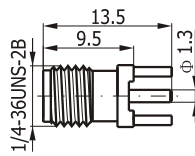
Straight Bulkhead Cable Jacks

| Product No. | Apply cable | Mounting Hole | Notes |
|-------------|-------------|---------------|--------------|
| 182A-2501 | 2.5/3/50S | H33 | A=3.1 L=21.7 |
| 182A-2502 | 2.5/50D | H33 | A=3.4 L=22.7 |
| 182A-2503 | 5/50S | H33 | A=5.2 L=25.7 |
| 182A-2504 | 5/50D | H33 | A=5.7 L=27.2 |



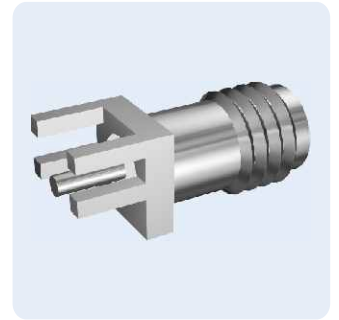
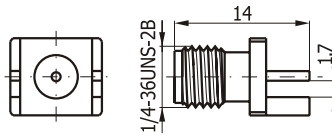
3. PCB Connectors Straight PCB Jacks

| Product No. | Mounting Hole | Notes |
|-------------|---------------|-------|
| 182A-4801 | H64 | |



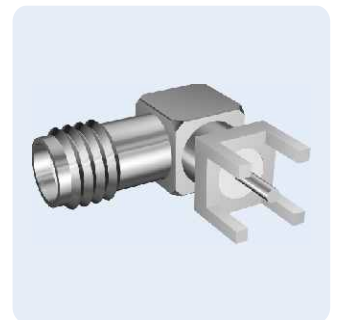
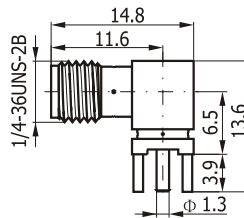
Straight PCB Jacks

| Product No. | Mounting Hole | Notes |
|-------------|---------------|-------|
| 182A-5801 | H106 | |



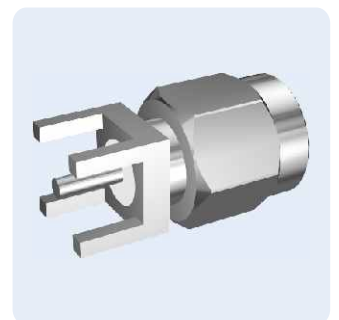
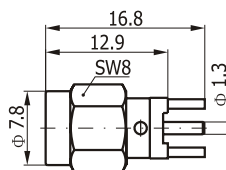
Right Angle PCB Jacks

| Product No. | Mounting Hole | Notes |
|-------------|---------------|-------|
| 184A-4801 | H64 | |



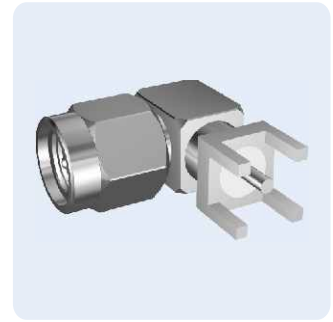
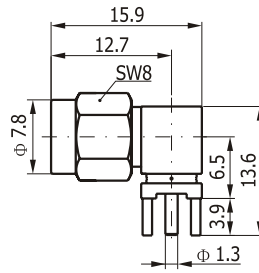
Straight PCB Plugs

| Product No. | Mounting Hole | Notes |
|-------------|---------------|-------|
| 181A-4801 | H64 | |



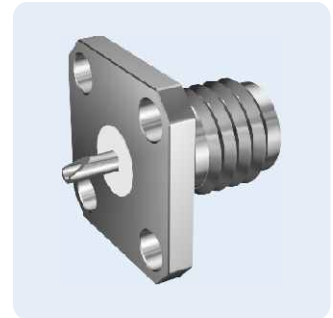
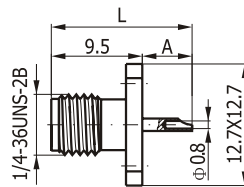
Right Angle PCB Plugs

| Product No. | Mounting Hole | Notes |
|-------------|---------------|-------|
| 183A-4801 | H64 | |



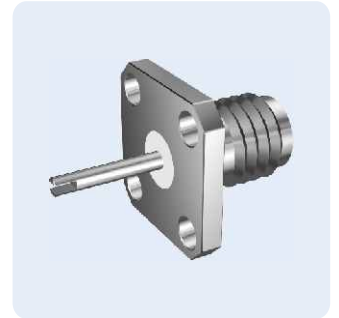
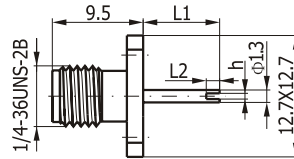
4. Flange Mount Connectors Straight Flange Jacks

| Product No. | Mounting Hole | Notes |
|-------------|---------------|--------------|
| 182A-0001 | H68 | A=5.2 L=14.7 |
| 182A-0002 | H68 | A=3.0 L=12.5 |



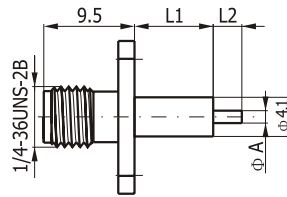
Straight Flange Jacks

| Product No. | Mounting Hole | Notes |
|-------------|---------------|---------------------|
| 182A-0003 | H68 | L1=8.0 L2=1.4 h=0.6 |
| 182A-0004 | H68 | L1=2.4 L2=1.6 h=0.6 |
| 182A-0005 | H68 | L1=2.5 L2=1.6 h=0.2 |
| 182A-0006 | H68 | L1=1.0 L2=1.0 h=0.4 |
| 182A-0007 | H68 | L1=1.0 L2=1.0 h=0.2 |



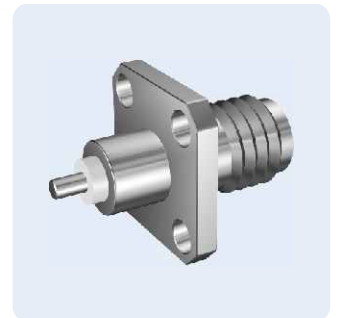
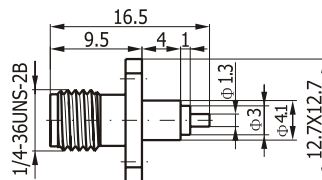
Straight Flange Jacks

| Product No. | Mounting Hole | Notes |
|-------------|---------------|----------------------|
| 182A-0008 | H52 | L1=15.0 L2=3.0 A=1.3 |
| 182A-0009 | H52 | L1=4.0 L2=2.0 A=1.3 |
| 182A-0010 | H52 | L1=3.2 L2=2.0 A=1.3 |
| 182A-0011 | H52 | L1=2.0 L2=4.0 A=1.3 |
| 182A-0012 | H52 | L1=4.0 L2=3.0 A=1.3 |
| 182A-0013 | H52 | L1=5.0 L2=3.0 A=0.8 |
| 182A-0014 | H52 | L1=3.0 L2=3.0 A=1.3 |
| 182D-0001 | H52 | L1=3.0 L2=3.0 A=1.3 |
| 182A-0015 | H52 | L1=5.0 L2=3.0 A=1.3 |
| 182A-0016 | H52 | L1=12.2 L2=4.0 A=1.3 |
| 182A-0002 | H52 | L1=3.2 L2=2.0 A=1.3 |
| 182A-0017 | H52 | L1=20.0 L2=5.0 A=1.3 |
| 182A-0018 | H52 | L1=6.0 L2=2.0 A=1.3 |
| 182A-0019 | H52 | L1=4.0 L2=8.0 A=1.3 |
| 182A-0020 | H52 | L1=62.0 L2=9.5 A=1.3 |



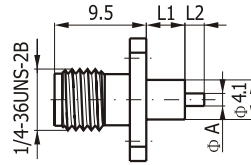
Straight Flange Jacks

| Product No. | Mounting Hole | Notes |
|-------------|---------------|-------|
| 182A-0021 | H71 | |



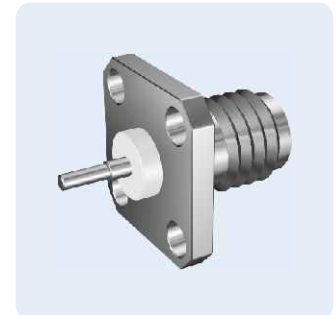
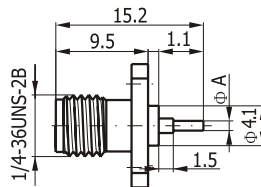
Straight Flange Jacks

| Product No. | Mounting Hole | Notes |
|-------------|---------------|----------------------|
| 182A-0022 | H71 | L1=4.0 L2=2.0 A=1.3 |
| 182A-0023 | H71 | L1=9.0 L2=2.0 A=1.3 |
| 182A-0024 | H71 | L1=15.0 L2=3.0 A=1.3 |
| 182A-0025 | H71 | L1=4.0 L2=0.6 A=0.4 |
| 182A-0026 | H71 | L1=4.0 A=1.3 L2=8.0 |
| 182A-0027 | H71 | L1=2.4 L2=2.5 A=1.3 |
| 182A-0028 | H71 | L1=13.0 L2=5.0 A=1.3 |
| 182A-0029 | H71 | L1=1.6 L2=13.1 A=1.3 |
| 182A-0030 | H71 | L1=7.5 A=0.4 L2=2.0 |
| 182A-0031 | H71 | L1=8.0 L2=3.0 A=1.3 |
| 182A-0032 | H71 | L1=5.0 L2=4.2 A=1.3 |
| 182A-0033 | H71 | L1=12.0 L2=2.0 A=1.3 |
| 182A-0034 | H71 | L1=9.0 A=0.4 L2=5.5 |



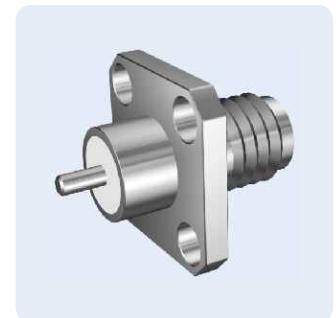
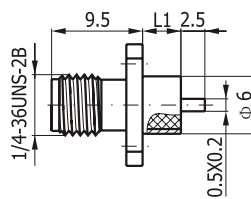
Straight Flange Jacks

| Product No. | Mounting Hole | Notes |
|-------------|---------------|-------|
| 182A-0035 | H71 | A=1.0 |
| 182A-0036 | H71 | A=0.6 |



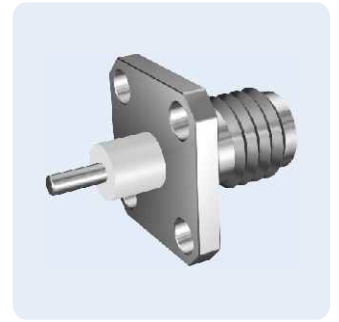
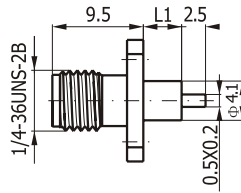
Straight Flange Jacks

| Product No. | Mounting Hole | Notes |
|-------------|---------------|--------|
| 182A-0037 | H73 | L1=2.4 |
| 182A-0038 | H73 | L1=3.2 |
| 182A-0039 | H73 | L1=4.8 |
| 182A-0040 | H73 | L1=4.0 |
| 182A-0041 | H73 | L1=3.0 |



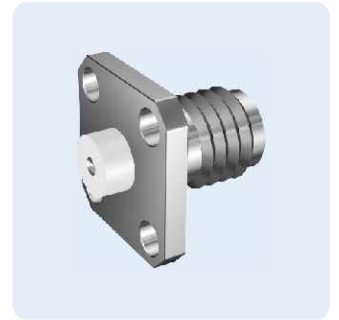
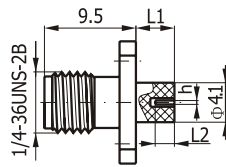
Straight Flange Jacks

| Product No. | Mounting Hole | Notes |
|-------------|---------------|--------|
| 182A-0042 | H71 | L1=4.0 |
| 182A-0043 | H71 | L1=3.2 |
| 182A-0044 | H71 | L1=2.4 |



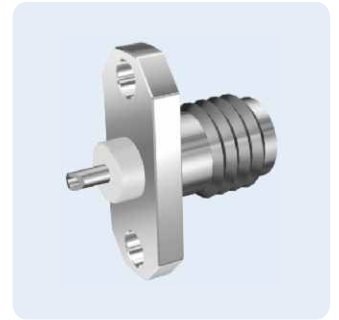
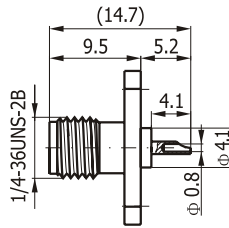
Straight Flange Jacks

| Product No. | Mounting Hole | Notes |
|-------------|---------------|---------------------|
| 182A-0045 | H71 | H=0.4 L1=2.0 L2=2.0 |
| 182A-0046 | H71 | H=0.2 L1=3.0 L2=2.5 |



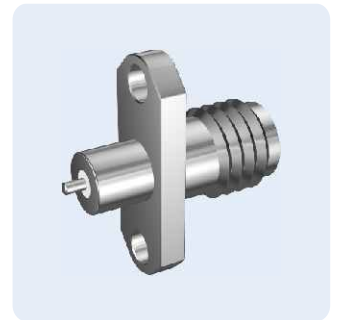
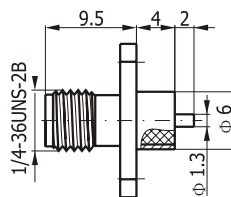
Straight Flange Jacks

| Product No. | Mounting Hole | Notes |
|-------------|---------------|-------|
| 182A-0047 | H52 | |



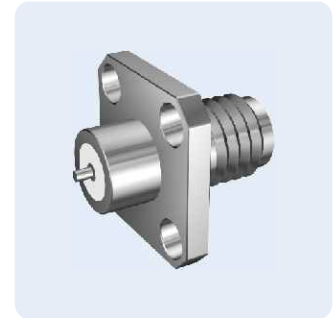
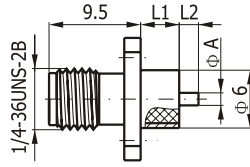
Straight Flange Jacks

| Product No. | Mounting Hole | Notes |
|-------------|---------------|-------|
| 182D-0003 | H54 | |



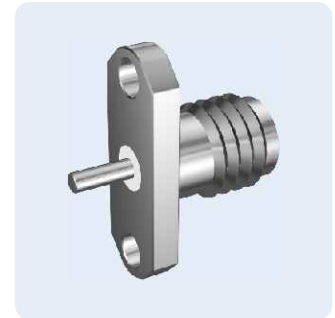
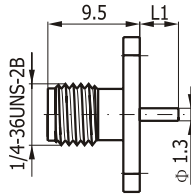
Straight Flange Jacks

| Product No. | Mounting Hole | Notes |
|-------------|---------------|---------------------|
| 182A-0048 | H73 | L1=4.0 L2=2.0 A=1.3 |
| 182A-0049 | H73 | L1=3.2 L2=3.0 A=1.3 |
| 182A-0050 | H73 | L1=2.4 L2=2.5 A=1.0 |
| 182A-0051 | H73 | L1=3.0 L2=1.5 A=0.7 |
| 182A-0052 | H73 | L1=4.0 L2=1.5 A=0.8 |
| 182D-0004 | H73 | L1=3.0 L2=1.5 A=0.7 |
| 182A-0053 | H73 | L1=2.5 L2=2.5 A=1.3 |



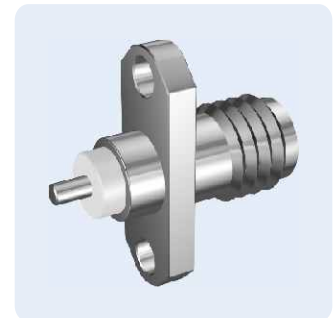
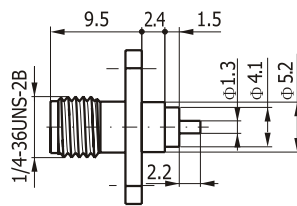
Straight Flange Jacks

| Product No. | Mounting Hole | Notes |
|-------------|---------------|-------|
| 182A-0054 | H50 | L=4.0 |
| 182A-0055 | H50 | L=2.5 |



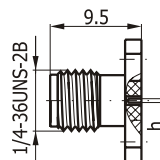
Straight Flange Jacks

| Product No. | Mounting Hole | Notes |
|-------------|---------------|-------|
| 182A-0056 | H53 | |



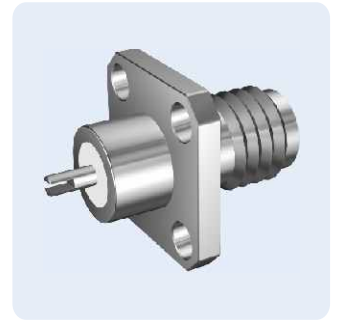
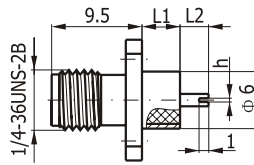
Straight Flange Jacks

| Product No. | Mounting Hole | Notes |
|-------------|---------------|-------|
| 182A-0057 | H68 | h=0.2 |
| 182A-0058 | H68 | h=0.4 |



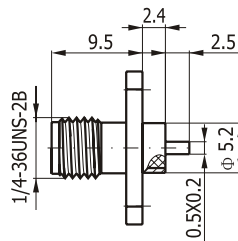
Straight Flange Jacks

| Product No. | Mounting Hole | Notes |
|-------------|---------------|---------------------|
| 182A-0059 | H73 | L1=4.0 L2=3.0 h=0.4 |
| 182A-0060 | H73 | L1=1.0 L2=1.0 h=0.4 |
| 182A-0061 | H73 | L1=4.0 L2=1.0 h=0.2 |



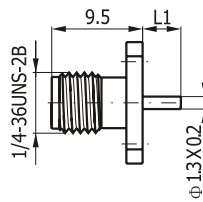
Straight Flange Jacks

| Product No. | Mounting Hole | Notes |
|-------------|---------------|-------|
| 182A-0062 | H53 | |



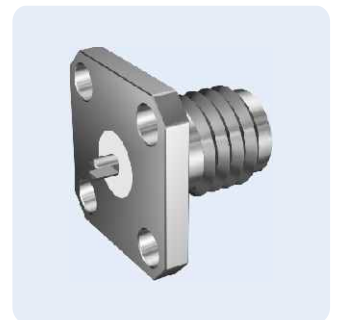
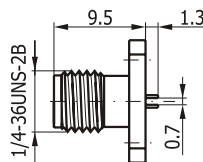
Straight Flange Jacks

| Product No. | Mounting Hole | Notes |
|-------------|---------------|--------|
| 182A-0063 | H68 | L1=2.5 |
| 182A-0064 | H68 | L1=1.4 |



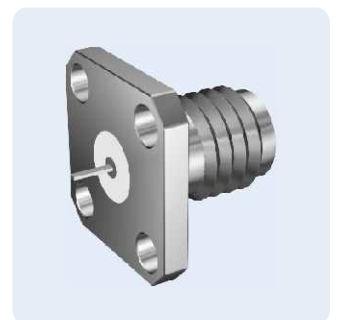
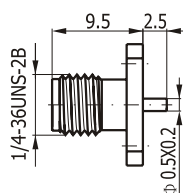
Straight Flange Jacks

| Product No. | Mounting Hole | Notes |
|-------------|---------------|-------|
| 182A-0065 | H68 | |



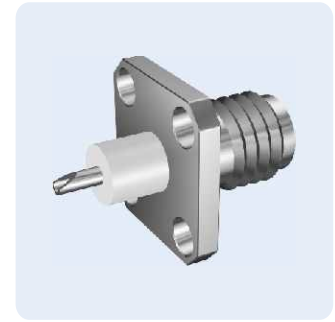
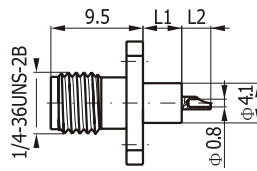
Straight Flange Jacks

| Product No. | Mounting Hole | Notes |
|-------------|---------------|-------|
| 182A-0066 | H68 | |



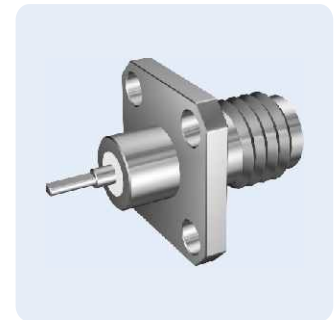
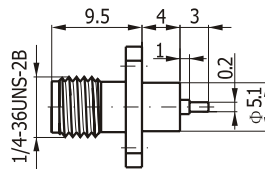
Straight Flange Jacks

| Product No. | Mounting Hole | Notes |
|-------------|---------------|---------------|
| 182A-0067 | H71 | L1=4.0 L2=3.0 |
| 182A-0068 | H71 | L1=5.2 L2=2.8 |



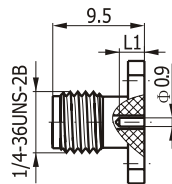
Straight Flange Jacks

| Product No. | Mounting Hole | Notes |
|-------------|---------------|-------|
| 182A-0069 | H72 | |



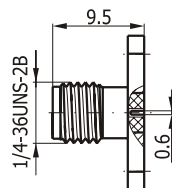
Straight Flange Jacks

| Product No. | Mounting Hole | Notes |
|-------------|---------------|--------------|
| 182A-0070 | H68 | L1=2.6 A=2.9 |
| 182A-0071 | H68 | L1=2.8 * |



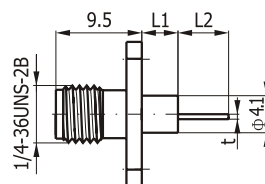
Straight Flange Jacks

| Product No. | Mounting Hole | Notes |
|-------------|---------------|-------|
| 182A-0072 | H50 | |



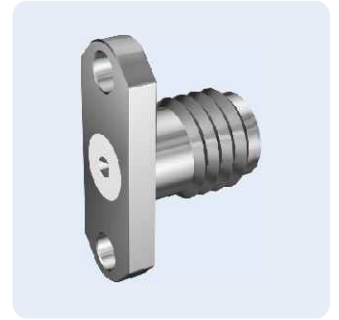
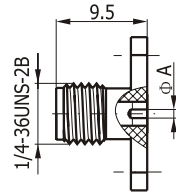
Straight Flange Jacks

| Product No. | Mounting Hole | Notes |
|-------------|---------------|----------------------|
| 182A-0073 | H52 | L1=2.5 L2=5.5 t=0.62 |
| 182A-0074 | H52 | L1=4.0 L2=5.6 t=0.55 |



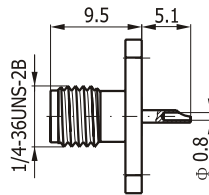
Straight Flange Jacks

| Product No. | Mounting Hole | Notes |
|-------------|---------------|-------|
| 182A-0075 | H50 | A=0.6 |
| 182A-0076 | H50 | A=0.4 |
| 182D-0005 | H50 | A=0.4 |
| 182A-0077 | H99 | A=0.6 |
| 182D-0006 | H50 | A=0.6 |
| 182A-0078 | H50 | A=0.8 |
| 182A-0079 | H50 | A=0.9 |
| 182A-0080 | H99 | A=0.4 |
| 182A-0081 | H50 | A=0.5 |
| 182D-0007 | H50 | A=0.5 |



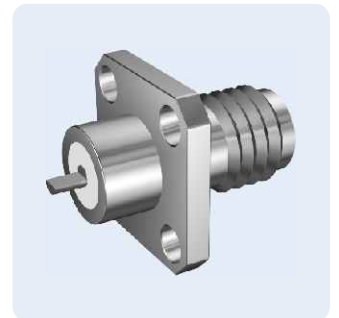
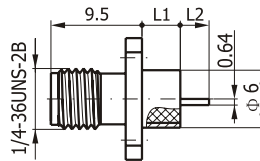
Straight Flange Jacks

| Product No. | Mounting Hole | Notes |
|-------------|---------------|-------|
| 182A-0082 | H50 | |



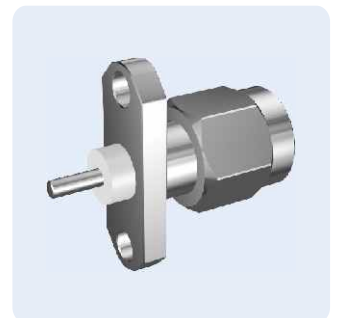
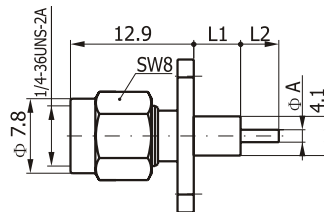
Straight Flange Jacks

| Product No. | Mounting Hole | Notes |
|-------------|---------------|---------------|
| 182A-0083 | H73 | L1=3.0 L2=2.5 |
| 182D-0008 | H73 | L1=3.0 L2=2.5 |



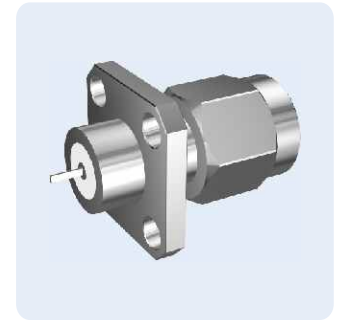
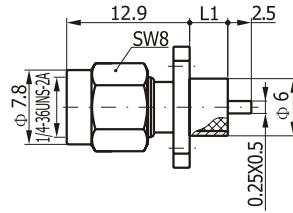
Straight Flange Plugs

| Product No. | Mounting Hole | Notes |
|-------------|---------------|---------------------|
| 181A-0001 | H52 | L1=8.6 L2=4.0 A=1.3 |
| 181A-0002 | H52 | L1=2.0 L2=4.0 A=1.3 |
| 181A-0003 | H52 | L1=5.2 L2=3.0 A=0.8 |



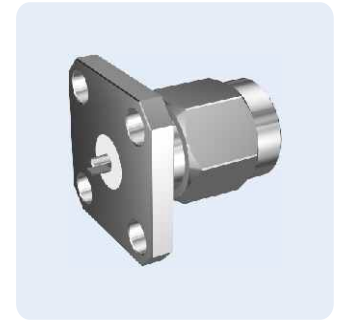
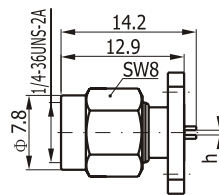
Straight Flange Plugs

| Product No. | Mounting Hole | Notes |
|-------------|---------------|--------|
| 181A-0004 | H73 | L1=2.4 |
| 181A-0005 | H73 | L1=3.2 |
| 181A-0006 | H73 | L1=4.8 |
| 181A-0007 | H73 | L1=4.0 |



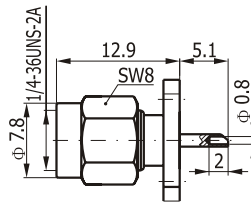
Straight Flange Plugs

| Product No. | Mounting Hole | Notes |
|-------------|---------------|-------|
| 181A-0008 | H68 | h=0.5 |
| 181A-0009 | H68 | h=0.2 |



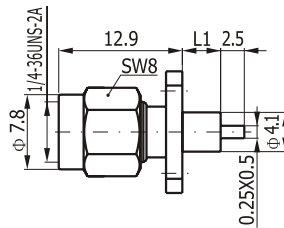
Straight Flange Plugs

| Product No. | Mounting Hole | Notes |
|-------------|---------------|-------|
| 181A-0010 | H68 | |



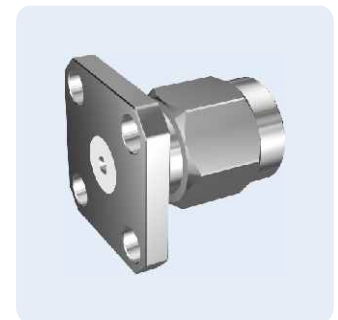
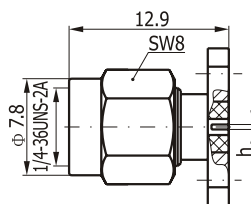
Straight Flange Plugs

| Product No. | Mounting Hole | Notes |
|-------------|---------------|--------|
| 181A-0011 | H71 | L1=3.2 |
| 181A-0012 | H71 | L1=4.0 |
| 181A-0013 | H71 | L1=2.4 |



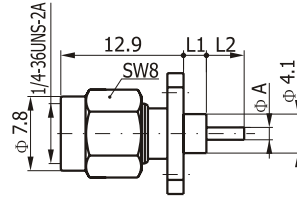
Straight Flange Plugs

| Product No. | Mounting Hole | Notes |
|-------------|---------------|-------|
| 181A-0014 | H68 | h=0.2 |
| 181A-0015 | H68 | h=0.4 |



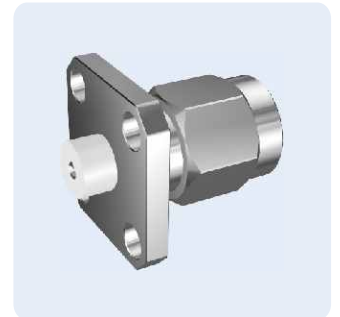
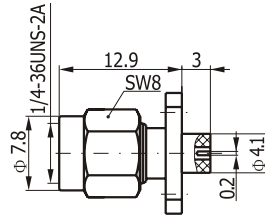
Straight Flange Plugs

| Product No. | Mounting Hole | Notes |
|-------------|---------------|---------------------|
| 181A-0016 | H71 | L1=2.4 L2=4.0 A=1.3 |
| 181A-0017 | H71 | L1=8.4 L2=2.0 A=1.3 |
| 181A-0018 | H71 | L1=8.4 L2=4.0 A=1.3 |
| 181A-0019 | H71 | L1=4.0 L2=0.6 A=0.4 |
| 181A-0020 | H71 | L1=5.0 L2=4.5 A=1.3 |
| 181A-0021 | H71 | L1=7.5 L2=2.0 A=1.3 |



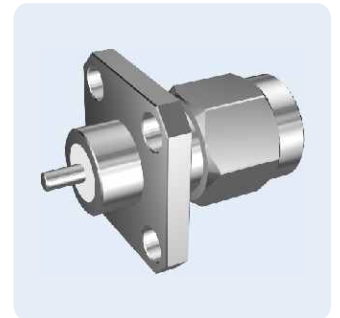
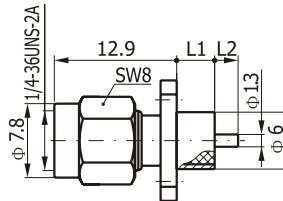
Straight Flange Plugs

| Product No. | Mounting Hole | Notes |
|-------------|---------------|-------|
| 181A-0022 | H71 | |



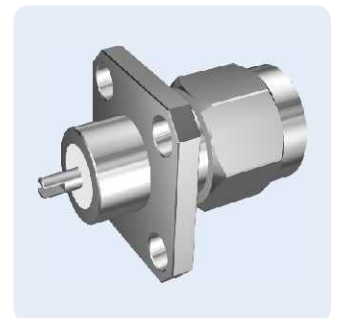
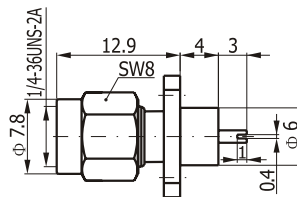
Straight Flange Plugs

| Product No. | Mounting Hole | Notes |
|-------------|---------------|---------------|
| 181A-0023 | H73 | L1=3.2 L2=3.0 |
| 181A-0024 | H73 | L1=4.0 L2=2.5 |



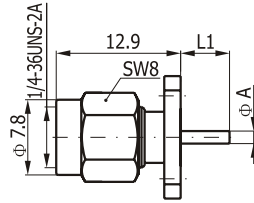
Straight Flange Plugs

| Product No. | Mounting Hole | Notes |
|-------------|---------------|-------|
| 181A-0025 | H73 | |



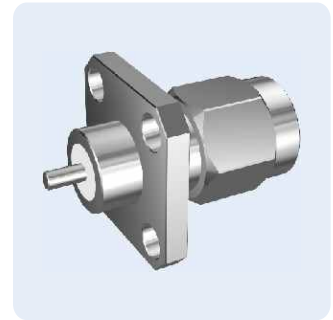
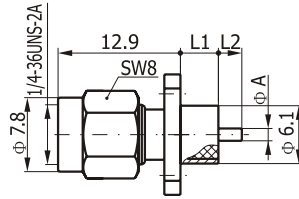
Straight Flange Plugs

| Product No. | Mounting Hole | Notes |
|-------------|---------------|--------------|
| 181A-0026 | H68 | L1=4.0 A=1.3 |
| 181A-0027 | H67 | L1=1.6 A=0.9 |
| 181A-0028 | H67 | L1=1.2 A=0.8 |
| 181A-0029 | H66 | L1=0.9 A=0.5 |



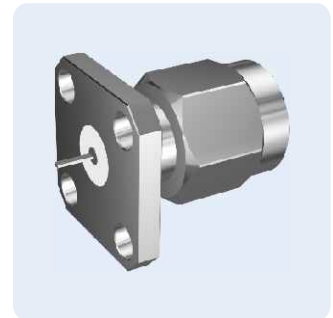
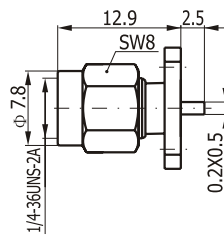
Straight Flange Plugs

| Product No. | Mounting Hole | Notes |
|-------------|---------------|---------------------|
| 181A-0030 | H73 | L1=2.4 L2=2.5 A=1.0 |
| 181A-0031 | H73 | L1=3.0 L2=1.5 A=0.7 |



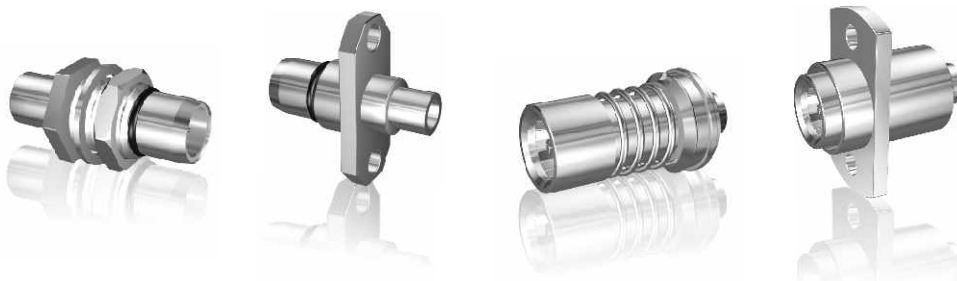
Straight Flange Plugs

| Product No. | Mounting Hole | Notes |
|-------------|---------------|-------|
| 181A-0032 | H68 | |



Series BMA are modular blind mate miniature RF coaxial connectors. Which are especially designed for blind mate applications in low power microwave communication system, military and civil data microwave communication system where high reliability and easy assembly will be required.

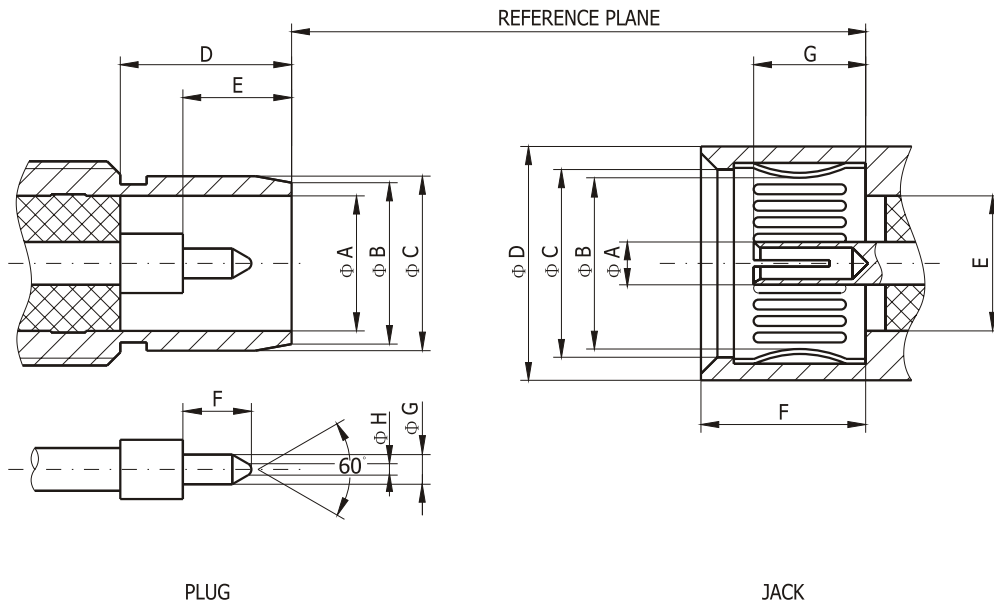
The interface dimensions and technical characteristics are in accord with the specifications of IEC 1169-33 and MIL-STD-348A/321.



| | | KEY PERFORMANCE | | |
|--------------------------|-----------|---------------------------------|------------------|-------|
| Temperature range | -65~+125℃ | Dielectric Withstanding voltage | 750V(rms) | |
| Characteristic impedance | 50 Ω | VSWR | ≤1.30 | |
| Frequency range | 0~18GHz | Contact resistance | Center conductor | ≤3m Ω |
| Insulation resistance | ≥ 5000MΩ | | Outer conductor | ≤2m Ω |

| | | MATERIAL AND PLATING |
|------------------------|--|----------------------|
| Body | Brass,gold/nickel plated or stainless steel passivated | |
| Male center contacts | Brass,gold plated | |
| Female center contacts | Beryllium copper ,gold plated | |
| Insulators | PTFE | |
| Crimp ferrules | Copper alloy, nickel plated | |

Interface Dimensions in mm

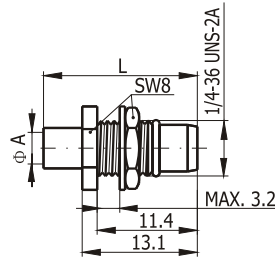


| Letter | Plug(male) | | Jack(female) | |
|--------|------------|---------|--------------|---------|
| | Minimum | Maximum | Minimum | Maximum |
| A | 4.10nom | — | 1.78nom | — |
| B | 4.88nom | — | — | 5.08 |
| C | 5.31 | 5.36 | 5.72 | — |
| D | 5.03 | — | 7.37 | — |
| E | 3.25 | 3.35 | — | 4.10nom |
| F | 2.16 | 2.41 | — | 5.03 |
| G | 0.90 | 0.94 | 3.05 | 3.23 |
| H | — | 0.25 | — | — |

1 . Semi-rigid Cable connectors

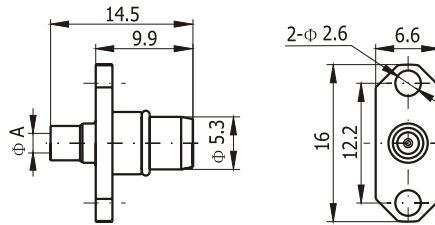
Straight Bulkhead Cable Plugs

| Product No. | Apply cable | Mounting Hole | Notes |
|-------------|-------------|---------------|--------------|
| 191A-2661 | .047 | H2 | A=1.3 L=16.0 |
| 191A-2662 | .086 | H2 | A=2.2 L=17.5 |
| 191A-2663 | .141 | H2 | A=3.6 L=17.5 |



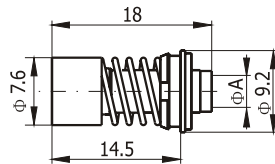
Straight Flange Mount Cable Plugs

| Product No. | Apply cable | Mounting Hole | Notes |
|-------------|-------------|---------------|-------|
| 191A-1661 | .047 | H53 | A=1.3 |
| 191A-1662 | .086 | H53 | A=2.2 |
| 191A-1663 | .141 | H53 | A=3.6 |



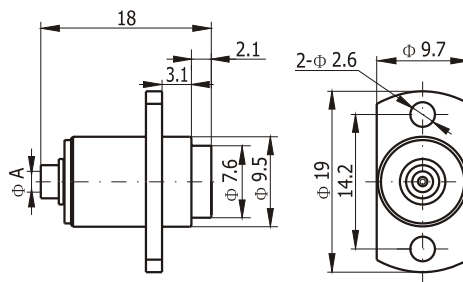
Bulkhead Mount Cable Jacks

| Product No. | Apply cable | Mounting Hole | Notes |
|-------------|-------------|---------------|-------|
| 192A-2661 | .086 | H101 | A=2.2 |
| 192A-2662 | .141 | H101 | A=3.6 |



Straight Flange Mount Cable Jacks

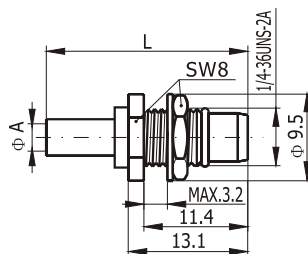
| Product No. | Apply cable | Mounting Hole | Notes |
|-------------|-------------|---------------|-------|
| 192A-1661 | .086 | H47 | A=2.2 |
| 192A-1662 | .141 | H47 | A=3.6 |



2. Flexible Cable Connectors

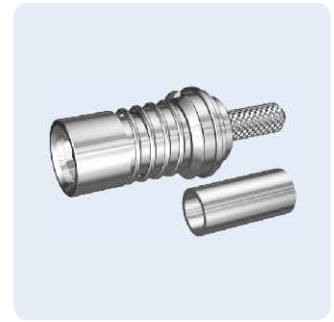
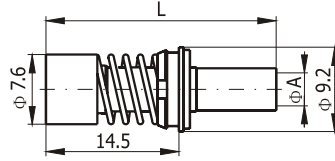
Straight Bullhead Cable Plugs

| Product No. | Apply cable | Mounting Hole | Notes |
|-------------|-------------|---------------|--------------|
| 191A-2501 | 2.5 /3/50S | H2 | A=3.1 L=22.6 |
| 191A-2502 | 2.5/50D | H2 | A=3.4 L=23.6 |
| 191A-2503 | 5/50S | H2 | A=5.2 L=26.6 |
| 191A-2504 | 5/50D | H2 | A=5.7 L=28.1 |



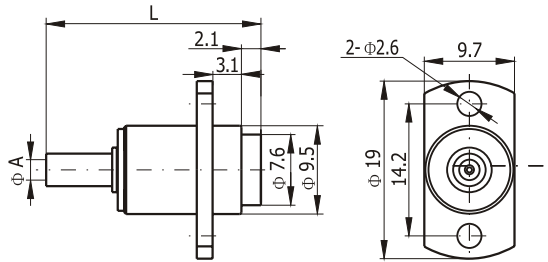
Bulkhead Cable Jacks

| Product No. | Apply cable | Mounting Hole | Notes |
|-------------|-------------|---------------|--------------|
| 192A-2501 | 2.5/3/50S | H101 | A=3.1 L=24 |
| 192A-2502 | 2.5/50D | H101 | A=3.4 L=25 |
| 192A-2503 | 5/50S | H101 | A=5.2 L=28 |
| 192A-2504 | 5/50D | H101 | A=5.7 L=29.5 |



Straight Flange Mount Cable Jacks

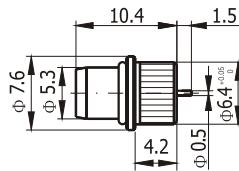
| Product No. | Apply cable | Mounting Hole | Notes |
|-------------|-------------|---------------|--------------|
| 192A-1501 | 2.5/3/50S | H47 | A=3.1 L=24 |
| 192A-1502 | 2.5/50D | H47 | A=3.4 L=25 |
| 192A-1503 | 5/50S | H47 | A=5.2 L=28 |
| 192A-1504 | 5/50D | H47 | A=5.7 L=29.5 |



3. Panel Feed through Connectors

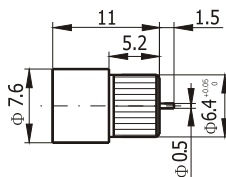
Panel Press-Fit Plugs

| Product No. | Mounting Hole | Notes |
|-------------|---------------|-------|
| 191A-3801 | H102 | |



Panel Press – Fit Jacks

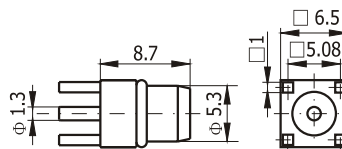
| Product No. | Mounting Hole | Notes |
|-------------|---------------|-------|
| 192A-3801 | H103 | |



4. PCB Connectors

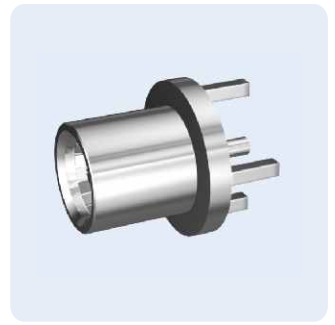
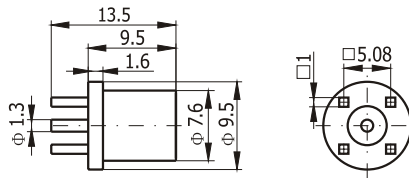
Straight PCB Plugs

| Product No. | Mounting Hole | Notes |
|-------------|---------------|-------|
| 191A-4801 | H64 | |



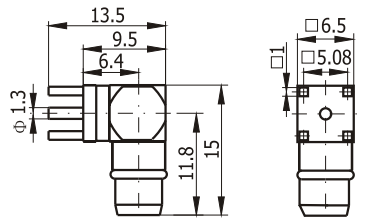
Straight PCB Jacks

| Product No. | Mounting Hole | Notes |
|-------------|---------------|-------|
| 192A-4801 | H64 | |



Right Angle PCB Plugs

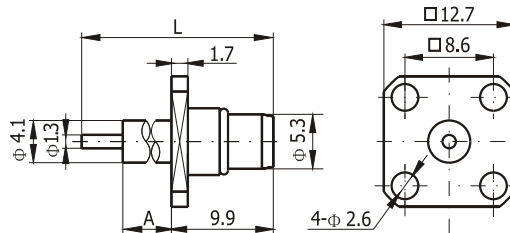
| Product No. | Mounting Hole | Notes |
|-------------|---------------|-------|
| 193A-4801 | H64 | |



5. Flang Mount Connectors

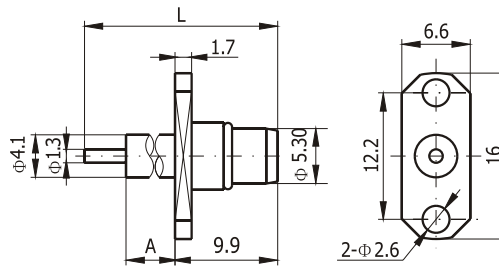
Straight Flange Mount Plugs

| Product No. | Mounting Hole | Notes |
|-------------|---------------|---------------|
| 191A-0001 | H71 | L=22.3 A=8.4 |
| 191A-0002 | H71 | L=15.9 A=4.0 |
| 191A-0003 | H71 | L=14.9 A=3.0 |
| 191A-0004 | H71 | L=27.8 A=15.0 |



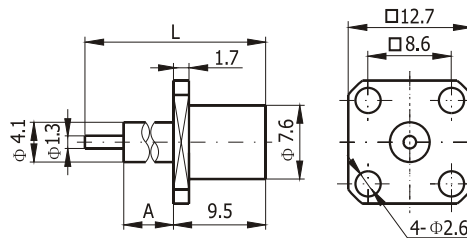
Straight Flange Mount Plugs

| Product No. | Mounting Hole | Notes |
|-------------|---------------|---------------|
| 191A-0005 | H52 | L=22.3 A=4.0 |
| 191A-0006 | H52 | L=15.9 A=4.0 |
| 191A-0007 | H52 | L=14.9 A=3.0 |
| 191A-0008 | H52 | L=27.8 A=15.0 |



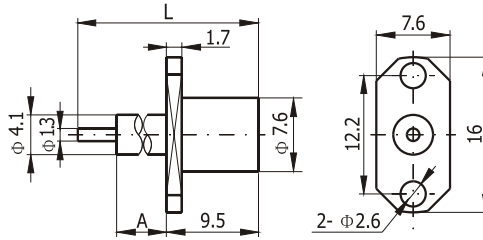
Straight Flange Mount Jacks

| 产品编码 Product No. | 安装尺寸 Mounting Hole | 备注 Notes |
|---------------------|-----------------------|---------------|
| 192A-0001 | H71 | L=21.9 A=8.4 |
| 192A-0002 | H71 | L=15.5 A=4.0 |
| 192A-0003 | H71 | L=14.5 A=3.0 |
| 192A-0004 | H71 | L=27.4 A=15.0 |



Straight Flange Mount Jacks

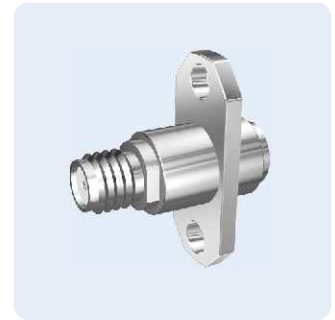
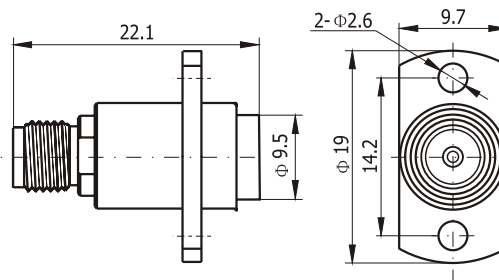
| Product No. | Mounting Hole | Notes |
|-------------|---------------|---------------|
| 192A-0005 | H52 | L=21.9 A=8.4 |
| 192A-0006 | H52 | L=15.5 A=4.0 |
| 192A-0007 | H52 | L=14.5 A=3.0 |
| 192A-0008 | H52 | L=27.4 A=15.0 |



6. Adapters

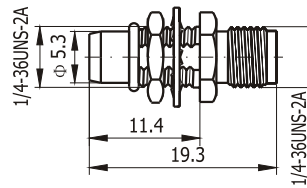
Straight Flange Mount BMA/SMA Jack to Jack

| Product No. | Mounting Hole | Notes |
|-------------|---------------|-------|
| 19180-131 | H47 | |



Straight Bulkhead BMA/SMA Plug to Jack

| Product No. | Mounting Hole | Notes |
|-------------|---------------|-------|
| 19180-221 | H14 | |



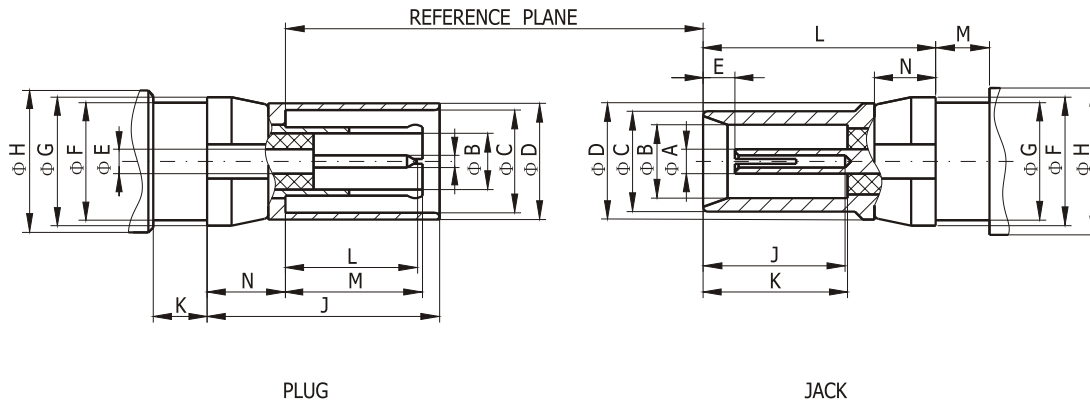
Series DKZ(1.0/2.3 DIN 41626) are slide-on coupling miniature coaxial inserts. Which have the excellent performances of small size, high mechanical and electrical stability, are especially used in the PCB connectors of mixtures of high and low frequency for radio telecommunication equipment to connect RF circuits with RF cables, and suitable for applications up to 4GHz.
 The interface dimensions and technical characteristics are in accord with the specifications of DIN 41626/2.



| | | KEY PERFORMANCE | |
|--------------------------|----------------------------------|---------------------------------|------------|
| Temperature range | -55 ~ +125℃ | Insulation resistance | ≥1000MΩ |
| Characteristic impedance | 50Ω/75Ω | Dielectric Withstanding Voltage | 750V(rms) |
| Frequency range | 0 ~ 2GHz(50Ω) 0 ~ 1.5GHz(75Ω) | Voltage rating | 250V(rms) |
| Contact resistance | Center conductor | ≤10mΩ | Durability |
| | Outer conductor | ≤5mΩ | |

| | | MATERIAL AND PLATING |
|------------------------|--|-------------------------------------|
| Body | | Brass,gold plated |
| Male center contacts | | Brass,gold plated |
| Female center contacts | | Beryllium copper,gold plated |
| Insulators | | PTFE |
| Crimp ferrules | | Copper alloy, nickel or gold plated |
| Spring contacts | | Beryllium copper,gold plated |

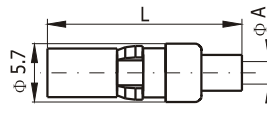
Interface Dimensions in mm



| Letter | Plug(male) | | Jack(female) | |
|--------|------------|---------|--------------|---------|
| | Minimum | Maximum | Minimum | Maximum |
| A | 0.475 | 0.520 | — | 1.00 |
| B | — | 2.30 | 3.00 | 3.06 |
| C | 4.20 | 4.275 | 4.03 | 4.15 |
| D | 4.72 | 4.75 | 4.72 | 4.75 |
| E | — | 1.00 | 1.15 | 1.45 |
| F | 4.76 | 4.79 | — | 5.25 |
| G | — | 5.25 | 4.76 | 4.79 |
| H | — | 6.00 | — | 6.00 |
| J | 9.25 | 9.35 | 5.50 | — |
| K | 2.22 | 2.40 | 5.80 | 5.90 |
| L | 5.20 | 5.50 | 9.50 | 9.60 |
| M | 5.40 | 5.70 | 2.22 | 2.40 |
| N | 3.05 | 3.20 | 2.45 | 2.50 |

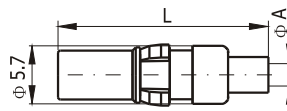
1. Semi-rigid Cable connectors Straight Cable Plugs

| Product No. | Apply cable | Notes |
|-------------|-------------|--------------|
| 211A-7661 | .047 | A=1.3 L=18.0 |
| 211A-7662 | .086 | A=2.2 L=19.0 |



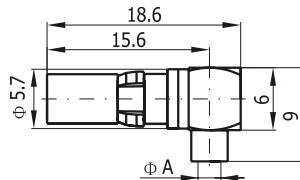
Straight Cable Jacks

| Product No. | Apply cable | Notes |
|-------------|-------------|--------------|
| 212A-7661 | .047 | A=1.3 L=18.2 |
| 212A-7662 | .086 | A=2.2 L=19.2 |



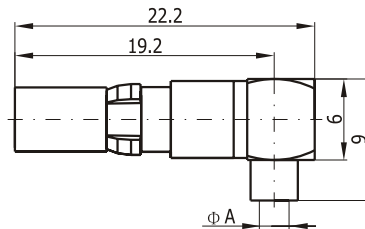
Right Angle Cable Plugs

| Product No. | Apply cable | Notes |
|-------------|-------------|-------|
| 213A-7661 | .047 | A=1.3 |
| 213A-7662 | .086 | A=2.2 |



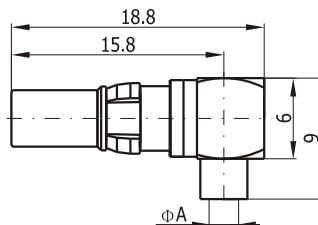
Right Angle Cable Jacks

| Product No. | Apply cable | Notes |
|-------------|-------------|-------|
| 213A-7663 | .047 | A=1.3 |
| 213A-7664 | .086 | A=2.2 |



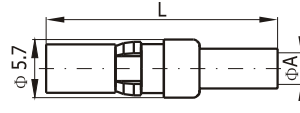
Right Angle Cable Jacks

| Product No. | Apply cable | Notes |
|-------------|-------------|-------|
| 214A-7661 | .047 | A=1.3 |
| 214A-7662 | .086 | A=2.2 |



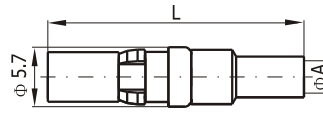
2 . Flexible Cable connectors Straight Cable Plugs

| Product No. | Apply cable | Notes |
|-------------|-------------|--------------|
| 211A-7501 | 2/50S | A=2.5 L=22.2 |
| 211A-7502 | 2.5/3/50S | A=3.1 L=22.7 |
| 211A-7503 | 2.5/50D | A=3.4 L=23.7 |



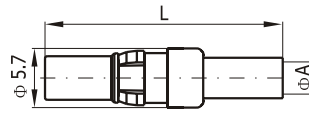
Straight Cable Plugs

| Product No. | Apply cable | Notes |
|-------------|-------------|--------------|
| 211A-7504 | 2/50S | A=2.5 L=24.2 |
| 211A-7505 | 2.5/3/50S | A=3.1 L=24.5 |
| 211A-7506 | 2.5/50D | A=3.4 L=24.5 |



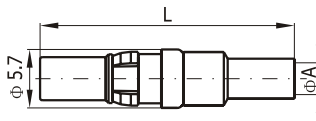
Straight Cable Jacks

| Product No. | Apply cable | Notes |
|-------------|-------------|--------------|
| 212A-7501 | 2/50S | A=2.5 L=22.4 |
| 212A-7502 | 2.5/3/50S | A=3.1 L=22.9 |
| 212A-7503 | 2.5/50D | A=3.4 L=23.9 |



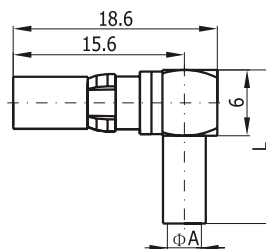
Straight Cable Jacks

| Product No. | Apply cable | Notes |
|-------------|-------------|--------------|
| 212A-7504 | 2/50S | A=2.5 L=24.4 |
| 212A-7505 | 2.5/3/50S | A=3.1 L=24.7 |
| 212A-7506 | 2.5/50D | A=3.4 L=24.7 |



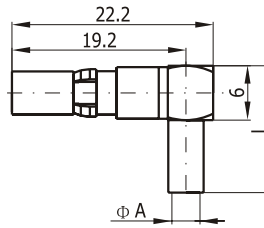
Right Angle Cable Plugs

| Product No. | Apply cable | Notes |
|-------------|-------------|--------------|
| 213A-7501 | 2/50S | A=2.5 L=13.5 |
| 213A-7502 | 2.5/3/50S | A=3.1 L=14.0 |
| 213A-7503 | 2.5/50D | A=3.4 L=15.0 |



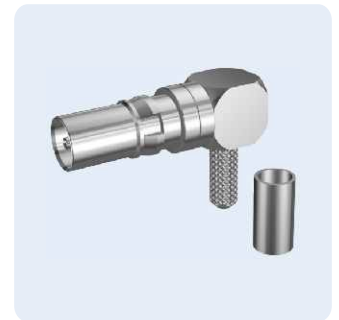
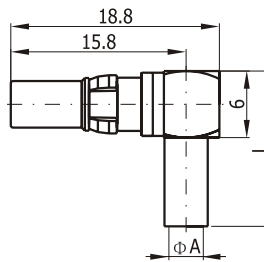
Right Angle Cable Plugs

| Product No. | Apply cable | Notes |
|-------------|-------------|--------------|
| 213A-7504 | 2/50S | A=2.5 L=13.5 |
| 213A-7505 | 2.5/3/50S | A=3.1 L=14.0 |
| 213A-7506 | 2.5/50D | A=3.4 L=15.0 |



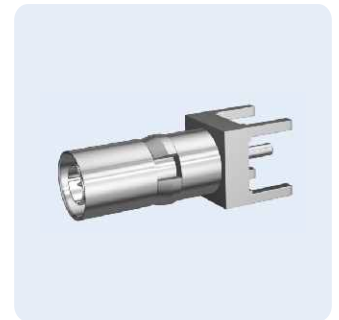
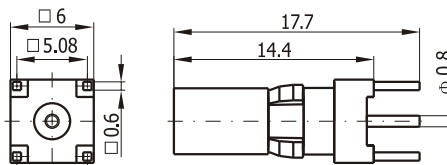
Right Angle Cable Jacks

| Product No. | Apply cable | Notes |
|-------------|-------------|--------------|
| 214A-7501 | 2/50S | A=2.5 L=13.5 |
| 214A-7502 | 2.5/3/50S | A=3.1 L=14.0 |
| 214A-7503 | 2.5/50D | A=3.4 L=15.0 |



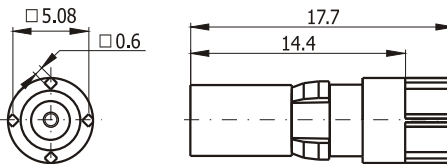
3. PCB connectors Straight PCB Plugs

| Product No. | Mounting Hole | Notes |
|-------------|---------------|-------|
| 211A-4801 | H63 | |



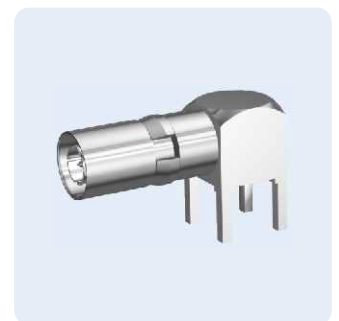
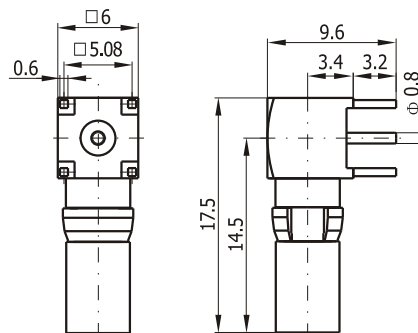
Straight PCB Plugs

| Product No. | Mounting Hole | Notes |
|-------------|---------------|-------|
| 211A-4802 | H61 | |



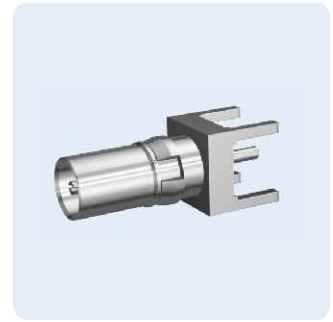
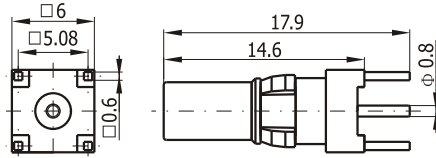
Right Angle PCB Plugs

| Product No. | Mounting Hole | Notes |
|-------------|---------------|-------|
| 213A-4801 | H63 | |



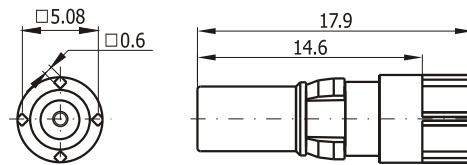
Straight PCB Jacks

| Product No. | Mounting Hole | Notes |
|-------------|---------------|-------|
| 212A-4801 | H63 | |



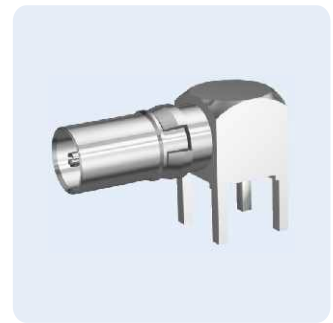
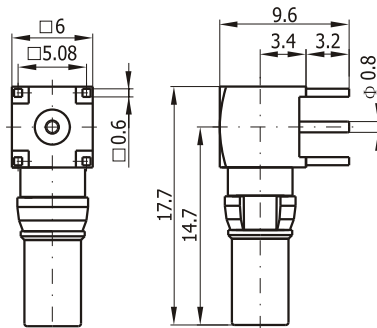
Straight PCB Jacks

| Product No. | Mounting Hole | Notes |
|-------------|---------------|-------|
| 212A-4802 | H61 | |



Right Angle PCB Jacks

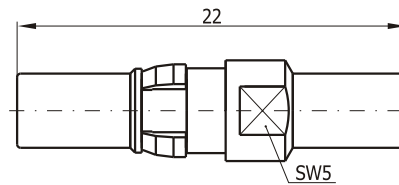
| Product No. | Mounting Hole | Notes |
|-------------|---------------|-------|
| 214A-4801 | H63 | |



4. Adapters

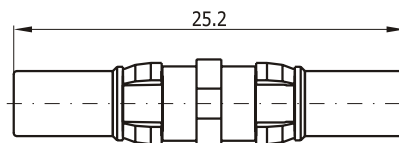
Straight DKZ/DKZ Jack to Jack

| Product No. | Notes |
|-------------|-------|
| 210A-7931 | |



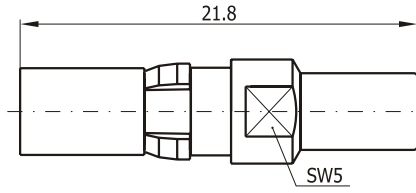
Straight DKZ/DKZ Jack to Jack

| Product No. | Notes |
|-------------|-------|
| 210A-7932 | |



Straight DKZ/DKZ Plug to Jack

| Product No. | Notes |
|-------------|-------|
| 210A-7921 | |



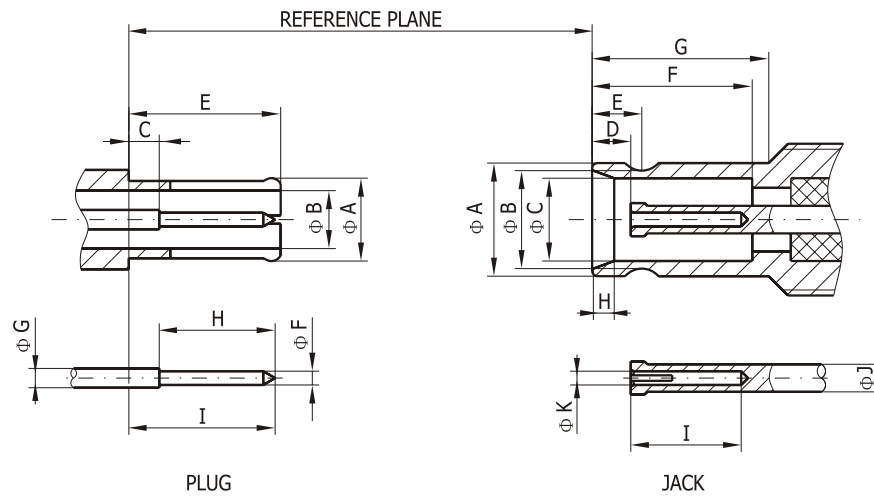
Series SAA(1.0/2.3) are slide-on coupling micro-miniature coaxial connectors. The special slide-on and quick automatic latching coupling mechanism can ensure a short connect/disconnect time and the excellent performances and widely can be used to meet the requirements of sensitivity and smaller space in the communication systems and high speed digital equipment. The interface dimensions and technical characteristics are in accord with the specifications of CECC22230 and DIN 47297.



| | | KEY PERFORMANCE | | |
|--------------------------|-----------------------------------|---------------------------------|------------------|------------|
| Temperature range | -65~+155°C | Insulation resistance | ≥ 1000MΩ | |
| Characteristic impedance | 50 Ω/75 Ω | Dielectric Withstanding voltage | 750V(rms) | |
| Frequency range | 0~4.8GHz(50 Ω) 0-1.65GHz(75 Ω) | Contact resistance | Center conductor | ≤ 10mΩ |
| | | | Outer conductor | ≤ 7.5mΩ |
| VSWR | Straight | ≤ 1.25 | Durability | 500 Cycles |
| | Right angle | ≤ 1.40 | | |

| | | MATERIAL AND PLATING |
|------------------------|--|-------------------------------|
| Body | | Brass, gold plated |
| Male center contacts | | Brass, gold plated |
| Female center contacts | | Beryllium copper ,gold plated |
| Insulators | | PTFE |
| Spring contacts | | Beryllium copper ,gold plated |
| Crimp ferrules | | Copper alloy, nickel plated |

Interface Dimensions in mm

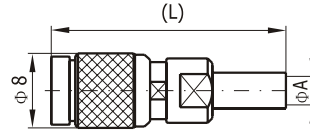


| Letter | Plug(male) | | Jack(female) | |
|--------|------------|---------|--------------|---------|
| | Minimum | Maximum | Minimum | Maximum |
| A | — | — | 4.03 | 4.15 |
| B | 2.30 | 2.35 | 3.53 | 3.60 |
| C | — | 1.15 | 3.00 | 3.06 |
| D | — | — | 1.15 | 1.75 |
| E | 5.40 | 5.70 | 1.80 | 1.90 |
| F | 0.48 | 0.52 | 5.80 | 5.90 |
| G | 0.97 | 1.00 | 6.40 | 6.50 |
| H | 4.20 | 4.30 | 0.50 | 0.60 |
| I | 5.30 | 5.50 | 4.45 | 4.55 |
| J | — | — | 0.97 | 1.00 |

1. Flexible Cable Connectors

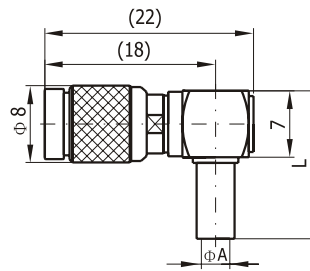
Straight Cable Plugs

| Product No. | Apply cable | Notes |
|-------------|-------------|--------------|
| 221A-7501 | 2.5/3/50S | A=3.1 L=25.5 |
| 221A-7502 | 2.5/50D | A=3.4 L=26.5 |
| 221A-7503 | 4/50S | A=3.4 L=27.5 |
| 221A-7504 | 5/50S | A=5.2 L=29.5 |
| 221A-7505 | 5/50D | A=5.7 L=31.0 |



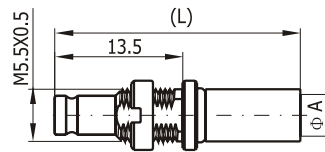
Right Angle Cable Plugs

| Product No. | Apply cable | Notes |
|-------------|-------------|--------------|
| 223A-7501 | 2/50S | A=2.5 L=15.0 |
| 223A-7502 | 2.5/3/50S | A=3.1 L=15.5 |
| 223A-7503 | 2.5/50D | A=3.4 L=16.5 |
| 223A-7504 | 4/50S | A=4.2 L=17.5 |
| 223A-7505 | 5/50S | A=5.2 L=19.5 |
| 223A-7506 | 5/50D | A=5.7 L=21.0 |



Straight Bulkhead Cable Jacks

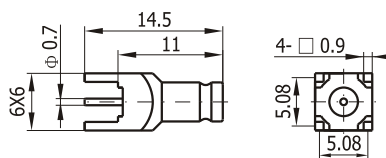
| Product No. | Apply cable | Mounting Hole | Notes |
|-------------|-------------|---------------|--------------|
| 222A-2501 | 2.5/3/50S | H32 | A=3.1 L=24.0 |
| 222A-2502 | 2.5/50D | H32 | A=3.4 L=25.0 |
| 222A-2503 | 4/50S | H32 | A=4.2 L=26.0 |
| 222A-2504 | 5/50S | H32 | A=5.2 L=28.0 |
| 222A-2505 | 5/50D | H32 | A=5.7 L=29.5 |



2. PCB connectors

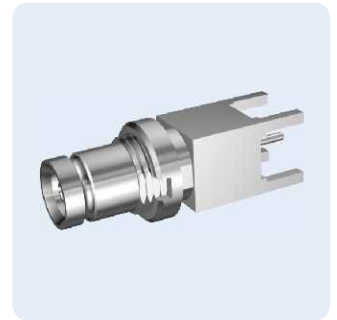
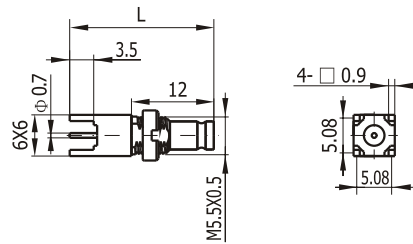
Straight PCB Jacks

| Product No. | Mounting Hole | Notes |
|-------------|---------------|-------|
| 222A-4801 | H64 | |



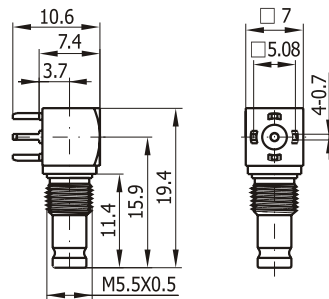
Straight Bulkhead PCB Jacks

| Product No. | Mounting Hole | Notes |
|-------------|---------------|--------|
| 222A-B801 | H32 H64 | L=19.5 |
| 222A-B802 | H32 H64 | L=21.0 |



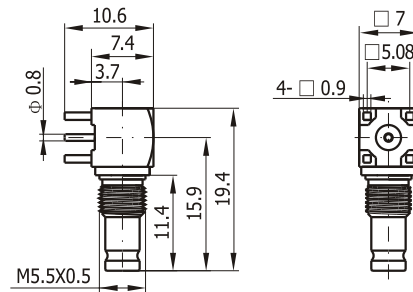
Right Angle PCB Jacks

| Product No. | Mounting Hole | Notes |
|-------------|---------------|-------|
| 224A-4801 | H61 | |



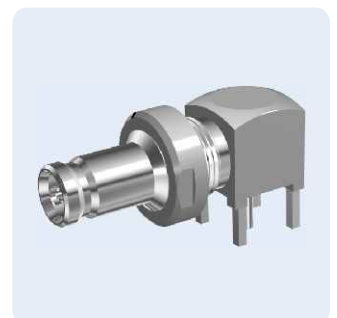
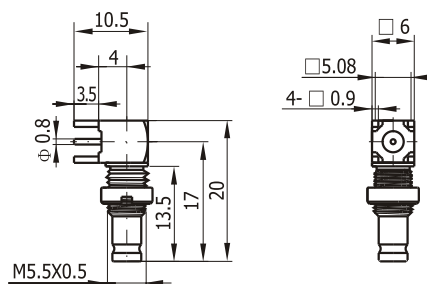
Right Angle PCB Jacks

| Product No. | Mounting Hole | Notes |
|-------------|---------------|-------|
| 224A-4802 | H64 | |



Right Angle Bulkhead PCB Jacks

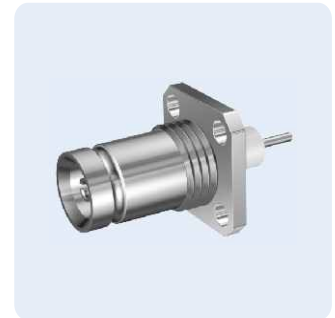
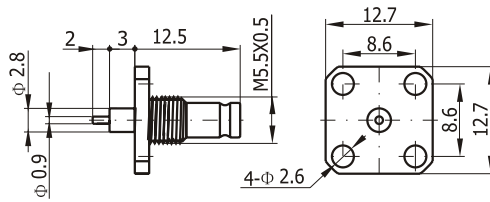
| Product No. | Mounting Hole | Notes |
|-------------|---------------|-------|
| 224A-B801 | H1 H64 | |



3. Flange Mount Connectors

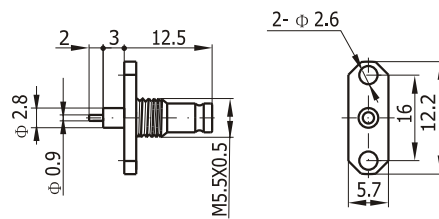
Straight Flange Jacks

| Product No. | Mounting Hole | Notes |
|-------------|---------------|-------|
| 222A-0001 | H69 | |



Straight Flange Jacks

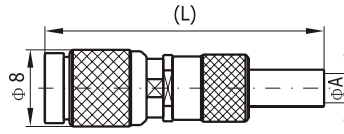
| Product No. | Mounting Hole | Notes |
|-------------|---------------|-------|
| 222A-0002 | H50 | |



1. Flexible Cable connectors

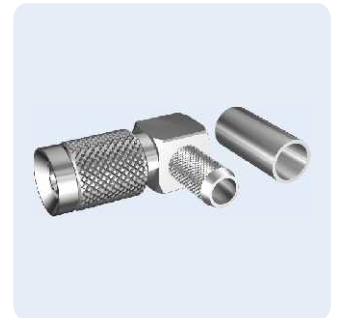
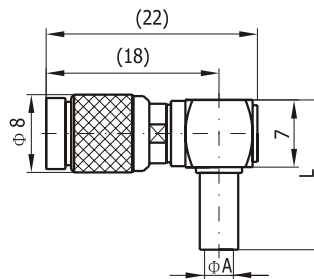
Straight Cable Plugs

| Product No. | Apply cable | Notes |
|-------------|-------------|--------------|
| 731A-7501 | 2/75S | A=2.5 L=29.0 |
| 731A-7502 | 2.5/3/75S | A=3.1 L=29.5 |
| 731A-7503 | 3.5/75D | A=4.5 L=31.5 |
| 731A-7504 | 4/75S | A=4.2 L=31.5 |
| 731A-7505 | 4/75D | A=4.3 L=31.5 |
| 731A-7506 | 5/75S | A=5.2 L=33.5 |



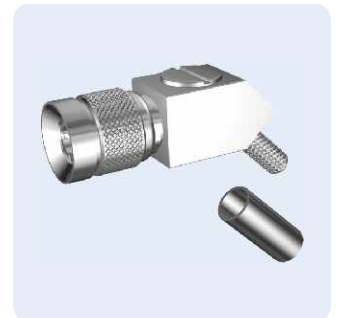
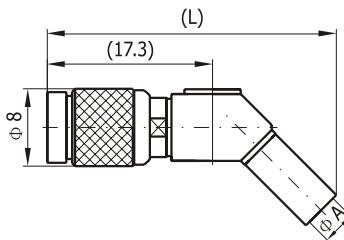
Right Angle Cable Plugs

| Product No. | Apply cable | Notes |
|-------------|-------------|--------------|
| 733A-7501 | 2/75S | A=2.5 L=15.0 |
| 733A-7502 | 2.5/3/75S | A=3.1 L=15.5 |
| 733A-7503 | 3.5/75D | A=4.5 L=17.5 |
| 733A-7504 | 4/75S | A=4.2 L=17.5 |
| 733A-7505 | 4/75D | A=4.3 L=17.5 |
| 733A-7506 | 5/75S | A=5.2 L=19.5 |



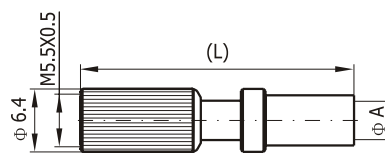
Right Angle Cable Plugs

| Product No. | Apply cable | Notes |
|-------------|-------------|--------------|
| 736A-7501 | 2/75S | A=2.5 L=28.7 |
| 736A-7502 | 2.5/3/75S | A=3.1 L=29.3 |
| 736A-7503 | 3.5/75D | A=4.5 L=31.3 |
| 736A-7504 | 4/75S | A=4.2 L=31.3 |
| 736A-7505 | 4/75D | A=4.3 L=31.3 |
| 736A-7506 | 5/75S | A=5.2 L=33.0 |



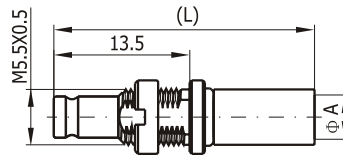
Straight Cable Plugs

| Product No. | Apply cable | Notes |
|-------------|-------------|--------------|
| 731A-7507 | 2.5/3/75S | A=3.1 L=27.0 |
| 731A-7508 | 3.5/75D | A=4.5 L=29.0 |
| 731A-7509 | 4/75S | A=4.2 L=29.0 |
| 731A-7510 | 4/75D | A=4.3 L=29.0 |
| 731A-7511 | 5/75S | A=5.2 L=31.0 |



Straight Bulkhead Cable Jacks

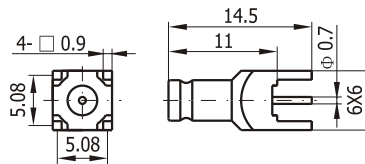
| Product No. | Apply cable | Mounting Hole | Notes |
|-------------|-------------|---------------|--------------|
| 732A-2501 | 2.5/3/75S | H32 | A=3.1 L=24.0 |
| 732A-2502 | 3.5/75D | H32 | A=4.5 L=26.0 |
| 732A-2503 | | H32 | A=4.2 L=26.0 |
| 732A-2504 | | H32 | A=4.3 L=26.0 |
| 732A-2505 | | H32 | A=5.2 L=28.0 |



2. PCB Connectors

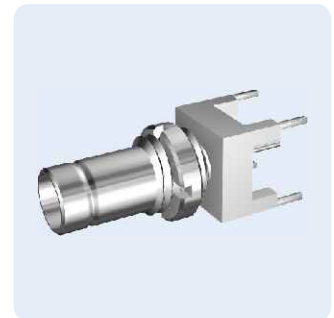
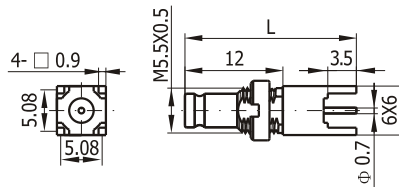
Straight PCB Jacks

| Product No. | Mounting Hole | Notes |
|-------------|---------------|-------|
| 732A-4801 | H64 | |



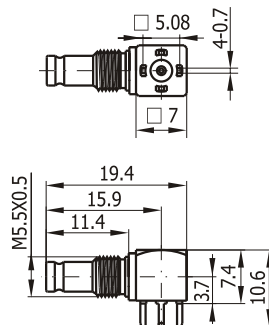
Straight Bulkhead PCB Jacks

| Product No. | Mounting Hole | Notes |
|-------------|---------------|--------|
| 732A-B801 | H32 H64 | L=19.5 |
| 732A-B802 | H32 H64 | L=21.0 |



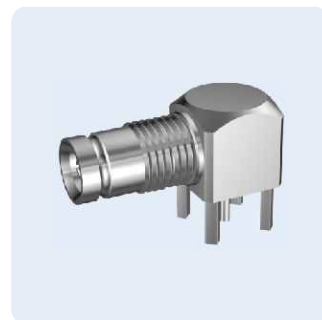
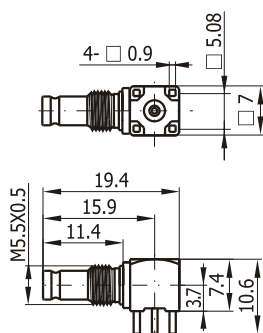
Right Angle PCB Jacks

| Product No. | Mounting Hole | Notes |
|-------------|---------------|-------|
| 734A-4801 | H61 | |



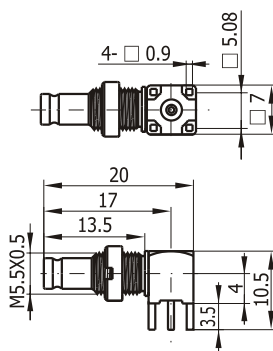
Right Angle PCB Jacks

| Product No. | Mounting Hole | Notes |
|-------------|---------------|-------|
| 734A-4802 | H64 | |



Right Angle Bulkhead PCB Jacks

| Product No. | Mounting Hole | Notes |
|-------------|---------------|-------|
| 734A-B801 | H1 H64 | |



Series L9(1.6/5.6 75Ω) are thread coupling miniature coaxial connectors. Which have the excellent performances of small size, high mechanical and electrical stability, and can be used in many types of communication equipment.

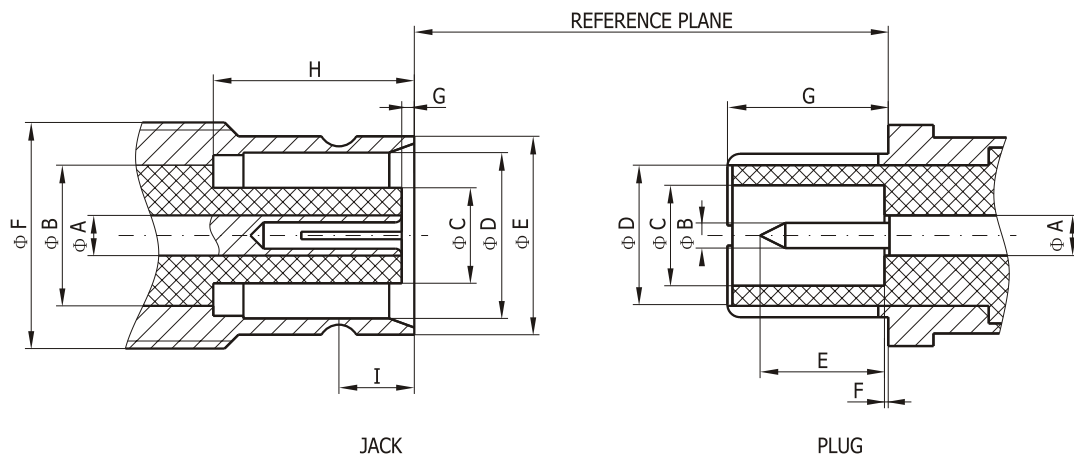
The interface dimensions and technical characteristics are in accord with the specifications of IEC169-13.CECC22240 and DIN 47295.



| | | | KEY PERFORMANCE | |
|--------------------------|------------------|---------------------------------|-----------------|------------|
| Temperature range | -65~+155℃ | Insulation resistance | ≥10000MΩ | |
| Characteristic impedance | 75Ω | Dielectric Withstanding voltage | 750V(rms) | |
| Frequency range | 0~4GHz | Voltage rating | 330V(rms) | |
| Contact resistance | Center conductor | ≤10mΩ | Durability | 500 Cycles |
| | Outer conductor | ≤5mΩ | VSWR | ≤1.23 |

| | | MATERIAL AND PLATING |
|------------------------|-------------------------------------|----------------------|
| Body | Brass, gold or nickel plated | |
| Male center contacts | Brass, gold plated | |
| Female center contacts | Beryllium copper, gold plated | |
| Insulators | PTFE | |
| Crimp ferrules | Copper alloy, nickel or gold plated | |

Interface Dimensions in mm

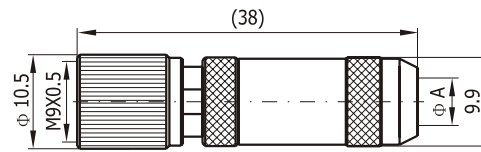


| Letter | Jack(female) | | Plug(male) | |
|--------|--------------|---------|------------|---------|
| | Minimum | Maximum | Minimum | Maximum |
| A | — | 1.60 | — | 1.60 |
| B | — | 2.60 | 0.97 | 1.03 |
| C | — | 3.80 | 4.00 | — |
| D | 6.60 | 6.69 | — | 5.60 |
| E | 8.10 | 8.25 | — | 5.50 |
| F | — | M9X0.5 | — | 0.15 |
| G | 0.25 | — | 6.40 | 6.60 |
| H | 6.70 | — | — | — |
| I | 2.90 | 3.10 | — | — |

1. Flexible Cable connectors

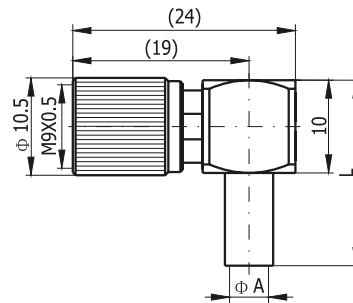
Straight Cable Plugs

| Product No. | Apply cable | Notes |
|-------------|-------------|-------|
| 231A-7501 | 2.5/3/75S | A=3.3 |
| 231A-7502 | 3.5/75D | A=3.7 |
| 231A-7503 | 4/75S | A=4.3 |
| 231A-7504 | 4/75D | A=4.3 |
| 231A-7505 | 5/75S | A=5.3 |



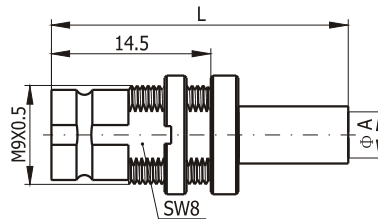
Right Angle Cable Plugs

| Product No. | Apply cable | Notes |
|-------------|-------------|--------------|
| 233A-7501 | 2.5/3/75S | A=3.1 L=18.0 |
| 233A-7502 | 3.5/75D | A=4.5 L=20.0 |
| 233A-7503 | 4/75S | A=4.2 L=20.0 |
| 233A-7504 | 4/75D | A=4.3 L=20.0 |
| 233A-7505 | 5/75S | A=5.2 L=22.0 |



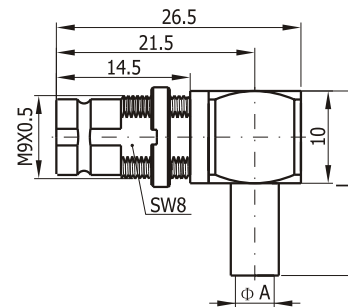
Straight Bulkhead Cable Jacks

| Product No. | Apply cable | Mounting Hole | Notes |
|-------------|-------------|---------------|--------------|
| 232A-7501 | 2.5/3/75S | H16 | A=3.1 L=25.0 |
| 232A-7502 | 3.5/75D | H16 | A=4.5 L=27.0 |
| 232A-7503 | 4/75S | H16 | A=4.2 L=27.0 |
| 232A-7504 | 4/75D | H16 | A=4.3 L=27.0 |
| 232A-7505 | 5/75S | H16 | A=5.2 L=29.0 |



Right Angle Cable Jacks

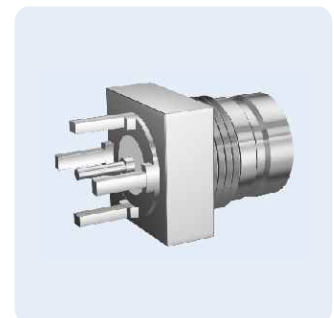
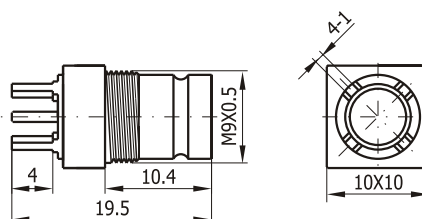
| Product No. | Apply cable | Mounting Hole | Notes |
|-------------|-------------|---------------|--------------|
| 234A-7501 | 2.5/3/75S | H16 | A=3.1 L=18.0 |
| 234A-7502 | 3.5/75D | H16 | A=4.5 L=20.0 |
| 234A-7503 | 4/75S | H16 | A=4.2 L=20.0 |
| 234A-7504 | 4/75D | H16 | A=4.3 L=20.0 |
| 234A-7505 | 5/75S | H16 | A=5.2 L=22.0 |



2. PCB Connectors

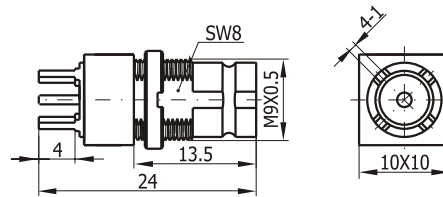
Straight PCB Jacks

| Product No. | Mounting Hole | Notes |
|-------------|---------------|-------|
| 232A-4801 | H64 | |



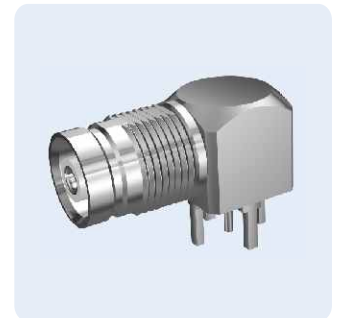
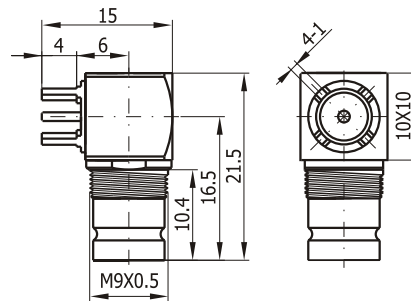
Straight Bulkhead PCB Jacks

| Product No. | Mounting Hole | Notes |
|-------------|---------------|-------|
| 232B-B801 | H16 H64 | |



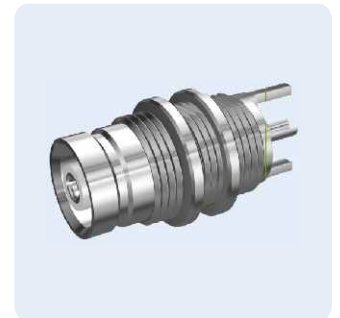
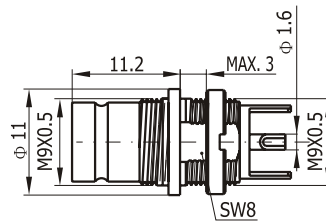
Right Angle PCB Jacks

| Product No. | Mounting Hole | Notes |
|-------------|---------------|-------|
| 234B-4801 | H64 | |



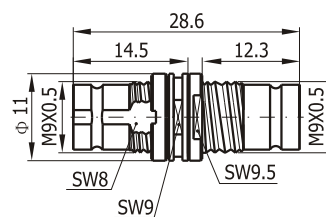
3. Bulkhead Mount Connectors Straight PCB Jacks

| Product No. | Mounting Hole | Notes |
|-------------|---------------|-------|
| 232B-2801 | H16 | |



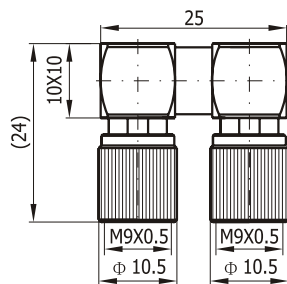
4. Adapters Straight L9/L9-75 Jack to Jack

| Product No. | Mounting Hole | Notes |
|-------------|---------------|-------|
| 230B-2931 | H16 | |

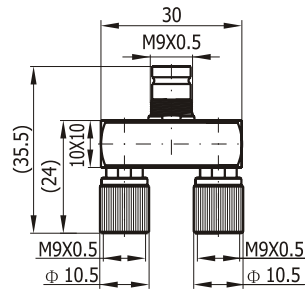


Straight L9/L9-75 Plug to Plug

| Product No. | Notes |
|-------------|-------|
| 230B-7911 | |



Straight L9/L9-75 Plug to Jack to Plug



| Product No. | Notes |
|-------------|-------|
| 230B-7961 | |

Series FME are thread coupling coaxial connectors, which have the excellent performances of small size, easy connect/disconnect, are especially suite for mobile application in vehicles, and the frequency range from 0 to 3GHz.

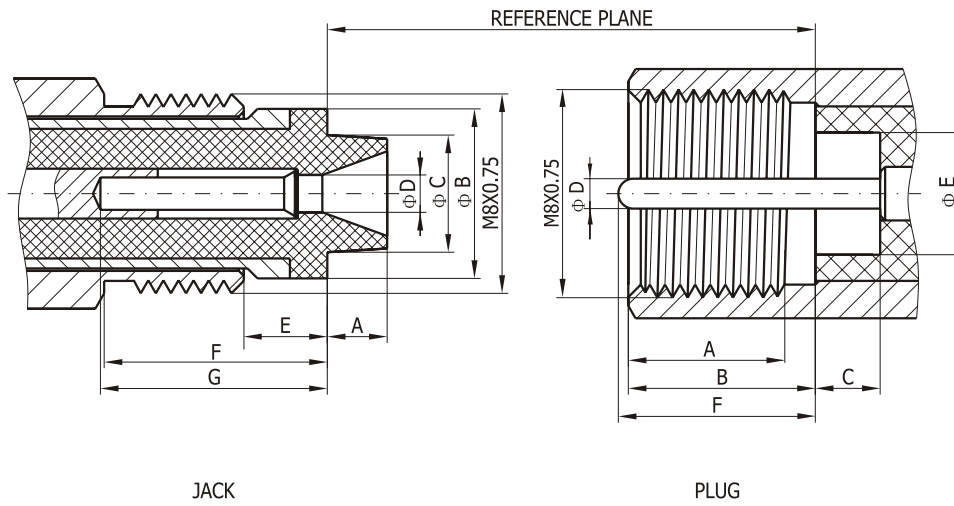
Straight connectors are available for cable diameters from approximately 2.6mm to 5.5mm and also straight and right angle adapters other coaxial connector series.



| | | KEY PERFORMANCE | |
|--------------------------|-----------|---------------------------------|-------------------------|
| Temperature range | -65~+155℃ | Insulation resistance | ≥ 5000MΩ |
| Characteristic impedandc | 50 Ω | Dielectric Withstanding voltage | 1000V(rms) |
| Frequency range | 0~3GHz | Contact resistance | Center conductor ≤ 10mΩ |
| Working voltage | 500V(rms) | | Outer conductor ≤ 5mΩ |
| VSWR | ≤1.22 | Durability | 500 Cycles |

| | | MATERIAL AND PLATING |
|------------------------|--|------------------------------|
| Body | | Brass,nickel plated |
| Male center contacts | | Brass,gold plated |
| Female center contacts | | Beryllium copper,gold plated |
| Insulators | | PTFE |
| Crimp ferrules | | Copper alloy,nickel plated |

Interface Dimensions in mm

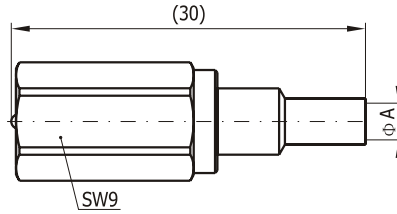


| Letter | Jack(female) | | Plug(male) | |
|--------|--------------|---------|------------|---------|
| | Minimum | Maximum | Minimum | Maximum |
| A | — | 2.50 | 5.60 | — |
| B | — | 7.00 | 7.50 | 7.70 |
| C | — | 4.80 | 2.50 | — |
| D | 1.30 | — | 1.17 | 1.23 |
| E | 2.20 | — | 4.80 | — |
| F | 8.00 | — | — | 8.00 |
| G | 8.00 | — | — | — |

1. Flexible Cable connectors

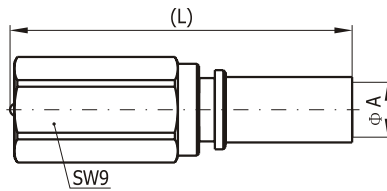
Straight Cable Plugs

| Product No. | Apply cable | Notes |
|-------------|-------------|-------|
| 241B-7501 | 2/50S | A=2.5 |
| 241B-7502 | 2.5/3/50S | A=3.1 |
| 241B-7503 | 2.5/50D | A=3.4 |



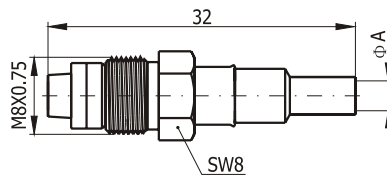
Straight Cable Plugs

| Product No. | Apply cable | Notes |
|-------------|-------------|--------------|
| 241B-7504 | 5/50S | A=5.2 L=32.5 |
| 241B-7505 | 5/50D | A=5.7 L=34.0 |



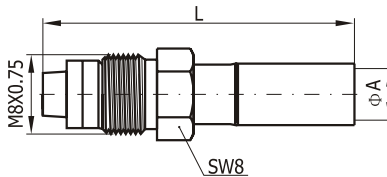
Straight Cable Jacks

| Product No. | Apply cable | Notes |
|-------------|-------------|-------|
| 242B-7501 | 2/50S | A=2.5 |
| 242B-7502 | 2.5/3/50S | A=3.1 |
| 242B-7503 | 2.5/50D | A=3.4 |



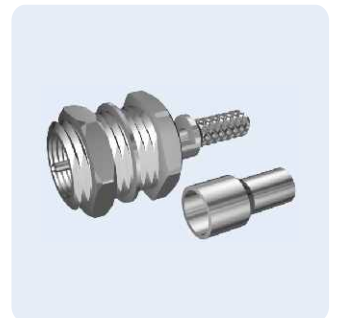
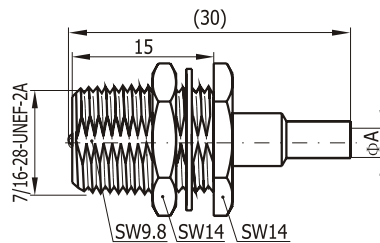
Straight Cable Jacks

| Product No. | Apply cable | Notes |
|-------------|-------------|--------------|
| 242B-7504 | 5/50S | A=5.2 L=31.5 |
| 242B-7505 | 5/50D | A=5.7 L=33.0 |



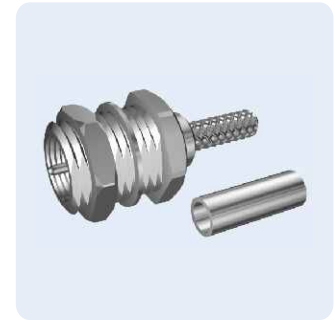
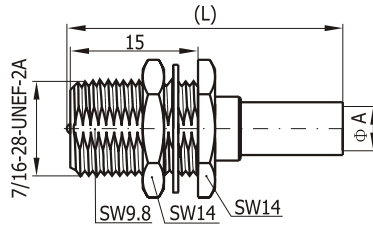
Straight Cable Plugs

| Product No. | Apply cable | Mounting Hole | Notes |
|-------------|-------------|---------------|-------|
| 241B-2501 | 2/50S | H22 | A=2.5 |
| 241B-2502 | 2.5/3/50S | H22 | A=3.1 |
| 241B-2503 | 2.5/50D | H22 | A=3.4 |



Straight Bulkhead Cable Plugs

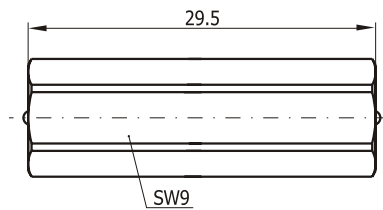
| Product No. | Apply cable | Mounting Hole | Notes |
|-------------|-------------|---------------|--------------|
| 241B-2504 | 5/50S | H22 | A=5.2 L=32.5 |
| 241B-2505 | 5/50D | H22 | A=5.7 L=34.0 |



2. Adapters

Straight FNE/FME Plug to Plug

| Product No. | Notes |
|-------------|-------|
| 240B-7911 | |



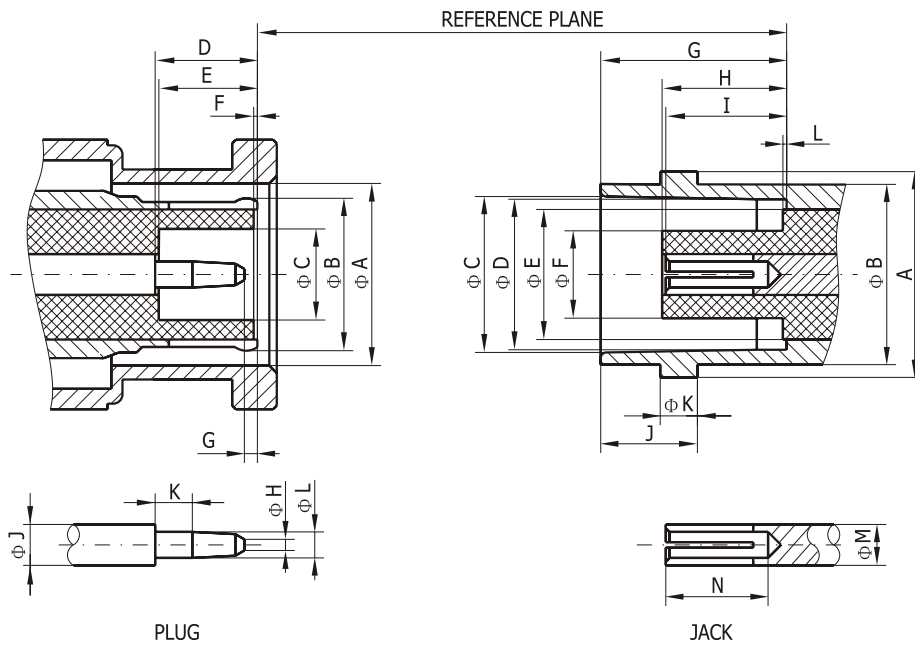
Series BNC are bayonet -coupling popular coaxial connectors. Which have the excellent performances of rapid connect/disconnect, high reliability, are used to connect RF coaxial cables in electrical and electronic equipment and instruments.

The interface dimensions and technical characteristics are in accord with the specifications of MIL-C-39012,IEC-169-8,CECC22120 and BS 9210 N 004.



| | | | KEY PERFORMANCE | |
|--------------------------|------------------------------|--------|---------------------------------|------------|
| Temperature range | -65 ~ +165℃ | | Insulation resistance | ≥5000MΩ |
| Characteristic impedance | 50Ω/75Ω | | Dielectric Withstanding Voltage | 1500V(rms) |
| Frequency range | 0 ~ 4GHz(50Ω) 0~2GHz(75Ω) | | VSWR | ≤1.30 |
| Voltage rating | 500V(rms) | | Disengage force | ≥0.6N |
| Contact resistance | Center conductor | ≤1.5mΩ | Durability | 500 Cycles |
| | Outer conductor | ≤1mΩ | | |

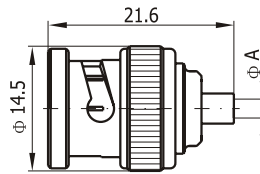
| | | MATERIAL AND PLATING |
|------------------------|--|--|
| Body | | Brass,nickel plated |
| Male center contacts | | Brass,gold plated |
| Female center contacts | | Beryllium copper or phosphor bronze ,gold plated |
| Insulators | | PTFE |
| Crimp ferrules | | Copper alloy, nickel plated |



| Letter | Plug(male) | | Jack(female) | |
|--------|------------|---------|--------------|----------|
| | Minimum | Maximum | Minimum | Maximum |
| A | 9.78 | 9.91 | 10.97 | 11.07 |
| B | — | — | 9.60 | 9.70 |
| C | 4.83 | — | 8.31 | 8.46 |
| D | 5.33 | 5.84 | 8.10 | 8.15 |
| E | 5.28 | 5.79 | — | 7.00.nom |
| F | 0.15 | 0.46 | — | 4.72 |
| G | 0.08 | 1.02 | 8.31 | 8.51 |
| H | — | 0.64 | 4.78 | 5.28 |
| I | — | — | 4.72 | 5.23 |
| J | 2.06 | 2.21 | 5.18 | 5.28 |
| K | 1.98 | — | 1.91 | 2.06 |
| L | 1.32 | 1.37 | — | 0.15 |
| M | — | — | 2.06 | 2.21 |
| N | — | — | 4.95 | — |

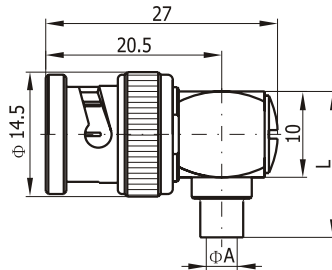
1 . Semi-rigid Cable connectors Straight Cable Plugs

| Product No. | Apply cable | Notes |
|-------------|-------------|-------|
| 251B-7661 | .086 | A=2.2 |
| 251B-7662 | .141 | A=3.6 |



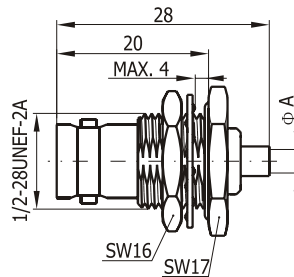
Right Angle Cable Plugs

| Product No. | Apply cable | Notes |
|-------------|-------------|--------------|
| 253B-7661 | .086 | A=2.2 L=16.5 |
| 253B-7662 | .141 | A=3.6 L=17.0 |



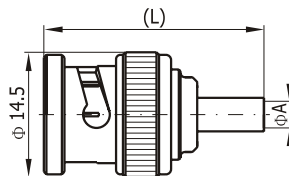
Stright Bulkhead Cable Jacks

| Product No. | Apply cable | Mounting Hole | Notes |
|-------------|-------------|---------------|-------|
| 252B-2661 | .086 | H38 | A=2.2 |
| 252B-2662 | .141 | H38 | A=3.6 |



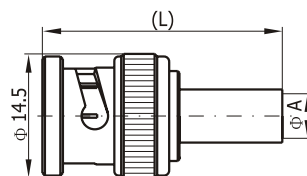
2. Flexible Cable Connectors Straight Cable Plugs

| Product No. | Apply cable | Notes |
|-------------|-------------|--------------|
| 251B-7501 | 2.5/3/50S | A=3.1 L=25.6 |
| 251B-7502 | 2.5/50D | A=3.4 L=26.6 |
| 251B-7503 | 4/50S | A=4.2 L=27.6 |



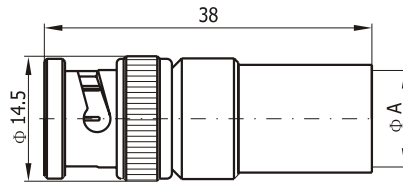
Straight Cable Plugs

| Product No. | Apply cable | Notes |
|-------------|-------------|--------------|
| 251B-7504 | 5/50S | A=5.2 L=28.0 |
| 251B-7505 | 5/50D | A=5.7 L=29.5 |



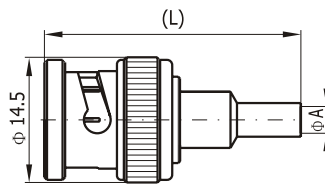
Straight Cable Plugs

| Product No. | Apply cable | Notes |
|-------------|-------------|--------|
| 251B-7506 | 7/50S | A=10.7 |
| 251B-7507 | 7/50D | A=11.2 |



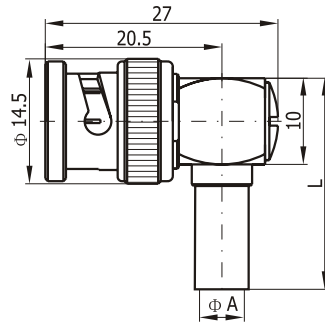
Straight Cable Plugs

| Product No. | Apply cable | Notes |
|-------------|-------------|--------------|
| 251B-7508 | 2/3/50S | A=2.5 L=29.2 |
| 251B-7509 | 2.5/3/50S | A=3.1 L=29.7 |
| 251B-7510 | 2.5/50S | A=3.4 L=29.7 |
| 251B-7511 | 4/50D | A=4.2 L=30.7 |



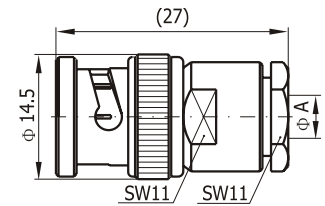
Right Angle Cable Plugs

| Product No. | Apply cable | Notes |
|-------------|-------------|--------------|
| 253B-7501 | 2.5/3/50S | A=3.1 L=20.5 |
| 253B-7502 | 2.5/50D | A=3.4 L=21.5 |
| 253B-7503 | 4/50S | A=4.2 L=22.5 |
| 253B-7504 | 5/50S | A=5.2 L=24.5 |
| 253B-7505 | 5/50D | A=5.7 L=26.0 |



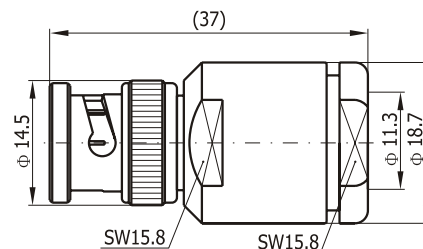
Straight Cable Plugs

| Product No. | Apply cable | Notes |
|-------------|-------------|-------|
| 251B-7531 | 2.5/3/50S+D | A=3.2 |
| 251B-7532 | 4/50S+D | A=4.2 |
| 251B-7533 | 5/50S+D | A=5.6 |



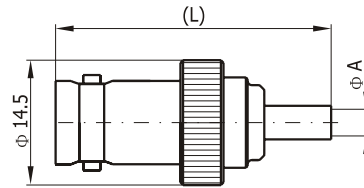
Straight Cable Plugs

| Product No. | Apply cable | Notes |
|-------------|-------------|-------|
| 251B-7534 | 7/50S+D | A=3.2 |



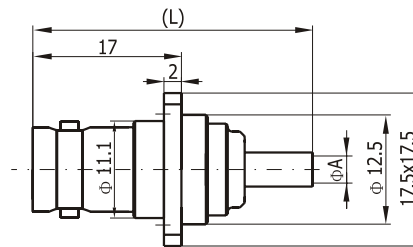
Straight Cable Jacks

| Product No. | Apply cable | Notes |
|-------------|-------------|--------------|
| 252B-7501 | 2.5/3/50S | A=3.1 L=32.0 |
| 252B-7502 | 2.5/50D | A=3.4 L=33.0 |
| 252B-7503 | 4/50S | A=4.2 L=34.0 |
| 252B-7504 | 5/50S | A=5.2 L=36.0 |
| 252B-7505 | 5/50D | A=5.7 L=37.5 |



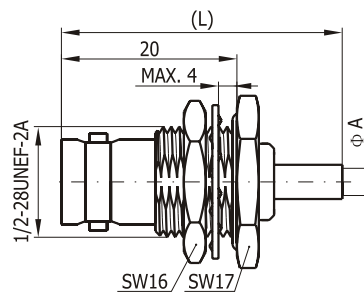
Straight Flange Cable Jacks

| Product No. | Apply cable | Mounting Hole | Notes |
|-------------|-------------|---------------|--------------|
| 252B-1501 | 2.5/3/50S | H81 | A=3.1 L=32.0 |
| 252B-1502 | 2.5/50D | H81 | A=3.4 L=33.0 |
| 252B-1503 | 4/50S | H81 | A=4.2 L=34.0 |
| 252B-1504 | 5/50S | H81 | A=5.2 L=36.0 |
| 252B-1505 | 5/50D | H81 | A=5.7 L=37.5 |



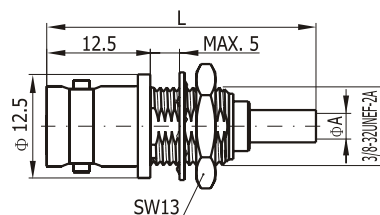
Straight Bulkhead Cable Jacks

| Product No. | Apply cable | Mounting Hole | Notes |
|-------------|-------------|---------------|--------------|
| 252B-2501 | 2.5/3/50S | H38 | A=3.1 L=32.0 |
| 252B-2502 | 2.5/50D | H38 | A=3.4 L=33.0 |
| 252B-2503 | 4/50S | H38 | A=4.2 L=34.0 |
| 252B-2504 | 5/50S | H38 | A=5.2 L=36.0 |
| 252B-2505 | 5/50D | H38 | A=5.7 L=37.5 |



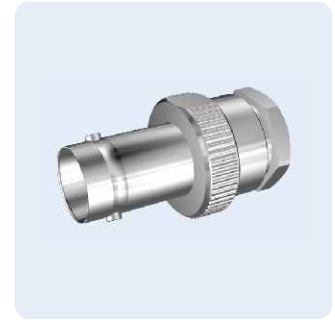
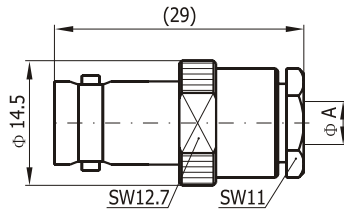
Straight Bulkhead Cable Jacks

| Product No. | Apply cable | Mounting Hole | Notes |
|-------------|-------------|---------------|--------------|
| 252B-2506 | 2.5/3/50S | H35 | A=3.1 L=32.5 |
| 252B-2507 | 2.5/50D | H35 | A=3.4 L=33.5 |



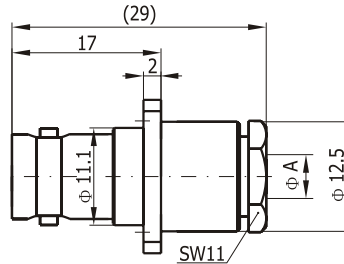
Straight Cable Jacks

| Product No. | Apply cable | Notes |
|-------------|-------------|-------|
| 252B-7531 | 2.5/3/50S+D | A=3.2 |
| 252B-7532 | 4/50S+D | A=4.2 |
| 252B-7533 | 5/50S+D | A=5.6 |



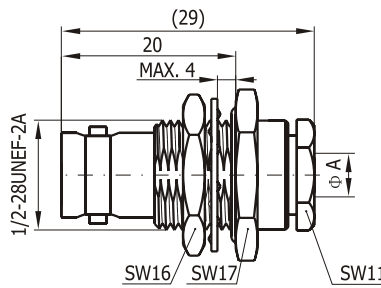
Straight Cable Jacks

| Product No. | Apply cable | Mounting Hole | Notes |
|-------------|-------------|---------------|-------|
| 252B-1531 | 2.5/3/50S+D | H81 | A=3.2 |
| 252B-1532 | 4/50S+D | H81 | A=4.2 |
| 252B-1533 | 5/50S+D | H81 | A=5.6 |



Straight Cable Jacks

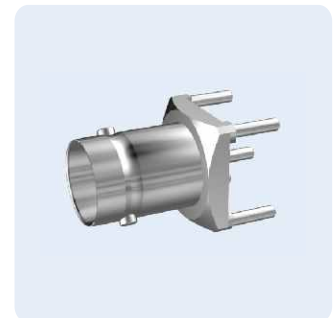
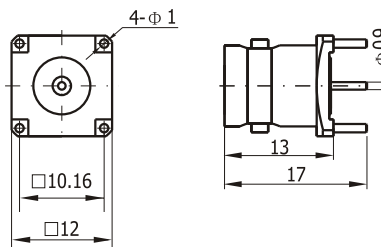
| Product No. | Apply cable | Mounting Hole | Notes |
|-------------|-------------|---------------|-------|
| 252B-2531 | 2.5/3/50S+D | H38 | A=3.2 |
| 252B-2532 | 4/50S+D | H38 | A=4.2 |
| 252B-2533 | 5/50S+D | H38 | A=5.6 |



3. PCB Connectors

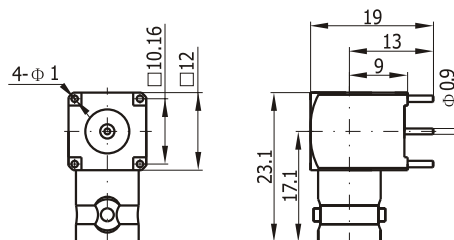
Straight PCB Jacks

| Product No. | Mounting Hole | Notes |
|-------------|---------------|-------|
| 252F-4801 | H80 | |



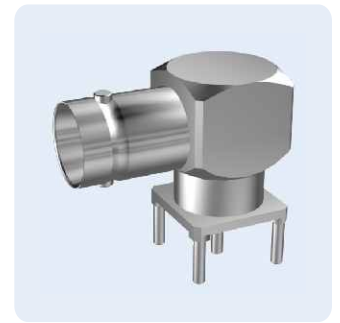
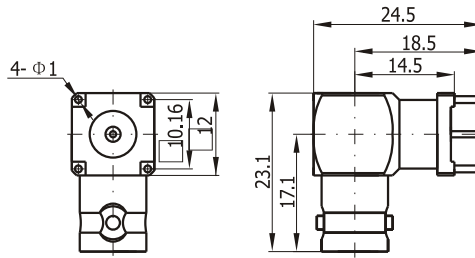
Right Angle PCB Jacks

| Product No. | Mounting Hole | Notes |
|-------------|---------------|-------|
| 254F-4801 | H80 | |



Right Angle PCB Jacks

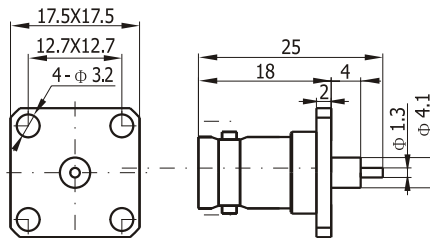
| Product No. | Mounting Hole | Notes |
|-------------|---------------|-------|
| 254F-4802 | H80 | |



4. Flange Mount Connectors

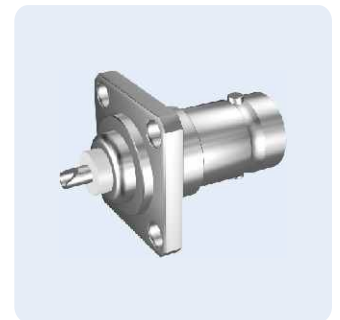
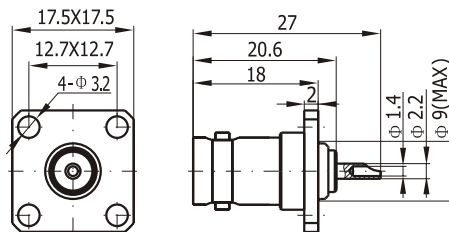
Straight Flange Jacks

| Product No. | Mounting Hole | Notes |
|-------------|---------------|-------|
| 252B-0001 | H78 | |



Straight Flange Jacks

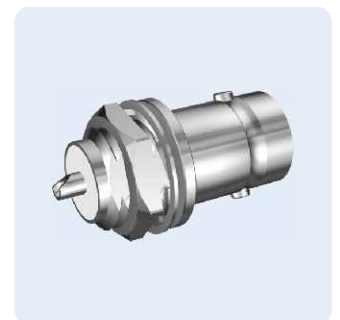
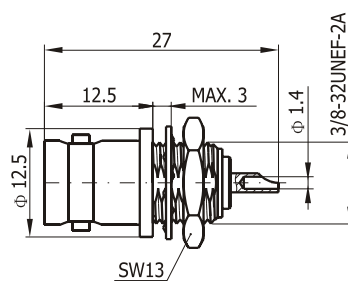
| Product No. | Mounting Hole | Notes |
|-------------|---------------|-------|
| 252B-0002 | H81 | |



5 . Bulkhead Mount Connectors

Straight Bulkhead Jacks

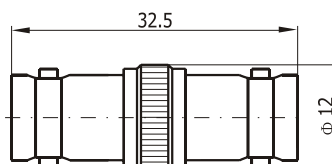
| Product No. | Mounting Hole | Notes |
|-------------|---------------|-------|
| 252B-2801 | H35 | |



6. Adapters

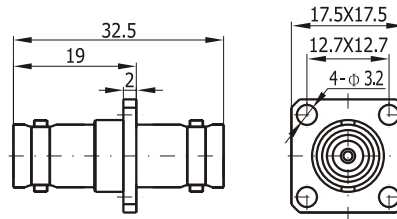
Straight BNC/BNCfemale to female

| Product No. | Notes |
|-------------|-------|
| 250B-7931 | |



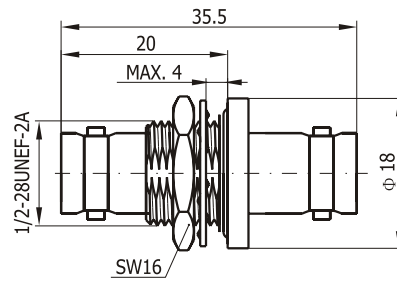
Straight Flange BNC/BNC female to female

| Product No. | Mounting Hole | Notes |
|-------------|---------------|-------|
| 250B-1931 | H81 | |

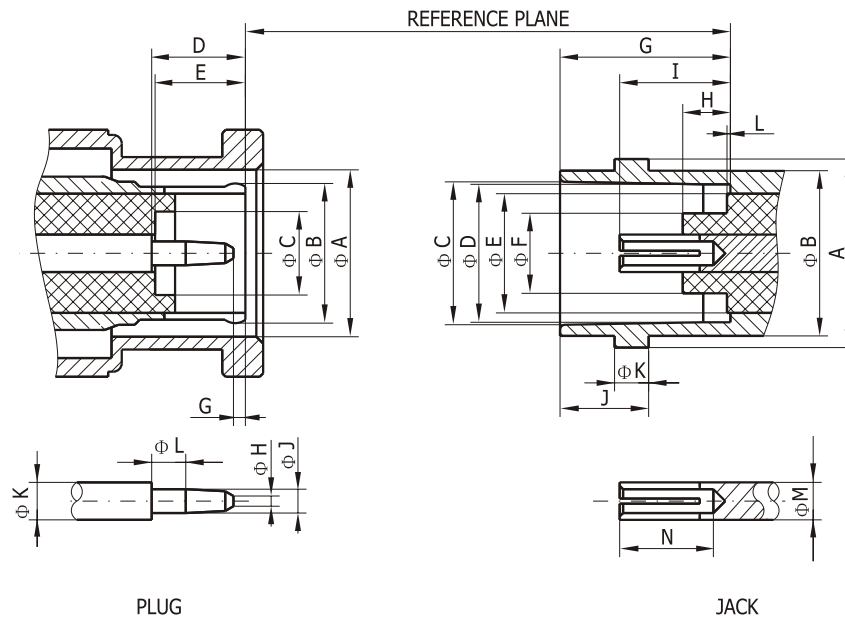


Straight Bulkhead BNC/BNC female to female

| Product No. | Mounting Hole | Notes |
|-------------|---------------|-------|
| 250B-2931 | H38 | |



Interface Dimensions in mm

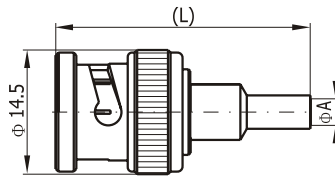


| Letter | Plug(male) | | Jack(female) | |
|--------|------------|---------|--------------|----------|
| | Minimum | Maximum | Minimum | Maximum |
| A | 9.78 | 9.91 | 10.97 | 11.07 |
| B | — | — | 9.60 | 9.70 |
| C | 4.83 | — | 8.31 | 8.46 |
| D | 5.33 | 5.84 | 8.10 | 8.15 |
| E | 5.28 | 5.79 | — | 7.00.nom |
| F | — | — | — | 4.72 |
| G | 0.08 | 1.02 | 8.31 | 8.51 |
| H | — | 0.64 | — | 5.28 |
| I | — | — | 4.72 | 5.23 |
| J | 1.32 | 1.37 | 5.18 | 5.28 |
| K | 2.06 | 2.21 | 1.91 | 2.06 |
| L | 1.98 | — | — | 0.15 |
| M | — | — | 2.06 | 2.21 |
| N | — | — | 4.95 | — |

1. Flexible Cable Connectors

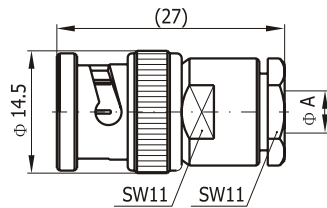
Straight Cable Plugs

| Product No. | Apply cable | Notes |
|-------------|-------------|--------------|
| 741B-7501 | 2/75S | A=2.5 L=29.2 |
| 741B-7502 | 2.5/3/75S | A=3.1 L=29.7 |
| 741B-7503 | 3.5/75D | A=4.5 L=30.7 |
| 741B-7504 | 4/75S | A=4.2 L=30.7 |
| 741B-7505 | 4/75D | A=4.3 L=30.7 |
| 741B-7506 | 5/75S | A=5.2 L=32.7 |



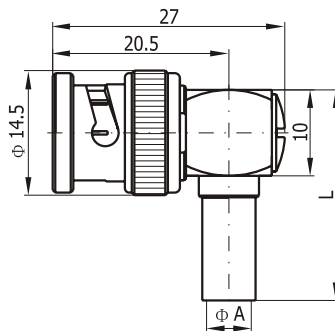
Straight Cable Plugs

| Product No. | Apply cable | Notes |
|-------------|-------------|-------|
| 741B-7531 | 2.5/3/75S | A=3.2 |
| 741B-7532 | 4/75S | A=4.2 |
| 741B-7533 | 5/75S | A=5.6 |



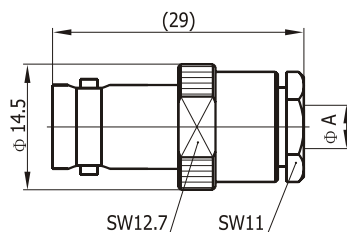
Right Angle Cable Plugs

| Product No. | Apply cable | Notes |
|-------------|-------------|--------------|
| 743B-7501 | 2.5/3/75S | A=3.1 L=20.5 |
| 743B-7502 | 3.5/75D | A=4.5 L=22.5 |
| 743B-7503 | 4/75S | A=4.2 L=22.5 |
| 743B-7504 | 4/75D | A=4.3 L=22.5 |
| 743B-7505 | 5/75S | A=5.2 L=24.5 |



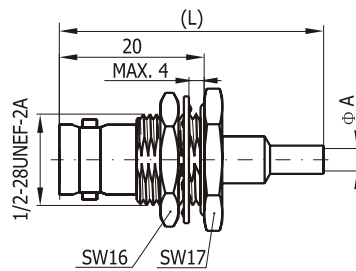
Straight Cable Jacks

| Product No. | Apply cable | Notes |
|-------------|-------------|-------|
| 742B-7531 | 2.5/3/75S | A=3.2 |
| 742B-7532 | 4/75S | A=4.2 |
| 742B-7533 | 5/75S | A=5.6 |



Straight Cable Jacks

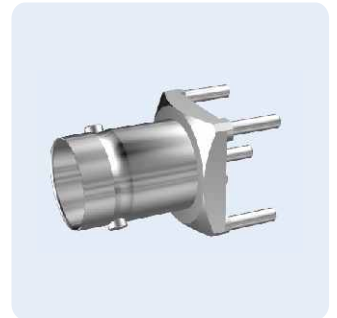
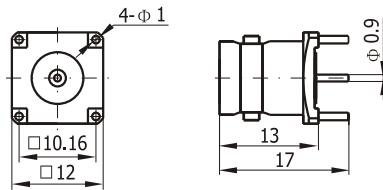
| Product No. | Apply cable | Mounting Hole | Notes |
|-------------|-------------|---------------|--------------|
| 742B-2501 | 2/75S | H38 | A=2.5 L=36.0 |
| 742B-2502 | 2.5/3/75S | H38 | A=3.1 L=36.5 |
| 742B-2503 | 3.5/75D | H38 | A=4.5 L=37.5 |
| 742B-2504 | 4/75S | H38 | A=4.2 L=37.5 |
| 742B-2505 | 4/75D | H38 | A=4.3 L=37.5 |
| 742B-2506 | 5/75S | H38 | A=5.2 L=39.5 |



2. PCB Connectors

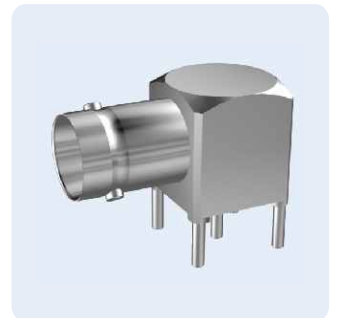
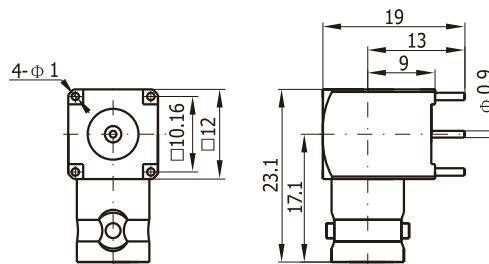
Straight PCB Jacks

| Product No. | Mounting Hole | Notes |
|-------------|---------------|-------|
| 742F-4801 | H80 | |



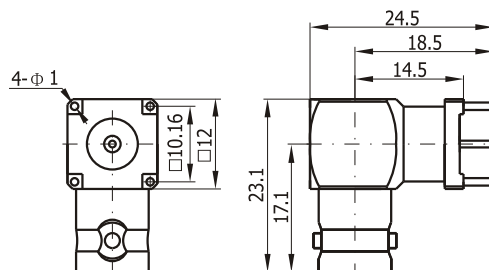
Right Angle PCB Jacks

| Product No. | Mounting Hole | Notes |
|-------------|---------------|-------|
| 744F-4801 | H80 | |



Right Angle PCB Jacks

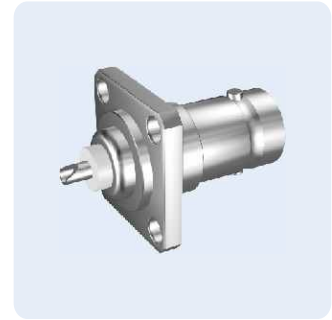
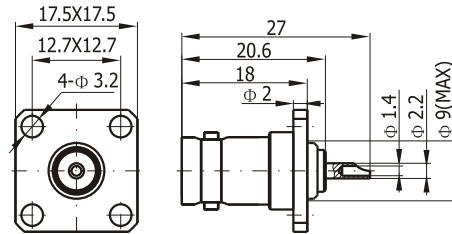
| Product No. | Mounting Hole | Notes |
|-------------|---------------|-------|
| 744F-4802 | H80 | |



4. Flange Mount Connectors

Straight Flange Jacks

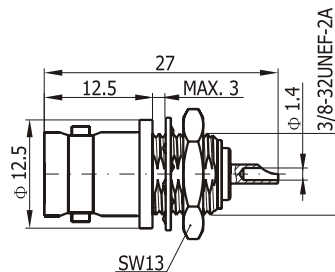
| Product No. | Mounting Hole | Notes |
|-------------|---------------|-------|
| 742B-0001 | H81 | |



5. Bulkhead Mount Connectors

Straight Bulkhead Jacks

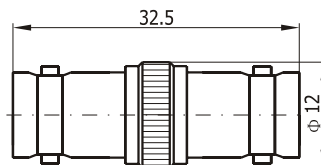
| Product No. | Mounting Hole | Notes |
|-------------|---------------|-------|
| 742B-2801 | H35 | |



6. Adapters

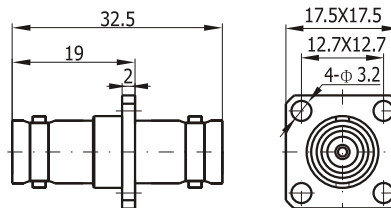
Straight BNC/BNC Jack to Jack

| Product No. | Notes |
|-------------|-------|
| 740B-7931 | |



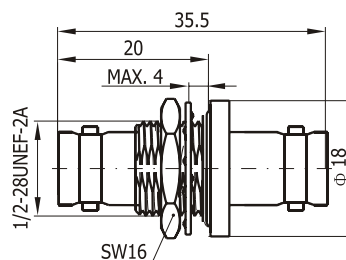
Straight Flange BNC/BNC Jack to Jack

| Product No. | Mounting Hole | Notes |
|-------------|---------------|-------|
| 740B-1931 | H81 | |



Straight Bulkhead BNC/BNC Jack to Jack

| Product No. | Mounting Hole | Notes |
|-------------|---------------|-------|
| 740B-2931 | H38 | |



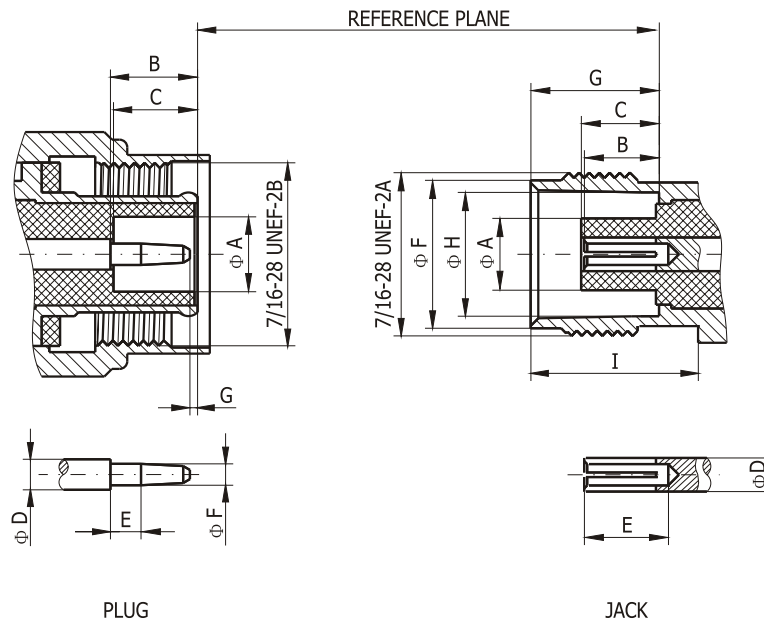
Series TNC are very popular thread coupling middle-power coaxial connectors. Which are an ideal choice for use in cellular and mobile communication, airplane, aerospace and radar applications where vibration resistance and environmental protection must be required. The interface dimensions and technical characteristics are in accord with the specifications of MIL-C-39012, IEC169-17 and CECC 22200.



| | | KEY PERFORMANCE | | |
|--------------------------|------------------|---------------------------------|------------|------------|
| Temperature range | -65~+165℃ | Insulation resistance | ≥5000MΩ | |
| Characteristic impedance | 50Ω | Dielectric Withstanding voltage | 1500V(rms) | |
| Frequency range | 0~11GHz | Voltage rating | 500V(rms) | |
| Contact resistance | Center conductor | ≤1.5mΩ | Durability | 500 Cycles |
| | Outer conductor | ≤0.2mΩ | VSWR | ≤1.30 |

| | | MATERIAL AND PLATING |
|------------------------|--|------------------------------|
| Body | | Brass,nickel plated |
| Male center contacts | | Brass,gold plated |
| Female center contacts | | Beryllium copper,gold plated |
| Insulators | | PTFE |
| Crimp ferrules | | Copper alloy, nickel plated |
| Gaskets | | Silicone rubber |

Interface Dimensions in mm

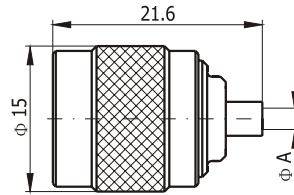


| Letter | Plug(male) | | Jack(female) | |
|--------|------------|---------|--------------|---------|
| | Minimum | Maximum | Minimum | Maximum |
| A | 4.83 | 4.97 | — | 4.72 |
| B | 5.33 | 5.84 | 4.72 | 5.23 |
| C | 5.28 | 5.79 | 4.78 | 5.28 |
| D | 2.06 | 2.21 | 2.06 | 2.21 |
| E | 1.98 | — | 4.95 | — |
| F | 1.32 | 1.37 | 9.60 | 9.70 |
| G | 0.08 | — | 8.31 | 8.51 |
| H | — | — | 8.10 | 8.15 |
| I | — | — | 10.52 | — |

1. Semi-rigid Cable connectors

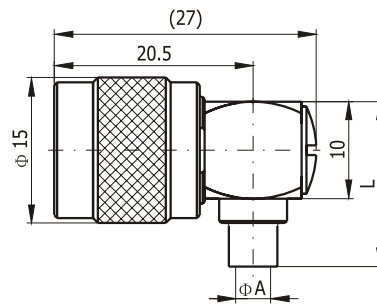
Straight Cable Plugs

| Product No. | Apply cable | Notes |
|-------------|-------------|-------|
| 261B-7661 | .086 | A=2.2 |
| 261B-7662 | .141 | A=3.6 |



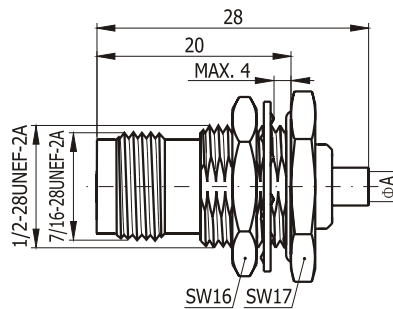
Right Angle Cable Plugs

| Product No. | Apply cable | Notes |
|-------------|-------------|--------------|
| 263B-7661 | .086 | A=2.2 L=16.5 |
| 263B-7662 | .141 | A=3.6 L=17.0 |



Straight Bulkhead Cable Jacks

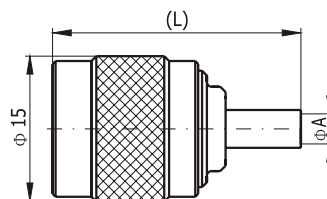
| Product No. | Apply cable | Mounting Hole | Notes |
|-------------|-------------|---------------|-------|
| 262B-2661 | .086 | H38 | A=2.2 |
| 262B-2662 | .141 | H38 | A=3.6 |



2. Flexible Cable connectors

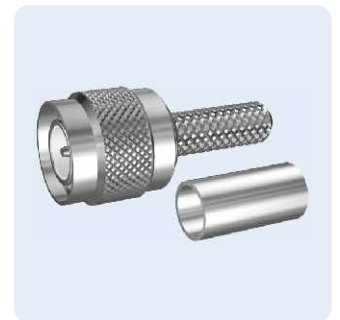
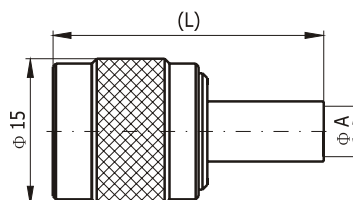
Straight Cable Plugs

| Product No. | Apply cable | Notes |
|-------------|-------------|--------------|
| 261B-7501 | 2.5/3/50S | A=3.1 L=25.6 |
| 261B-7502 | 2.5/50D | A=3.4 L=26.6 |
| 261B-7503 | 4/50S | A=4.2 L=27.6 |



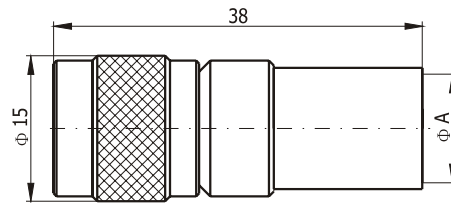
Straight Cable Plugs

| Product No. | Apply cable | Notes |
|-------------|-------------|--------------|
| 261B-7504 | 5/50S | A=5.2 L=28.0 |
| 261B-7505 | 5/50D | A=5.7 L=29.5 |



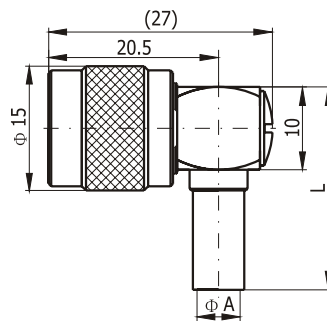
Straight Cable Plugs

| Product No. | Apply cable | Notes |
|-------------|-------------|--------|
| 261B-7506 | 7/50S | A=10.7 |
| 261B-7507 | 7/50D | A=11.2 |



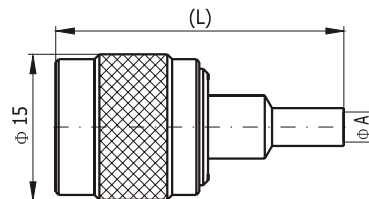
Right Angle Cable Plugs

| Product No. | Apply cable | Notes |
|-------------|-------------|--------------|
| 263B-7501 | 2.5/3/50S | A=3.1 L=20.5 |
| 263B-7502 | 2.5/50D | A=3.4 L=21.5 |
| 263B-7503 | 4/50S | A=4.2 L=22.5 |
| 263B-7504 | 5/50S | A=5.2 L=24.5 |
| 263B-7505 | 5/50D | A=5.7 L=26.0 |



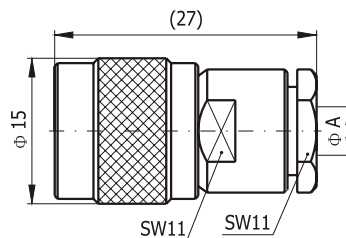
Straight Cable Plugs

| Product No. | Apply cable | Notes |
|-------------|-------------|--------------|
| 261B-7508 | 2/50S | A=2.5 L=29.2 |
| 261B-7509 | 2.5/3/50S | A=3.1 L=29.7 |
| 261B-7510 | 2.5/50D | A=3.4 L=29.7 |
| 261B-7511 | 4/50S | A=4.2 L=30.7 |



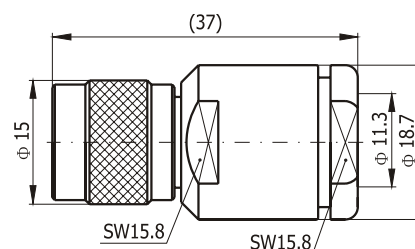
Straight Cable Plugs

| Product No. | Apply cable | Notes |
|-------------|-------------|-------|
| 261B-7531 | 2.5/3/50S+D | A=3.2 |
| 261B-7532 | 4/50S+D | A=4.2 |
| 261B-7533 | 5/50S+D | A=5.6 |



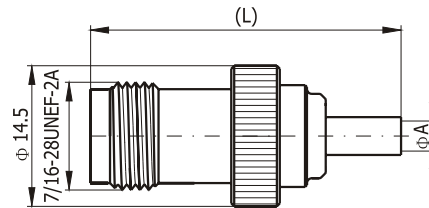
Straight Cable Plugs

| Product No. | Apply cable | Notes |
|-------------|-------------|-------|
| 261B-7534 | 7/50S+D | A=3.2 |



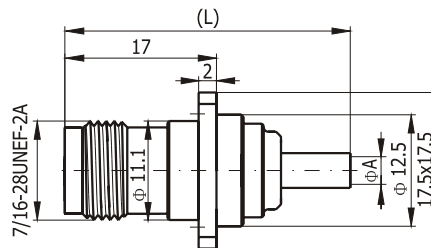
Straight Cable Jacks

| Product No. | Apply cable | Notes |
|-------------|-------------|--------------|
| 262B-7501 | 2.5/3/50S | A=3.1 L=32.0 |
| 262B-7502 | 2.5/50D | A=3.4 L=33.0 |
| 262B-7503 | 4/50S | A=4.2 L=34.0 |
| 262B-7504 | 5/50S | A=5.2 L=36.0 |
| 262B-7505 | 5/50D | A=5.7 L=37.5 |



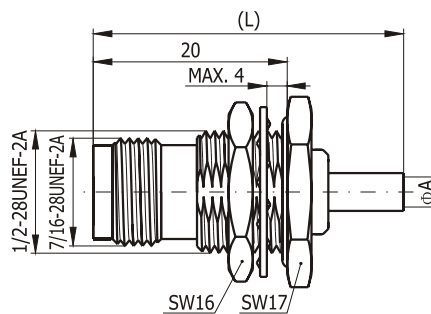
Straight Flange Cable Jacks

| Product No. | Apply cable | Mounting Hole | Notes |
|-------------|-------------|---------------|--------------|
| 262B-1501 | 2.5/3/50S | H81 | A=3.1 L=32.0 |
| 262B-1502 | 2.5/50D | H81 | A=3.4 L=33.0 |
| 262B-1503 | 4/50S | H81 | A=4.2 L=34.0 |
| 262B-1504 | 5/50S | H81 | A=5.2 L=36.0 |
| 262B-1505 | 5/50D | H81 | A=5.7 L=37.5 |



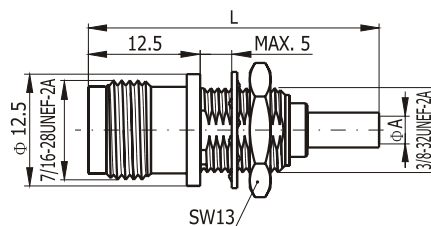
Straight Bulkhead Cable Jacks

| Product No. | Apply cable | Mounting Hole | Notes |
|-------------|-------------|---------------|--------------|
| 262B-2501 | 2.5/3/50S | H38 | A=3.1 L=32.0 |
| 262B-2502 | 2.5/50D | H38 | A=3.4 L=33.0 |
| 262B-2503 | 4/50S | H38 | A=4.2 L=34.0 |
| 262B-2504 | 5/50S | H38 | A=5.2 L=36.0 |
| 262B-2505 | 5/50D | H38 | A=5.7 L=37.5 |



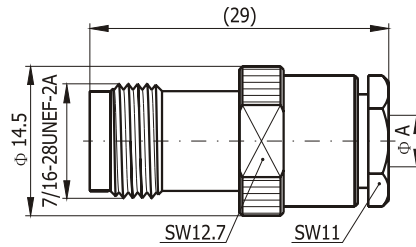
Straight Bulkhead Cable Jacks

| Product No. | Apply cable | Mounting Hole | Notes |
|-------------|-------------|---------------|--------------|
| 262B-2506 | 2.5/3/50S | H35 | A=3.1 L=32.5 |
| 262B-2507 | 2.5/50D | H35 | A=3.4 L=33.5 |



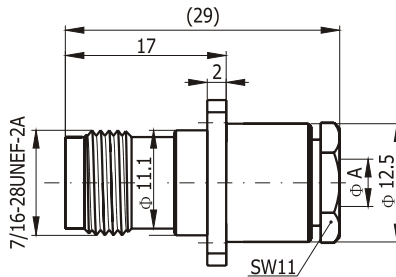
Straight Cable Jacks

| Product No. | Apply cable | Notes |
|-------------|-------------|-------|
| 262B-7531 | 2.5/3/50S+D | A=3.2 |
| 262B-7532 | 4/50S+D | A=4.2 |
| 262B-7533 | 5/50S+D | A=5.6 |



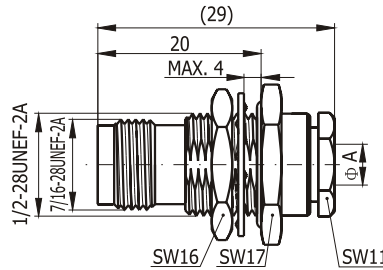
Straight Cable Jacks

| Product No. | Apply cable | Mounting Hole | Notes |
|-------------|-------------|---------------|-------|
| 262B-1531 | 2.5/3/50S+D | H81 | A=3.2 |
| 262B-1532 | 4/50S+D | H81 | A=4.2 |
| 262B-1533 | 5/50S+D | H81 | A=5.6 |



Straight Cable Jacks

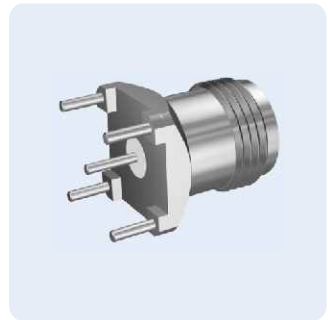
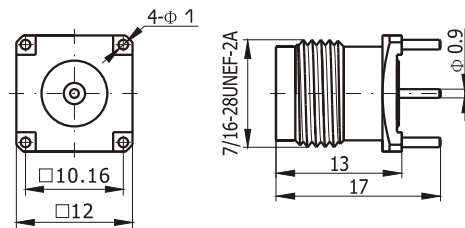
| Product No. | Apply cable | Mounting Hole | Notes |
|-------------|-------------|---------------|-------|
| 262B-2531 | 2.5/3/50S+D | H38 | A=3.2 |
| 262B-2532 | 4/50S+D | H38 | A=4.2 |
| 262B-2533 | 5/50S+D | H38 | A=5.6 |



3. PCB Connectors

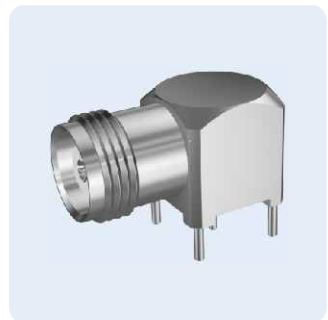
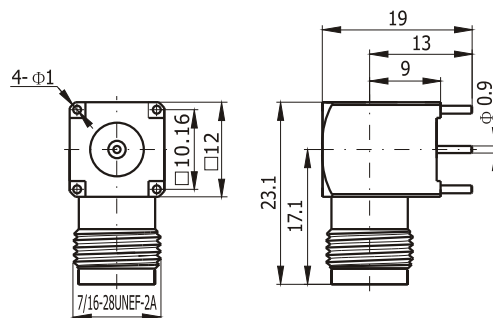
Straight PCB Jacks

| Product No. | Mounting Hole | Notes |
|-------------|---------------|-------|
| 262F-4801 | H80 | |



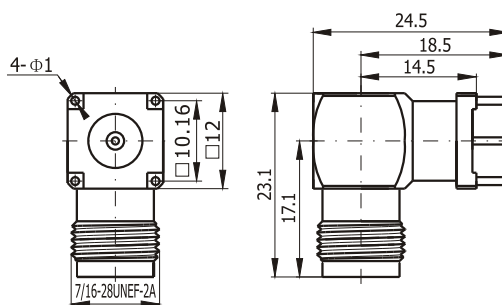
Right Angle PCB Jacks

| Product No. | Mounting Hole | Notes |
|-------------|---------------|-------|
| 264F-4801 | H80 | |



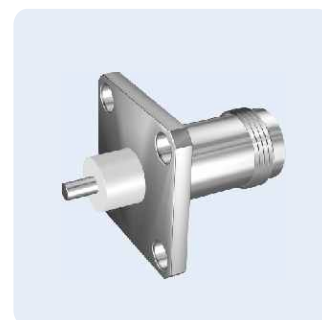
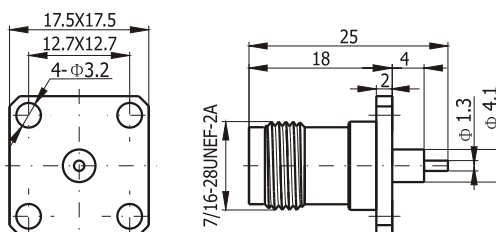
Right Angle PCB Jacks

| Product No. | Mounting Hole | Notes |
|-------------|---------------|-------|
| 264F-4802 | H80 | |



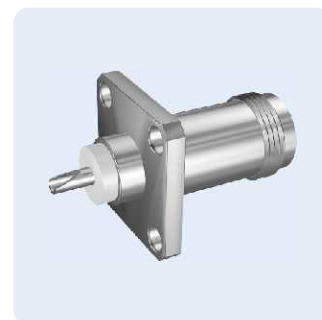
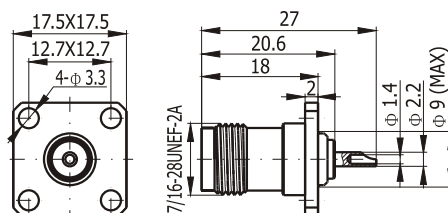
4. Flange Mount connectors Straight Flange Jacks

| Product No. | Mounting Hole | Notes |
|-------------|---------------|-------|
| 262B-0001 | H78 | |



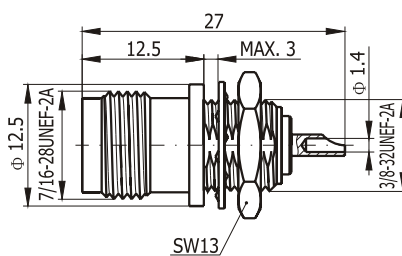
Straight Flange Jacks

| Product No. | Mounting Hole | Notes |
|-------------|---------------|-------|
| 262B-0002 | H81 | |



5. Bulkhead Mount Connectors Straight Bulkhead Jacks

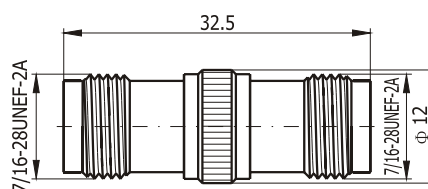
| Product No. | Mounting Hole | Notes |
|-------------|---------------|-------|
| 262B-2801 | H35 | |



6. Adapters

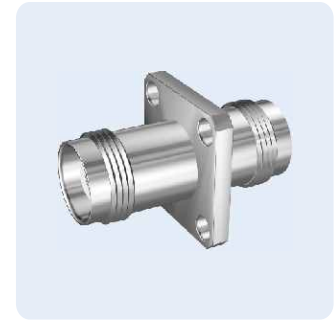
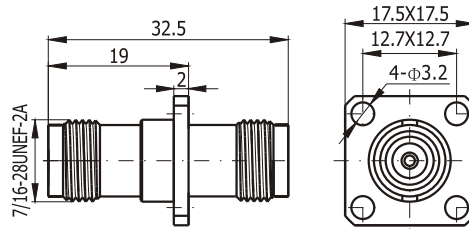
Straight TNC/TNC Jack to Jack

| Product No. | Notes |
|-------------|-------|
| 260B-7931 | |



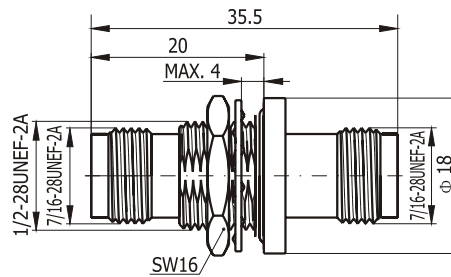
Straight Flange TNC/TNC Jack to Jack

| Product No. | Mounting Hole | Notes |
|-------------|---------------|-------|
| 260B-1931 | H81 | |

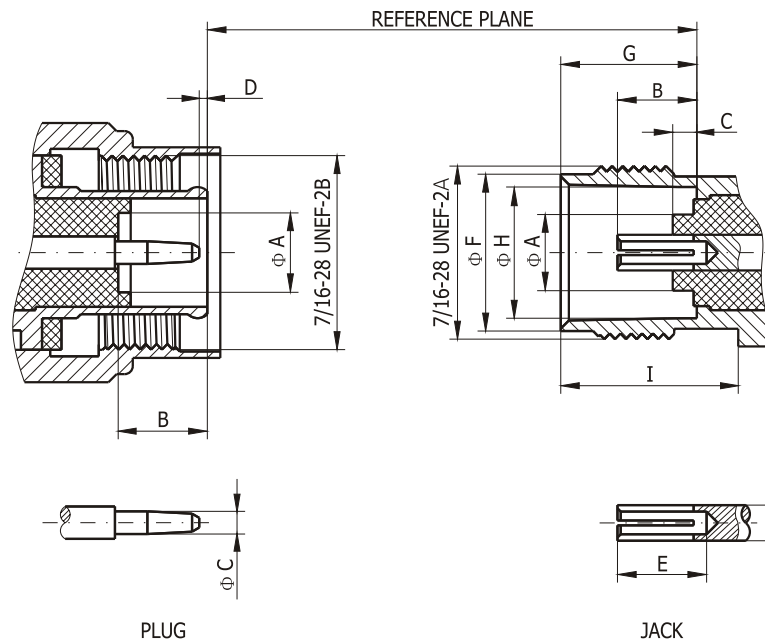


Straight Bulkhead TNC/TNC Jack to Jack

| Product No. | Mounting Hole | Notes |
|-------------|---------------|-------|
| 260B-2931 | H38 | |



Interface Dimensions in mm

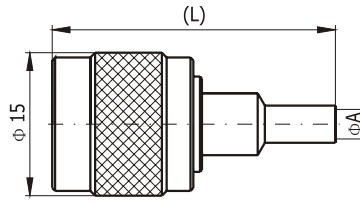


| Letter | Plug(male) | | Jack(female) | |
|--------|------------|---------|--------------|---------|
| | Minimum | Maximum | Minimum | Maximum |
| A | 4.83 | 4.97 | — | 4.72 |
| B | 5.28 | 5.79 | 4.72 | 5.23 |
| C | 1.32 | 1.37 | 1.50 | |
| D | 0.08 | 1.02 | 2.10 | |
| E | — | — | 4.95 | — |
| F | — | — | 9.60 | 9.70 |
| G | — | — | 8.35 | 8.48 |
| H | — | — | 8.10 | 8.15 |
| I | — | — | 10.60 | — |

1. Flexible Cable Connectors

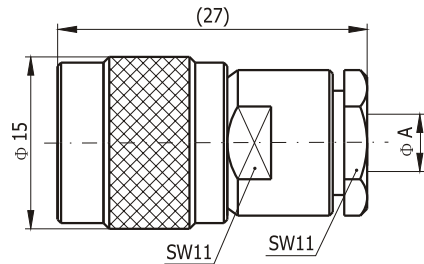
Straight Cable Plugs

| Product No. | Apply cable | Notes |
|-------------|-------------|--------------|
| 751B-7501 | 2/75S | A=2.5 L=29.2 |
| 751B-7502 | 2.5/3/75S | A=3.1 L=29.7 |
| 751B-7503 | 3.5/75D | A=4.5 L=30.7 |
| 751B-7504 | 4/75S | A=4.2 L=30.7 |
| 751B-7505 | 4/75D | A=4.3 L=30.7 |
| 751B-7506 | 5/75S | A=5.2 L=32.7 |



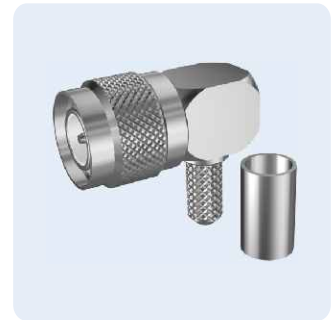
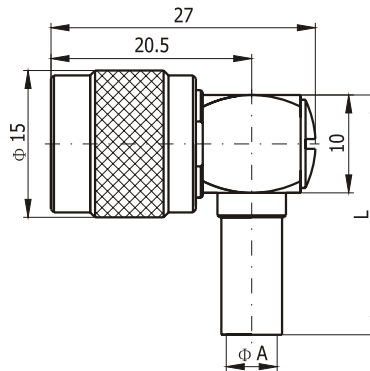
Straight Cable Plugs

| Product No. | Apply cable | Notes |
|-------------|-------------|-------|
| 751B-7531 | 2.5/3/75S | A=3.2 |
| 751B-7532 | 4/75S | A=4.2 |
| 751B-7533 | 5/75S | A=5.6 |



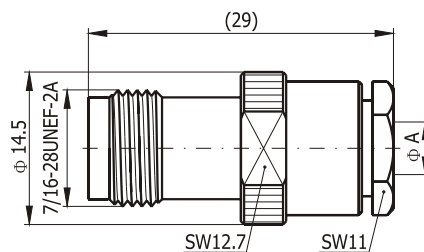
Right Angle Cable Plugs

| Product No. | Apply cable | Notes |
|-------------|-------------|--------------|
| 753B-7501 | 2.5/3/75S | A=3.1 L=20.5 |
| 753B-7502 | 3.5/75D | A=4.5 L=22.5 |
| 753B-7503 | 4/75S | A=4.2 L=22.5 |
| 753B-7504 | 4/75D | A=4.3 L=22.5 |
| 753B-7505 | 5/75S | A=5.2 L=24.5 |



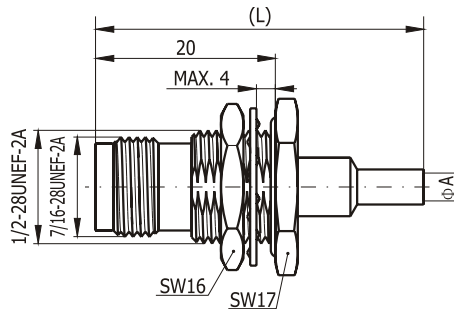
Straight Cable Jacks

| Product No. | Apply cable | Notes |
|-------------|-------------|-------|
| 752B-7531 | 2.5/3/75S | A=3.2 |
| 752B-7532 | 4/75S | A=4.2 |
| 752B-7533 | 5/75S | A=5.6 |



Straight Cable Jacks

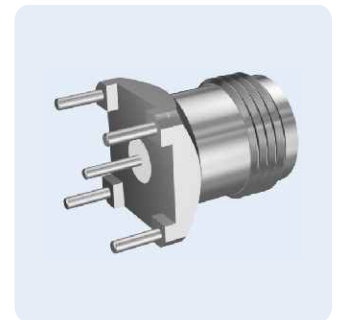
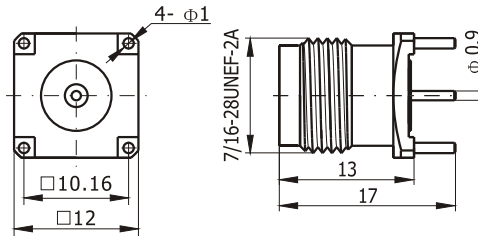
| Product No. | Apply cable | Mounting Hole | Notes |
|-------------|-------------|---------------|--------------|
| 752B-2501 | 2/75S | H38 | A=2.5 L=36.0 |
| 752B-2502 | 2.5/3/75S | H38 | A=3.1 L=36.5 |
| 752B-2503 | 3.5/75D | H38 | A=4.5 L=37.5 |
| 752B-2504 | 4/75S | H38 | A=4.2 L=37.5 |
| 752B-2505 | 4/75D | H38 | A=4.3 L=37.5 |
| 752B-2506 | 5/75S | H38 | A=5.2 L=39.5 |



2. PCB Connectors

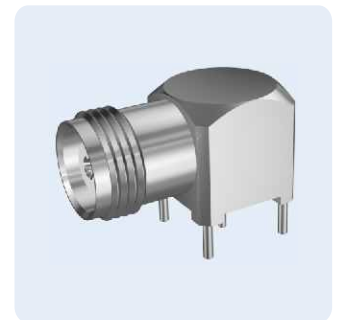
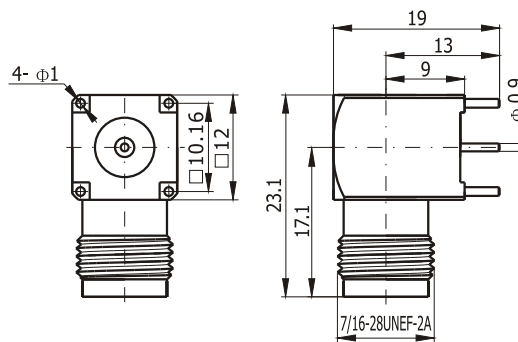
Straight PCB Jacks

| Product No. | Mounting Hole | Notes |
|-------------|---------------|-------|
| 752F-4801 | H80 | |



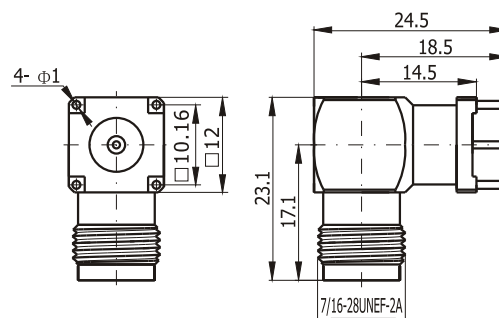
Right Angle PCB Jacks

| Product No. | Mounting Hole | Notes |
|-------------|---------------|-------|
| 754F-4801 | H80 | |



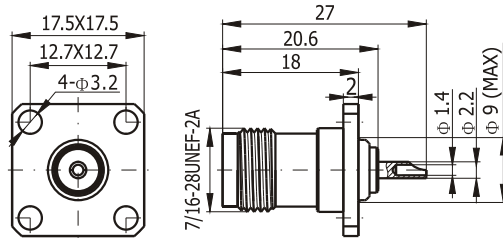
Right Angle PCB Jacks

| Product No. | Mounting Hole | Notes |
|-------------|---------------|-------|
| 754F-4802 | H80 | |



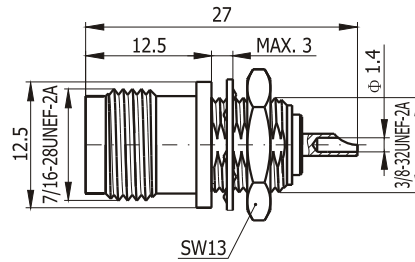
4. Flange Mount Connectors Straight Flange Jacks

| Product No. | Mounting Hole | Notes |
|-------------|---------------|-------|
| 752B-0001 | H81 | |



5. Bulkhead Mount Connectors Straight Bulkhead Jacks

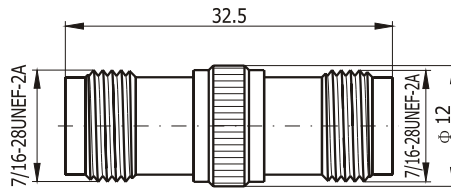
| Product No. | Mounting Hole | Notes |
|-------------|---------------|-------|
| 752B-2801 | H35 | |



6. Adapters

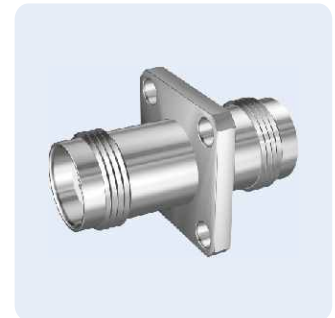
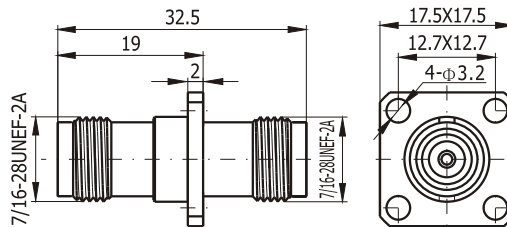
Straight TNC/TNC Jack to Jack

| Product No. | Notes |
|-------------|-------|
| 750B-7931 | |



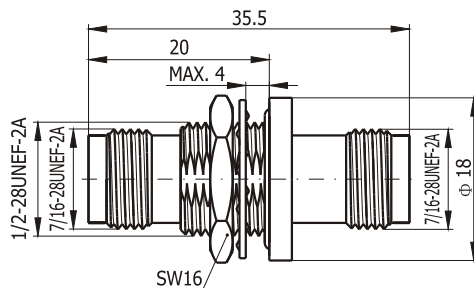
Straight Flange TNC/TNC Jack to Jack

| Product No. | Mounting Hole | Notes |
|-------------|---------------|-------|
| 750B-1931 | H81 | |



Straight Bulkhead TNC/TNC Jack to Jack

| Product No. | Mounting Hole | Notes |
|-------------|---------------|-------|
| 750B-2931 | H38 | |



Series N are very popular screw-coupling middlepower coaxial connectors, Which have the excellent performances of vibration proof, high reliability, superior electrical and mechanical properties, are widely used for communication applications.

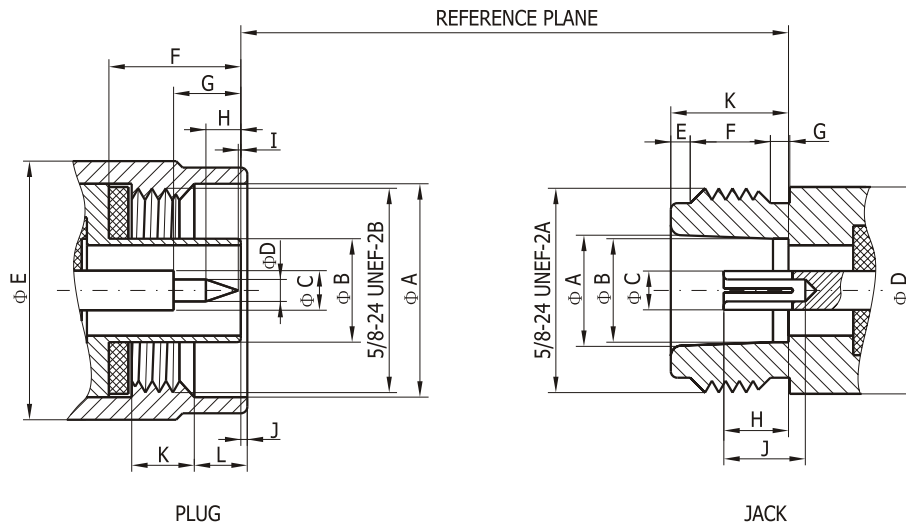
The interface dimensions and technical characteristics are in accord with the specifications of MIL-STD-348A-304, IEC 60169-16 and CECC 22210.



| | | KEY PERFORMANCE | | |
|--------------------------|-----------|---------------------------------|------------------|---------|
| Temperature range | -65~+165℃ | Insulation resistance | ≥ 5000MΩ | |
| Characteristic impedandc | 50Ω | Dielectric Withstanding voltage | 1500V | |
| Frequency range | 0~11GHz | Contact resistance | Center conductor | ≤ 1mΩ |
| | | | Outer conductor | ≤ 0.2mΩ |
| VSWR | ≤1.30 | Durability | 500 Cycles | |

| | | MATERIAL AND PLATING |
|------------------------|--|---|
| Body | | Brass,gold/nickel plated |
| Male center contacts | | Brass,gold plated |
| Female center contacts | | Beryllium copper or phosphor bronze,gold plated |
| Insulators | | PTFE |
| Gaskets | | Silicone rubber |
| Crimp ferrules | | Copper alloy,nickel plated |

Interface Dimensions in mm

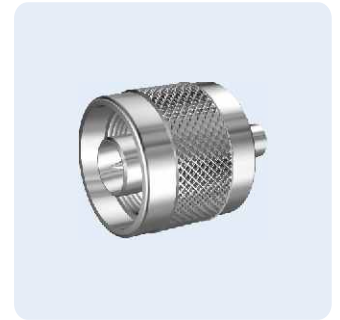
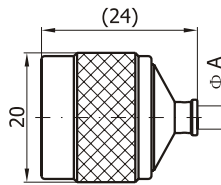


| Letter | Plug(male) | | Jack(female) | |
|--------|------------|---------|--------------|---------|
| | Minimum | Maximum | Minimum | Maximum |
| A | 16.0 | — | 8.53 | 8.74 |
| B | — | 8.38 | 8.03 | 8.13 |
| C | 3.00 | 3.15 | 3.00 | 3.15 |
| D | 1.60 | 1.68 | — | 15.93 |
| E | — | 21.0 | 1.19 | 1.96 |
| F | 10.11 | 10.46 | 4.37 | 5.13 |
| G | 5.33 | 5.84 | 1.19 | 1.96 |
| H | 3.30 | 4.32 | 4.75 | 5.26 |
| I | 0.08 | — | 5.33 | — |
| J | 0.41 | 1.52 | 9.04 | 9.19 |
| K | 4.50 | 5.00 | — | — |
| L | 4.01 | 4.27 | — | — |

1. Semi-rigid Cable connectors

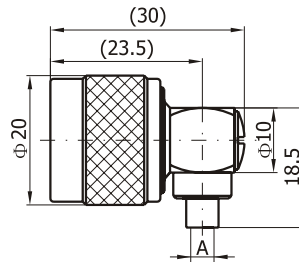
Straight Cable Plugs

| Product No. | Apply cable | Notes |
|-------------|-------------|-------|
| 271B-7661 | .086 | A=2.2 |
| 271B-7662 | .141 | A=3.6 |



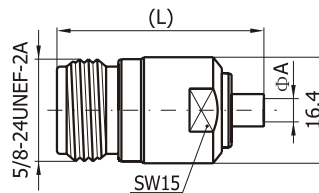
Right Angle Cable Plugs

| Product No. | Apply cable | Notes |
|-------------|-------------|-------|
| 273B-7661 | .086 | A=2.2 |
| 273B-7662 | .141 | A=3.6 |



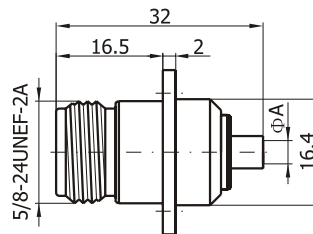
Straight Cable Jacks

| Product No. | Apply cable | Notes |
|-------------|-------------|-------|
| 272B-7661 | .086 | A=2.2 |
| 272B-7662 | .141 | A=3.6 |



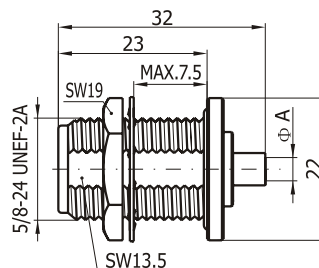
Straight Flange Cable Jacks

| Product No. | Apply cable | Mounting Hole | Notes |
|-------------|-------------|---------------|-------|
| 272B-1661 | .086 | H87 | A=2.2 |
| 272B-1662 | .141 | H87 | A=3.6 |



Straight Bulkhead Cable Jacks

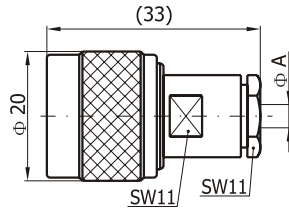
| Product No. | Apply cable | Mounting Hole | Notes |
|-------------|-------------|---------------|-------|
| 272B-2661 | .086 | H39 | A=2.2 |
| 272B-2662 | .141 | H39 | A=3.6 |



2. Flexible Cable Connectors

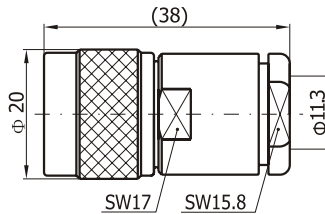
Straight Cable Plugs

| Product No. | Apply cable | Notes |
|-------------|-------------|-------|
| 271B-7531 | 2.5/3/50S | A=3.2 |
| 271B-7532 | 4/50S | A=4.2 |
| 271B-7533 | 5/50S+D | A=5.6 |



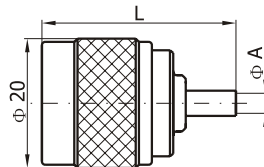
Straight Cable Plugs

| Product No. | Apply cable | Notes |
|-------------|-------------|-------|
| 271B-7534 | 7/50S+D | A=5.6 |



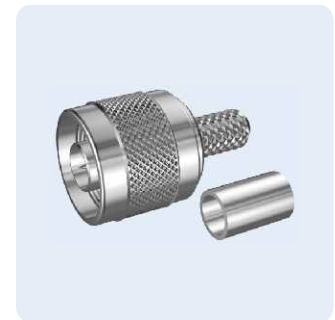
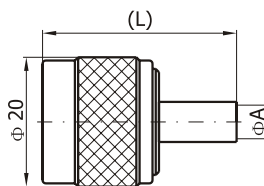
Straight Cable Plugs

| Product No. | Apply cable | Notes |
|-------------|-------------|--------------|
| 271B-7501 | 2.5/3/50S | A=3.1 L=30.0 |
| 271B-7502 | 2.5/50D | A=3.4 L=31.0 |



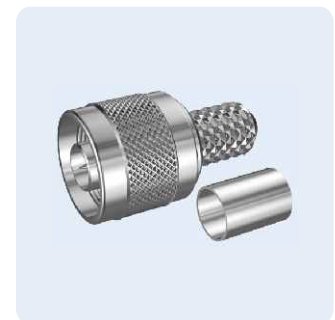
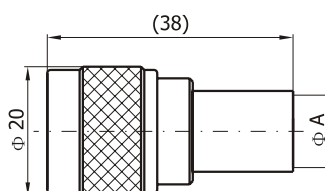
Straight Cable Plugs

| Product No. | Apply cable | Notes |
|-------------|-------------|--------------|
| 271B-7503 | 5/50S | A=5.2 L=30.0 |
| 271B-7504 | 5/50D | A=5.7 L=31.5 |



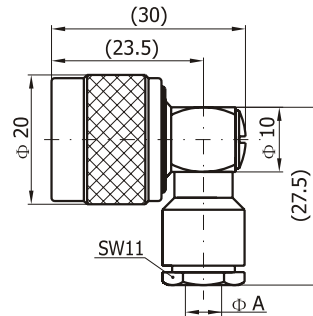
Straight Cable Plugs

| Product No. | Apply cable | Notes |
|-------------|-------------|--------|
| 271B-7505 | 7/50S | A=10.7 |
| 271B-7506 | 7/50D | A=11.2 |



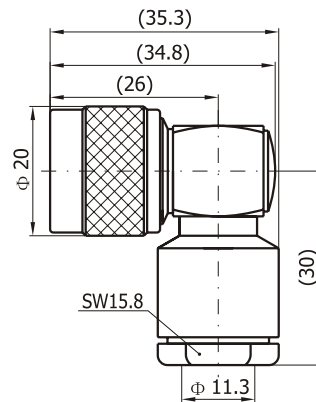
Right Angle Cable Plugs

| Product No. | Apply cable | Notes |
|-------------|-------------|-------|
| 273B-7531 | 2.5/3/50S | A=3.2 |
| 273B-7532 | 4/50S | A=4.2 |
| 273B-7533 | 5/50S+D | A=5.6 |



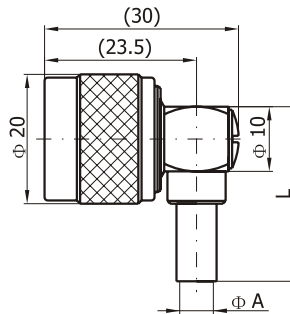
Right Angle Cable Plugs

| Product No. | Apply cable | Notes |
|-------------|-------------|-------|
| 273B-7534 | 7/50S+D | |



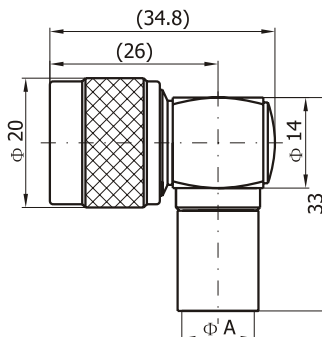
Right Angle Cable Plugs

| Product No. | Apply cable | Notes |
|-------------|-------------|--------------|
| 273B-7501 | 2.5/3/50S | A=3.1 L=23.0 |
| 273B-7502 | 2.5/50D | A=3.4 L=24.0 |
| 273B-7503 | 4/50S | A=4.2 L=25.0 |
| 273B-7504 | 5/50S | A=5.2 L=27.0 |
| 273B-7505 | 5/50D | A=5.7 L=28.5 |



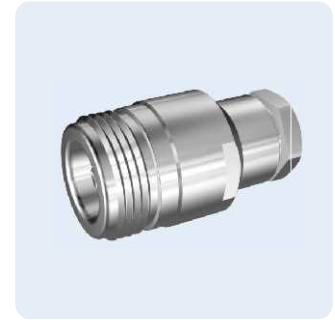
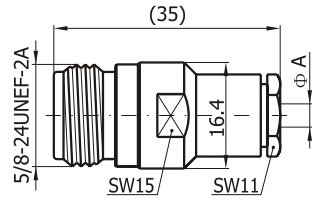
Right Angle Cable Plugs

| Product No. | Apply cable | Notes |
|-------------|-------------|--------|
| 273B-7506 | 7/50S | A=10.7 |
| 273B-7507 | 7/50D | A=11.2 |



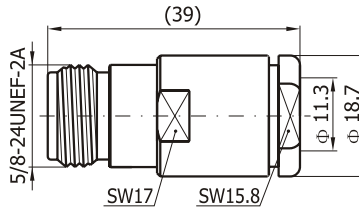
Straight Cable Jacks

| Product No. | Apply cable | Notes |
|-------------|-------------|-------|
| 272B-7531 | 2.5/3/50S | A=3.2 |
| 272B-7532 | 4/50S | A=4.2 |
| 272B-7533 | 5/50S+D | A=5.6 |



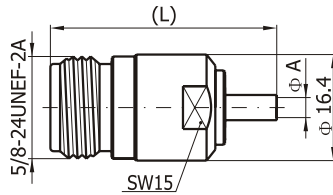
Straight Cable Jacks

| Product No. | Apply cable | Notes |
|-------------|-------------|-------|
| 272B-7534 | 7/50S+D | |



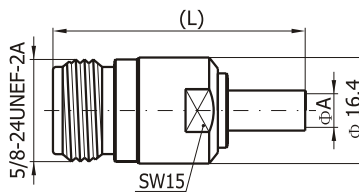
Straight Cable Jacks

| Product No. | Apply cable | Notes |
|-------------|-------------|--------------|
| 272B-7501 | 2.5/3/50S | A=3.1 L=35.0 |
| 272B-7502 | 2.5/50D | A=3.4 L=36.0 |



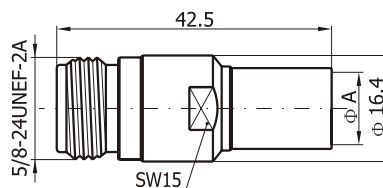
Straight Cable Jacks

| Product No. | Apply cable | Notes |
|-------------|-------------|--------------|
| 272B-7503 | 5/50S | A=5.2 L=39.0 |
| 272B-7504 | 5/50D | A=5.7 L=40.5 |



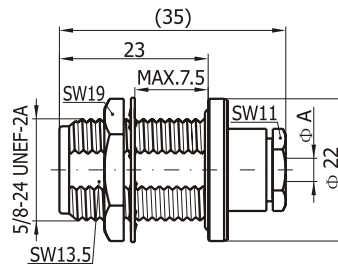
Straight Cable Jacks

| Product No. | Apply cable | Notes |
|-------------|-------------|--------|
| 272B-7505 | 7/50S | A=10.7 |
| 272B-7506 | 7/50D | A=11.2 |



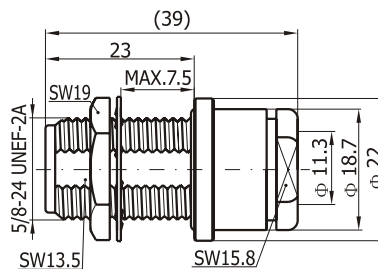
Straight Bulkhead Cable Jacks

| Product No. | Apply cable | Mounting Hole | Notes |
|-------------|-------------|---------------|-------|
| 272B-2531 | 2.5/3/50S | H39 | A=3.2 |
| 272B-2532 | 4/50S | H39 | A=4.2 |
| 272B-2533 | 5/50S | H39 | A=5.6 |



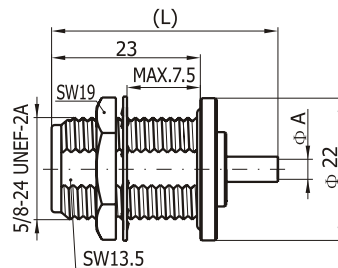
Straight Bulkhead Cable Jacks

| Product No. | Apply cable | Mounting Hole | Notes |
|-------------|-------------|---------------|-------|
| 272B-2534 | 5/50S | H39 | A=5.6 |



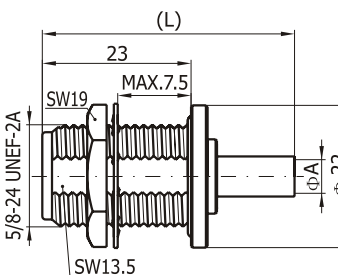
Straight Bulkhead Cable Jacks

| Product No. | Apply Cable | Mounting Hole | Notes |
|-------------|-------------|---------------|--------------|
| 272B-2501 | 2.5/3/50S | H39 | A=3.1 L=35.0 |
| 272B-2502 | 2.5/50D | H39 | A=3.4 L=36.0 |



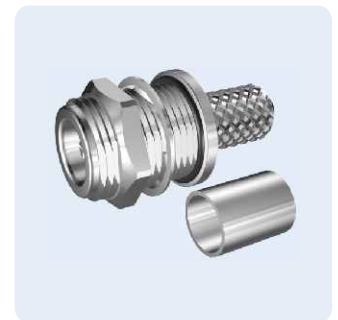
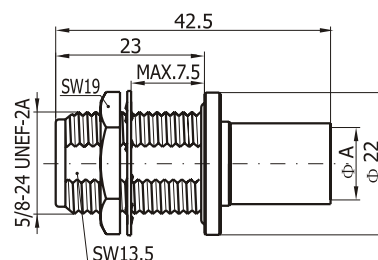
Straight Bulkhead Cable Jacks

| Product No. | Apply Cable | Mounting Hole | Notes |
|-------------|-------------|---------------|--------------|
| 272B-2503 | 5/50S | H39 | A=5.2 L=39.0 |
| 272B-2504 | 5/50D | H39 | A=5.7 L=40.5 |



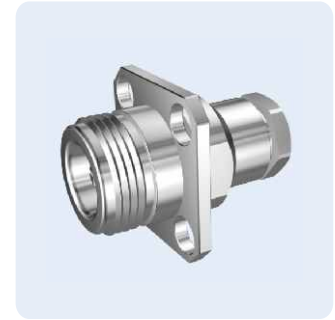
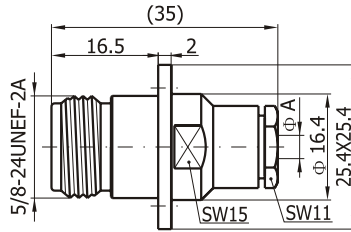
Straight Bulkhead Cable Jacks

| Product No. | Apply Cable | Mounting Hole | Notes |
|-------------|-------------|---------------|--------|
| 272B-2505 | 7/50S | H39 | A=10.7 |
| 272B-2506 | 7/50D | H39 | A=11.2 |



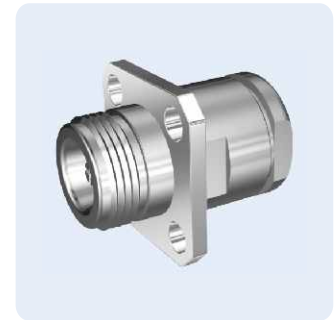
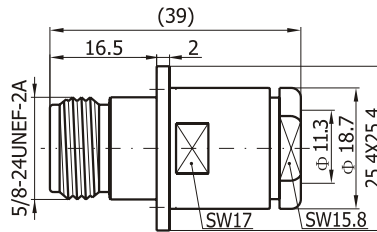
Straight Flange Cable Jacks

| Product No. | Apply Cable | Mounting Hole | Notes |
|-------------|-------------|---------------|-------|
| 272B-1531 | 2.5/3/50S | H87 | A=3.2 |
| 272B-1532 | 4/50S | H87 | A=4.2 |
| 272B-1533 | 5/50S+D | H87 | A=5.6 |



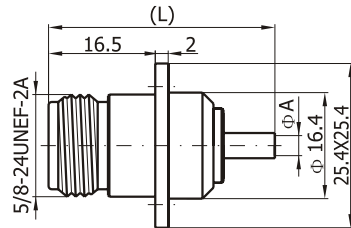
Straight Flange Cable Jacks

| Product No. | Apply Cable | Mounting Hole | Notes |
|-------------|-------------|---------------|-------|
| 272B-1534 | 7/50S+D | H88 | |



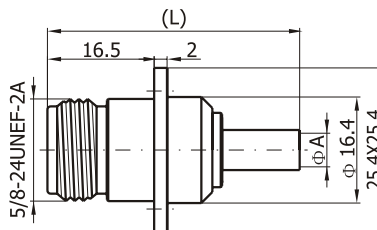
Straight Flange Cable Jacks

| Product No. | Apply Cable | Mounting Hole | Notes |
|-------------|-------------|---------------|--------------|
| 272B-1501 | 2.5/3/50S | H87 | A=3.1 L=35.0 |
| 272B-1502 | 2.5/50D | H87 | A=3.4 L=36.0 |



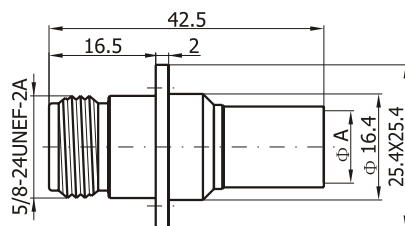
Straight Flange Cable Jacks

| Product No. | Apply Cable | Mounting Hole | Notes |
|-------------|-------------|---------------|--------------|
| 272B-1503 | 5/50S | H87 | A=5.2 L=39.0 |
| 272B-1504 | 5/50D | H87 | A=5.7 L=40.5 |



Straight Flange Cable Jacks

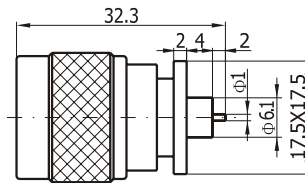
| Product No. | Apply Cable | Mounting Hole | Notes |
|-------------|-------------|---------------|--------|
| 272B-1505 | 7/50S | H87 | A=10.7 |
| 272B-1506 | 7/50D | H87 | A=11.2 |



3. Flange Mount Connectors

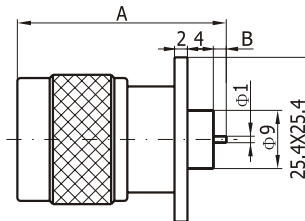
Straight Flange Plugs

| Product No. | Mounting Hole | Notes |
|-------------|---------------|-------|
| 271B-0001 | H79 | |



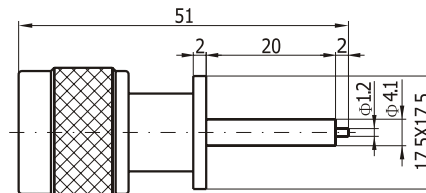
Straight Flange Plugs

| Product No. | Mounting Hole | Notes |
|-------------|---------------|--------------|
| 271B-0002 | H82 | A=26.2 B=1.8 |
| 271B-0003 | H82 | A=29.9 B=5.5 |



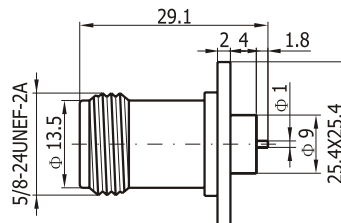
Straight Flange Plugs

| Product No. | Mounting Hole | Notes |
|-------------|---------------|-------|
| 271B-0004 | H78 | |



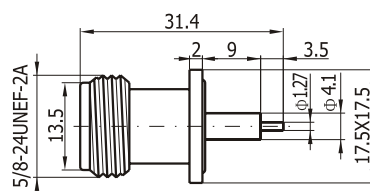
Straight Flange Jacks

| Product No. | Mounting Hole | Notes |
|-------------|---------------|-------|
| 272B-0001 | H82 | |



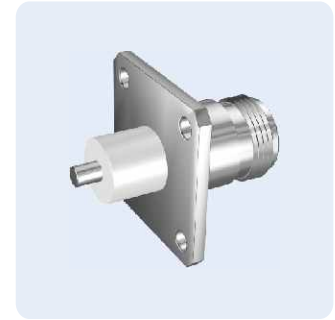
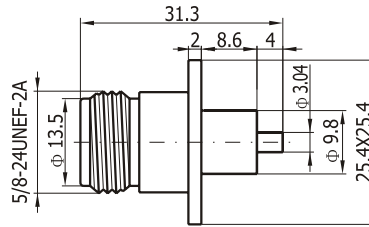
Straight Flange Jacks

| Product No. | Mounting Hole | Notes |
|-------------|---------------|-------|
| 272B-0002 | H78 | |



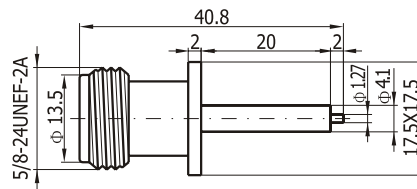
Straight Flange Jacks

| Product No. | Mounting Hole | Notes |
|-------------|---------------|-------|
| 272B-0003 | H84 | |



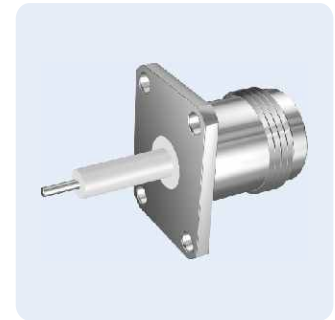
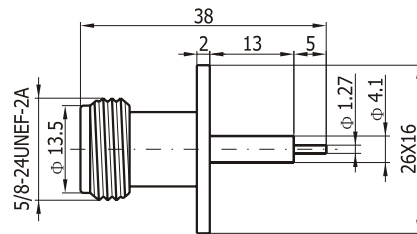
Straight Flange Jacks

| Product No. | Mounting Hole | Notes |
|-------------|---------------|-------|
| 272B-0004 | H78 | |



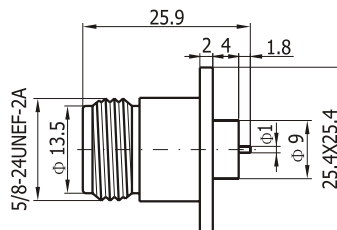
Straight Flange Jacks

| Product No. | Mounting Hole | Notes |
|-------------|---------------|-------|
| 272B-0005 | H89 | |



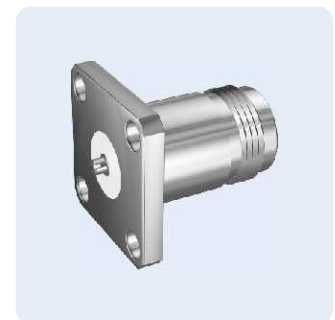
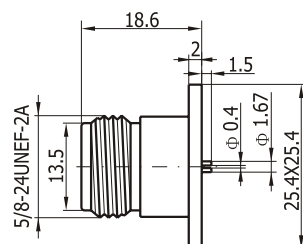
Straight Flange Jacks

| Product No. | Mounting Hole | Notes |
|-------------|---------------|-------|
| 272B-0006 | H82 | |



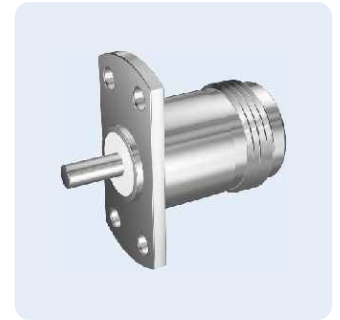
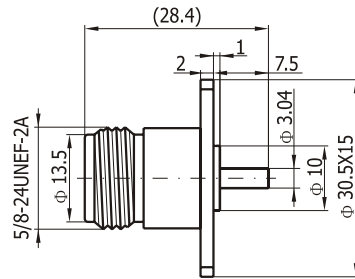
Straight Flange Jacks

| Product No. | Mounting Hole | Notes |
|-------------|---------------|-------|
| 272B-0007 | H86 | |



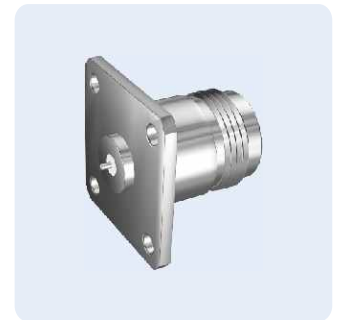
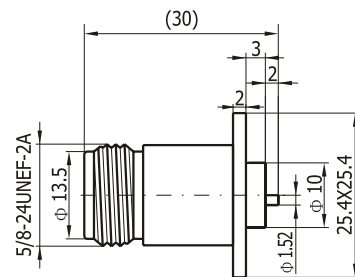
Straight Flange Jacks

| Product No. | Mounting Hole | Notes |
|-------------|---------------|-------|
| 272B-0008 | H90 | |



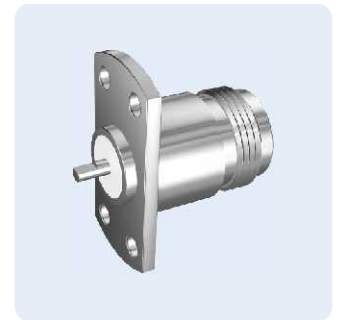
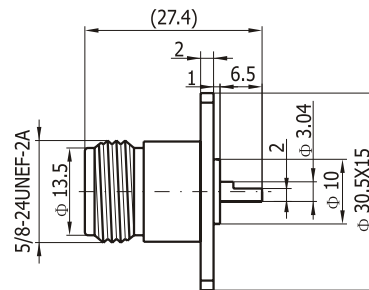
Straight Flange Jacks

| Product No. | Mounting Hole | Notes |
|-------------|---------------|-------|
| 272B-0009 | H84 | |



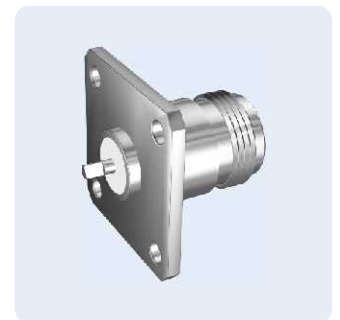
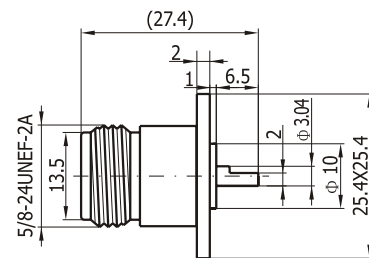
Straight Flange Jacks

| Product No. | Mounting Hole | Notes |
|-------------|---------------|-------|
| 272B-0010 | H90 | |



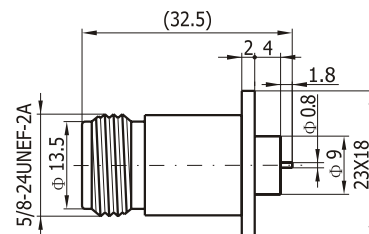
Straight Flange Jacks

| Product No. | Mounting Hole | Notes |
|-------------|---------------|-------|
| 272B-0011 | H84 | |



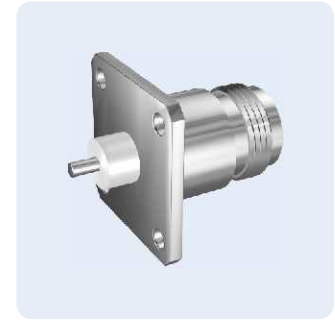
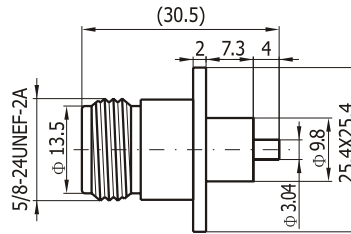
Straight Flange Jacks

| Product No. | Mounting Hole | Notes |
|-------------|---------------|-------|
| 272B-0012 | H92 | |



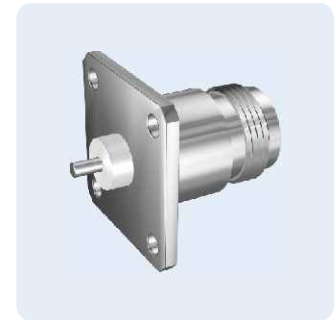
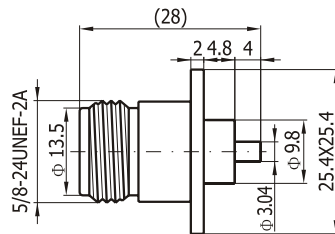
Straight Flange Jacks

| Product No. | Mounting Hole | Notes |
|-------------|---------------|-------|
| 272B-0018 | H84 | |



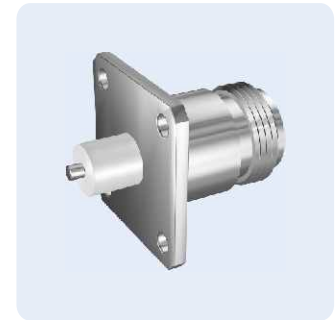
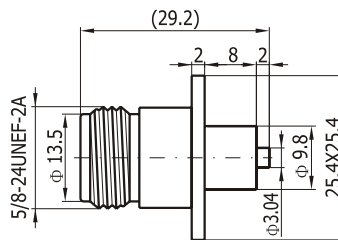
Straight Flange Jacks

| Product No. | Mounting Hole | Notes |
|-------------|---------------|-------|
| 272B-0019 | H84 | |



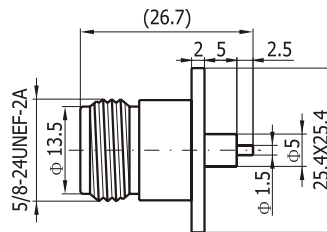
Straight Flange Jacks

| Product No. | Mounting Hole | Notes |
|-------------|---------------|-------|
| 272B-0020 | H84 | |



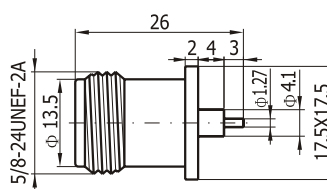
Straight Flange Jacks

| Product No. | Mounting Hole | Notes |
|-------------|---------------|-------|
| 272B-0021 | H83 | |



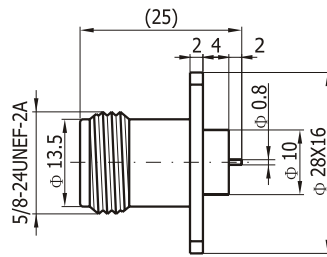
Straight Flange Jacks

| Product No. | Mounting Hole | Notes |
|-------------|---------------|-------|
| 272B-0022 | H78 | |



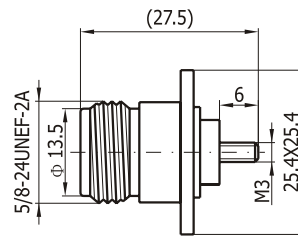
Straight Flange Jacks

| Product No. | Mounting Hole | Notes |
|-------------|---------------|-------|
| 272B-0023 | H94 | |



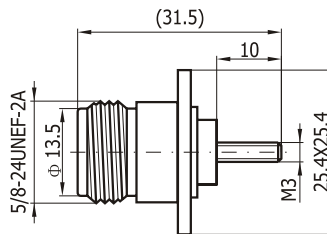
Straight Flange Jacks

| Product No. | Mounting Hole | Notes |
|-------------|---------------|-------|
| 272B-0024 | H85 | |



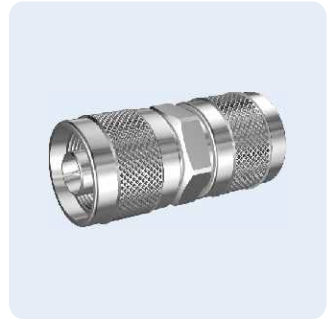
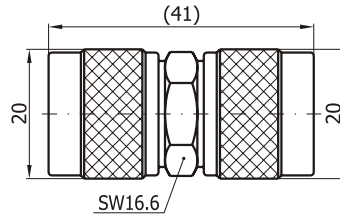
Straight Flange Jacks

| Product No. | Mounting Hole | Notes |
|-------------|---------------|-------|
| 272B-0025 | H85 | |



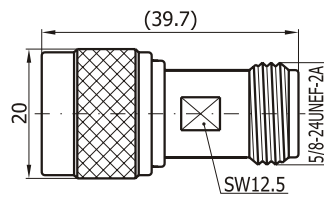
4. Adapter
 Straight N/N Plug to Plug

| Product No. | Notes |
|-------------|-------|
| 270B-7911 | |



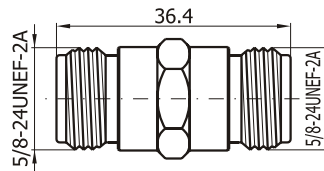
Straight N/N Plug to Jack

| Product No. | Notes |
|-------------|-------|
| 270B-7921 | |



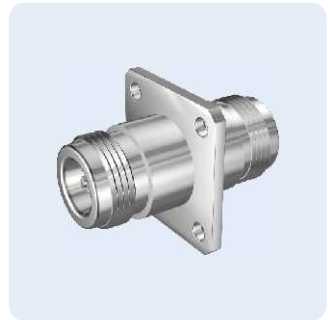
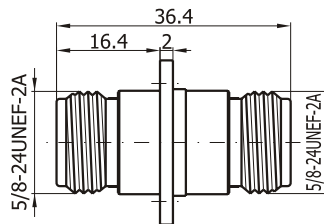
Straight N/N Jack to Jack

| Product No. | Notes |
|-------------|-------|
| 270B-7931 | |



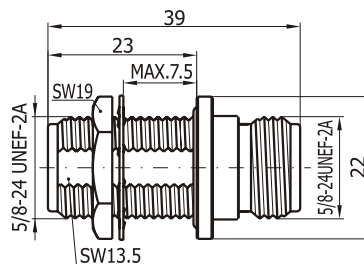
Straight Flange N/N Jack to Jack

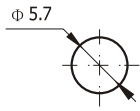
| Product No. | Mounting Hole | Notes |
|-------------|---------------|-------|
| 270B-1931 | H88 | |



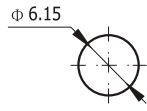
Straight Bulkhead N/N Jack to Jack

| Product No. | Mounting Hole | Notes |
|-------------|---------------|-------|
| 270B-2931 | H39 | |

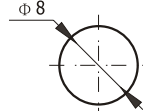




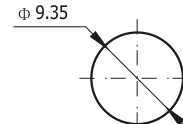
H1



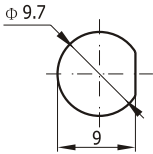
H2



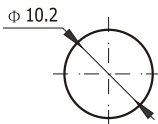
H3



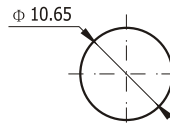
H4



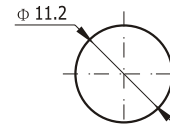
H5



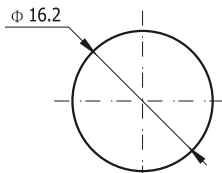
H6



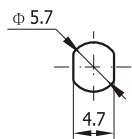
H7



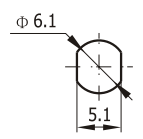
H8



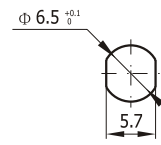
H9



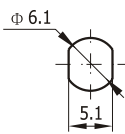
H12



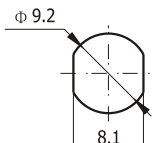
H13



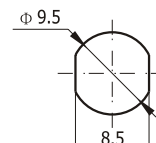
H14



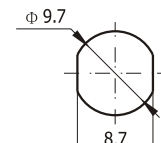
H15



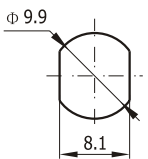
H16



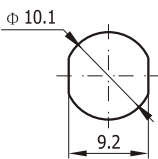
H17



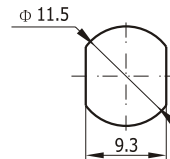
H18



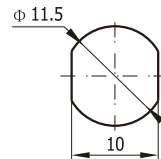
H19



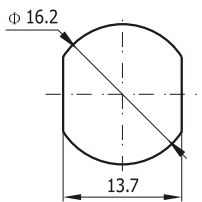
H20



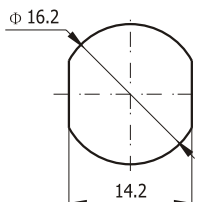
H21



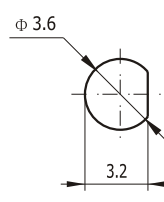
H22



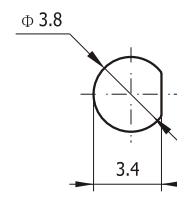
H23



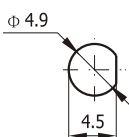
H24



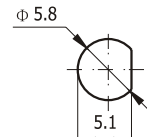
H28



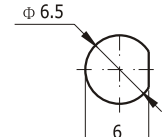
H29



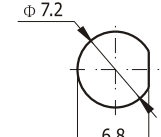
H31



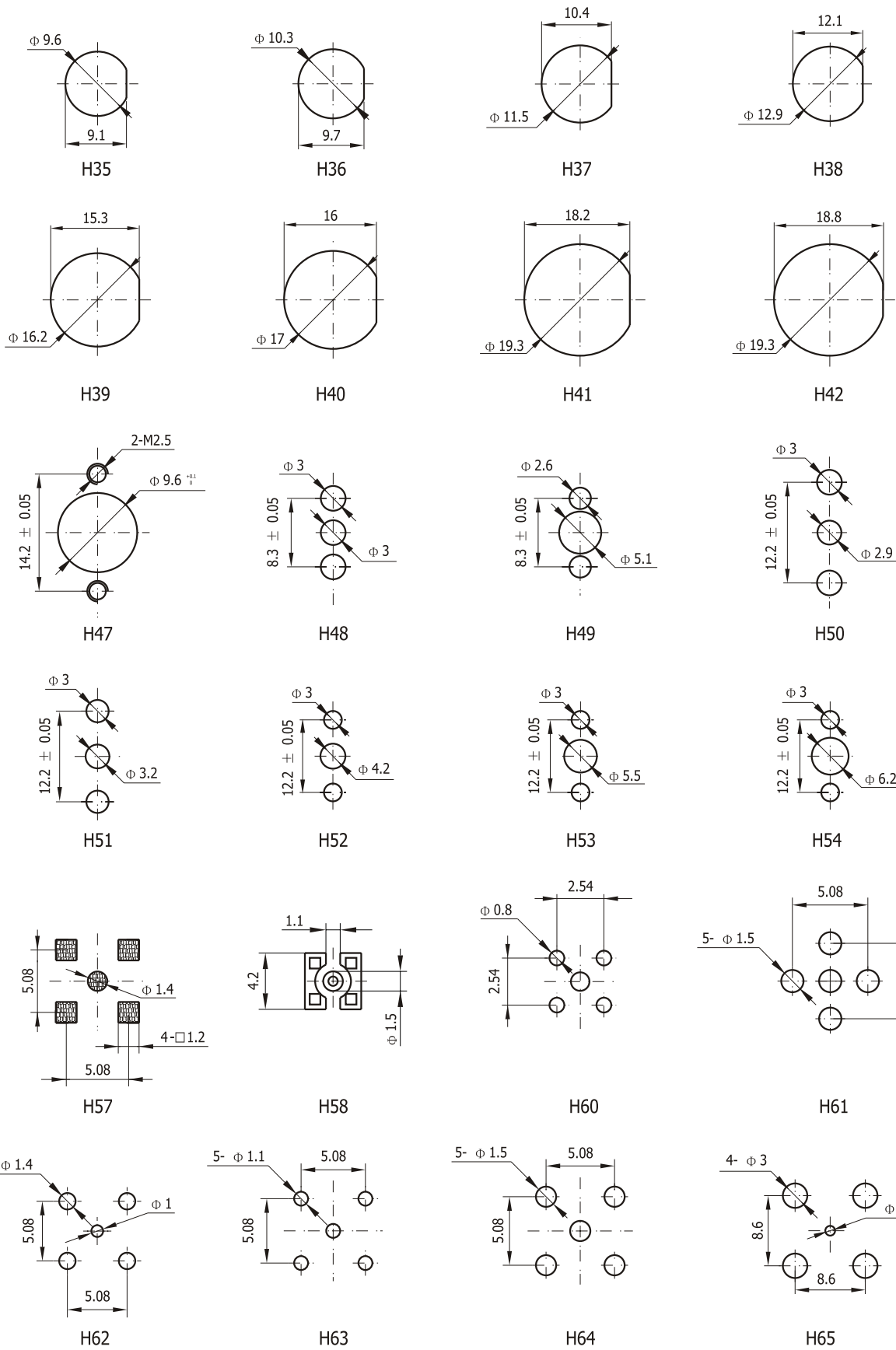
H32

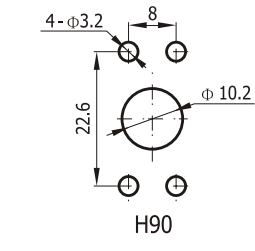
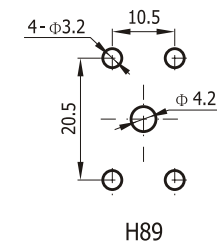
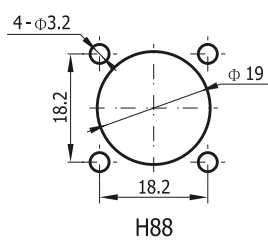
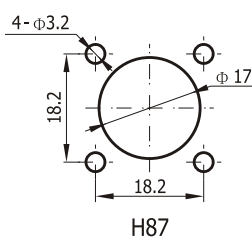
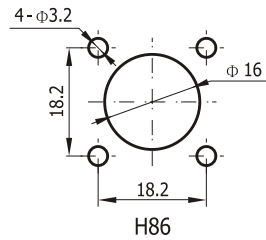
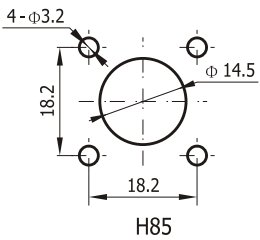
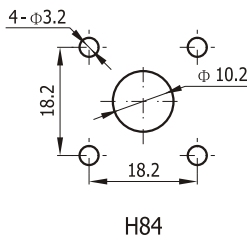
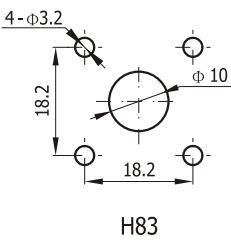
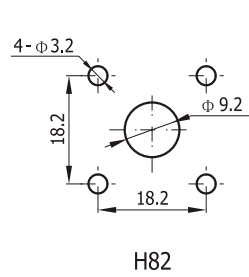
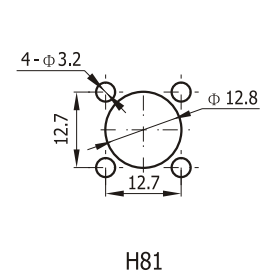
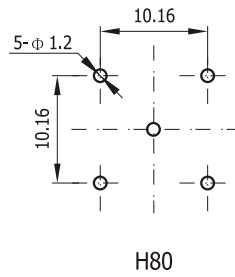
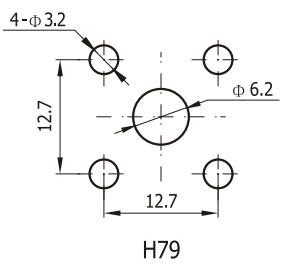
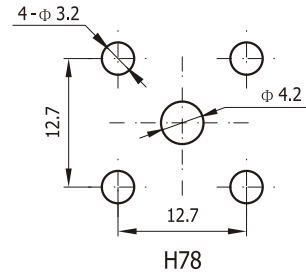
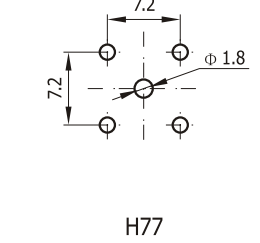
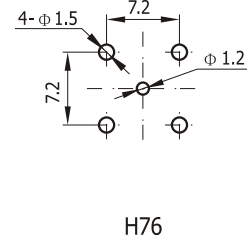
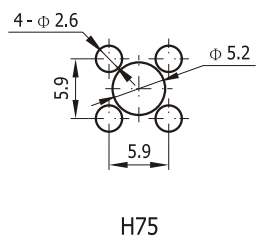
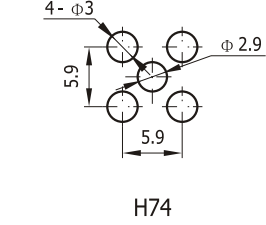
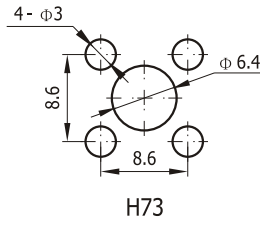
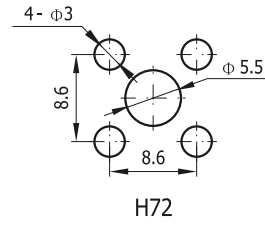
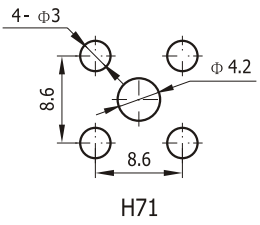
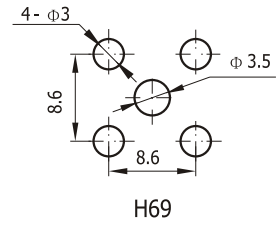
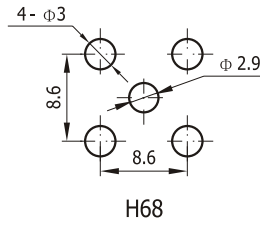
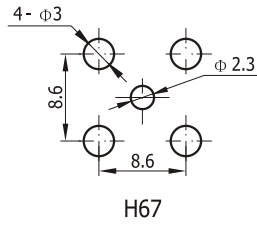
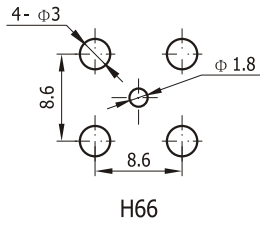


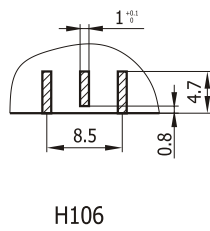
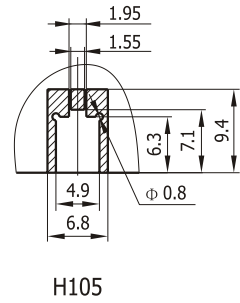
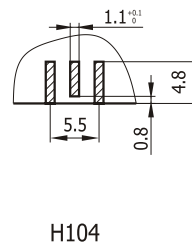
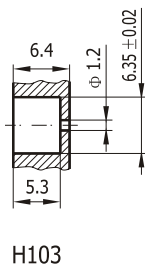
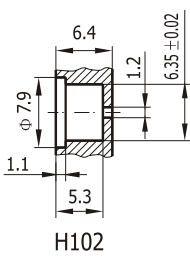
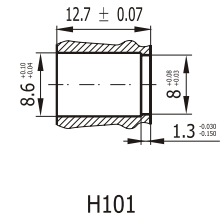
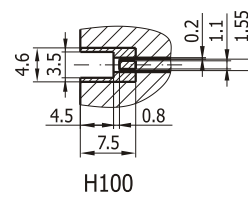
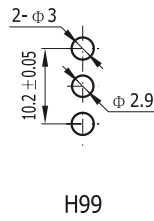
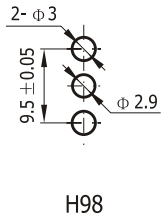
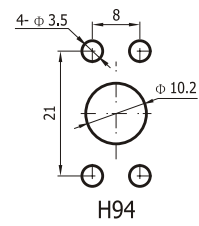
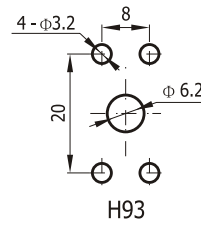
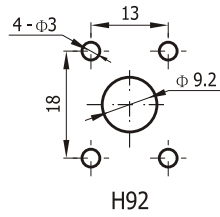
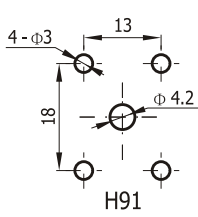
H33



H34







| DIMENSIONS OF APPLICABLE CABLES | | | | | | | |
|---|-----------|--------------|---------|------------|------------|-----------|-------------|
| S:1 braid D:2 braid *:Armoured | | | | | | | |
| CABLE TYPE | IMP. Ω | DIAMETER(MM) | | | | | CABLE GROUP |
| | | CORE | | DIELECTRIC | MAX SCREEN | JACKET | |
| | | Composition | Nom.Dia | | | | |
| FLEXIBLE AND SEMI-RIGID CABLES(MIL-C-17-F) | | | | | | | |
| RG-5A/U | 50 | single core | 1.29 | 4.60 | 6.30D | 8.33 | 8/50D |
| RG-6A/U | 75 | single core | 0.72 | 4.70 | 6.30D | 8.43 | 8/75D |
| RG-8/U | 50 | 7X0.72 | 2.17 | 7.24 | 8.20S | 10.29 | 7/50S |
| RG-9/U | 50 | 7X0.72 | 2.17 | 7.11 | 8.70D | 10.67 | 7/50D |
| RG-10/U | 50 | 7X0.72 | 2.17 | 7.24 | 8.20S | 12.07* | 7/50S |
| RG-11/U | 75 | 7X0.4 | 1.21 | 7.24 | 8.20S | 10.29 | 7/75S |
| RG-12/U | 75 | 7X0.4 | 1.21 | 7.24 | 8.20S | 12.07* | 7/75S |
| RG-21/U | 50 | single core | 1.29 | 4.70 | 6.30D | 8.43 | 8/75D |
| RG-55/U | 50 | single core | 0.81 | 2.95 | 4.20D | 5.23 | 5/50D |
| RG-58/U | 50 | single core | 0.81 | 2.95 | 3.60S | 4.95 | 5/50S |
| RG-59B/U | 75 | single core | 0.58 | 3.71 | 4.85S | 6.15 | 6/75S |
| RG-140/U | 75 | single core | 0.64 | 3.71 | 4.47S | 5.92 | 6/75S |
| RG-141A/U | 50 | single core | 0.99 | 2.95 | 3.71S | 4.83 | 5/75S |
| RG-142B/U | 50 | single core | 0.99 | 2.95 | 4.34D | 4.95 | 5/50D |
| RG-144/U | 75 | 7X0.45 | 1.35 | 7.25 | 8.38S | 10.40 | 7/75S |
| RG-165/U | 50 | 7X0.8 | 2.40 | 7.25 | 8.64S | 10.40 | 7/50S |
| RG-174/U | 50 | 7X0.16 | 0.48 | 1.52 | 2.24S | 2.54 | 2.5/50S |
| RG-178/U | 50 | 7X0.1 | 0.30 | 0.91 | 1.37S | 2.01 | 2/50S |
| RG-179B/U | 75 | 7X0.1 | 0.30 | 1.60 | 2.13S | 2.54 | 2.5/75S |
| RG-187/U | 75 | 7X0.1 | 0.30 | 1.52 | 2.13S | 2.79 | 2.5/75S |
| RG-188/U | 50 | 7X0.18 | 0.51 | 1.52 | 2.06S | 2.79 | 2.5/50S |
| RG-196/U | 50 | 7X0.1 | 0.30 | 0.86 | 1.37S | 2.03 | 2/50S |
| RG-212/U | 50 | single core | 1.44 | 4.70 | 6.30D | 8.43 | 8/50D |
| RG-213/U | 50 | 7X0.75 | 2.26 | 7.25 | 8.64S | 10.29 | 7/50S |
| RG-214/U | 50 | 7X0.75 | 2.26 | 7.25 | 9.14D | 10.80 | 7/50D |
| RG-215/U | 50 | 7X0.75 | 2.26 | 7.25 | 8.64S | 12.07* | 7/50S |
| RG-216/U | 75 | 7X0.40 | 1.20 | 7.25 | 9.14D | 10.90 | 7/75D |
| RG-222/U | 50 | single core | 1.41 | 4.70 | 6.30D | 8.43 | 8/50D |
| RG-223/U | 50 | single core | 0.89 | 2.95 | 4.47D | 5.49 | 5/50D |
| RG-225/U | 50 | 7X0.79 | 2.38 | 7.24 | 9.14D | 10.92 | 7/50D |
| RG-303/U | 50 | single core | 0.99 | 2.95 | 3.71S | 4.32 | 5/50S |
| RG-316/U | 50 | 7X0.17 | 0.51 | 1.52 | 2.06S | 2.59 | 2.5/50S |
| RG-316DT | 50 | 7X0.17 | 0.51 | 1.60 | 2.22D | 2.80 | 2.5/50D |
| RG-400/U | 50 | 19X0.18 | 0.99 | 2.95 | 4.34D | 4.95 | 5/50D |
| RG-401/U | 50 | single core | 1.64 | 5.46 | | 6.35 | .250 |
| RG-402/U | 50 | single core | 0.91 | 3.02 | | 3.58 | .141 |
| RG-405/U | 50 | single core | 0.51 | 1.68 | | 2.18 | .086 |
| FLEXIBLE AND SEMI-RIGID CABLES(SJ1132-77,SJ498-83) | | | | | | | |
| SYV-50-1 | 50 | 7X0.1 | 0.27 | 0.8±0.05 | 1.40S | 1.9±0.10 | 2/50S |
| SYV-50-2-1 | 50 | 7X0.16 | 0.45 | 1.5±0.10 | 2.10S | 2.9±0.10 | 3/50S |
| SYV-50-2-2 | 50 | 7X0.18 | 0.68 | 2.2±0.10 | 3.10S | 4.0±0.20 | 4/50S |
| SYV-50-3 | 50 | single core | 0.90 | 3.0±0.15 | 3.85S | 5.0±0.25 | 5/50S |
| SYV-50-5-1 | 50 | single core | 1.37 | 4.6±0.20 | 5.50S | 7.0±0.30 | 8/50S |
| SYV-50-5-2 | 50 | single core | 1.37 | 4.6±2.20 | 6.20D | 7.8±0.30 | 8/50D |
| SYV-50-7-1 | 50 | 7X0.75 | 2.28 | 7.3±0.25 | 8.50S | 10.2±0.30 | 7/50S |
| SYV-50-7-2 | 50 | 7.075 | 2.28 | 7.3±0.25 | 9.30D | 11.2±0.30 | 7/50D |
| SYV-75-2 | 75 | 7X0.08 | 0.24 | 1.5±0.10 | 2.10S | 2.9±0.10 | 3/75S |

| DIMENSIONS OF APPLICABLE CABLES | | | | | | | |
|---|-----------|--------------|-----------|------------|------------|-----------|-------------|
| | | S:1 braid | D: 2braid | *:Armoured | | | |
| CABLE TYPE | IMP. Ω | DIAMETER(MM) | | | | | CABLE GROUP |
| | | CORE | | DIELECTRIC | MAX SCREEN | JACKET | |
| | | Composition | Nom.Dia | | | | |
| FLEXIBLE AND SEMI-RIGID CABLES(SJTT32-77,SJ498-83) | | | | | | | |
| SYV-75-2-1 | 75 | 7X0.11 | 0.32 | 2.0 | | 4.0 | 4/75S |
| SYV-75-3 | 75 | 7X0.17 | 0.51 | 2.95±0.10 | 3.85S | 5.0±0.25 | 5/75S |
| SYV-75-5 | 75 | single core | 0.75 | 4.6±0.20 | 5.50S | 7.1±0.30 | 8/75S |
| SYV-75-7 | 75 | 7X0.4 | 1.20 | 7.25±0.25 | 8.50S | 10.2±0.30 | 7/75S |
| SFF-50-1 | 50 | 7X0.10 | 0.30 | 0.87±0.10 | 1.45S | 1.8±0.15 | 2/75S |
| SFF-50-1.5-1 | 50 | 7X0.18 | 0.54 | 1.5±0.10 | 2.10S | 2.55±0.15 | 2.5/50S |
| SFF-50-1.5-2 | 50 | 7X0.18 | 0.54 | 1.5 | 2.70D | 3.20 | 3/50D |
| SFF-50-2-1 | 50 | single core | 0.73 | 2.2 | | 3.3±0.20 | 4/50S |
| SFF-50-2-2 | 50 | single core | 0.73 | 2.2 | | 4.0 | 4/50D |
| SFF-50-3-1 | 50 | single core | 0.93 | 3.0 | | 4.5±0.25 | 5/50S |
| SFF-50-3-2 | 50 | single core | 0.93 | 3.0 | | 5.5 | 5/50D |
| SFF-75-1 | 75 | single core | 0.17 | 0.87 | | 1.80 | 2/75S |
| SFF-75-1.5-1 | 75 | 7X0.10 | 0.30 | 1.5 | | 2.55 | 2.5/75S |
| SFF-75-1.5-2 | 75 | 7X0.10 | 0.30 | 1.5 | | 3.2 | 2/75D |
| SFF-75-2 | 75 | single core | 0.41 | 2.2 | | 3.2 | 3/75S |
| SFF-75-3-1 | 75 | single core | 0.55 | 3.0 | | 4.5 | 5/75S |
| SFF-75-3-2 | 75 | single core | 0.55 | 3.0 | | 5.5 | 5/75D |
| SFT-50-2-1 | 50 | single core | 0.51 | 1.67 | | 2.18 | .086 |
| SFT-50-3-1 | 50 | single core | 0.93 | 3.0 | | 3.58 | .141 |
| SFT-50-5.2 | 50 | single core | 1.60 | 5.20 | | 6.0 | .250 |
| LMR CABLES(TIMES MICROWAVE SYSTEMS) | | | | | | | |
| RD-178 | 50 | 7X0.10 | 0.30 | 0.86 | 1.68D | 2.34 | 2/50D |
| RD-179 | 75 | 7X0.10 | 0.30 | 1.60 | 2.69D | 3.07 | 2.6/75D |
| RD-302 | 75 | single core | 0.64 | 3.71 | | 5.64 | 5/75D |
| RD-316 | 50 | 7X0.17 | 0.51 | 1.52 | 2.22D | 2.90 | 2.6/50D |
| LMR-100A | 50 | single core | 0.46 | 1.52 | 2.11 | 2.79 | 100/50S |
| LMR-195 | 50 | single core | 0.94 | 2.79 | 3.53 | 4.95 | 195/50S |
| LMR-200 | 50 | single core | 1.12 | 2.95 | 3.66 | 4.95 | 200/50S |
| LMR-240 | 50 | single core | 1.42 | 3.81 | 4.52 | 6.10 | 240/50S |
| LMR-300 | 50 | single core | 1.78 | 4.83 | 5.72 | 7.62 | 300/50S |
| LMR-400 | 50 | single core | 2.74 | 7.24 | 8.13 | 10.29 | 400/50S |
| CORRUGATED CABLES 50Ω(MANUFACTURER) | | | | | | | |
| SYFY-50-9-3 | | | 3.1 | 8.7 | 9.5 | 11.2 | 3/8" |
| SYFY-50-12-3 | | | 4.9 | 12.0 | 14.0 | 16.5 | 1/2" |
| SYFY-50-9-3 | | | 9.1 | 22.0 | 25.0 | 28.5 | 7/8" |
| LDF1-50(HELIX ANDREW) | | | 2.6 | | 7.7 | 8.8 | 1/4" |
| LDF2-50(HELIX ANDREW) | | | 3.1 | | 9.7 | 11.2 | 3/8" |
| LDF4-50A(HELIX ANDREW) | | | 4.6 | | 14.0 | 15.9 | 1/2" |
| LDF5-50A(HELIX ANDREW) | | | 9.0 | 23.0 | 24.9 | 28.0 | 7/8" |
| SUCOFEEED1/2" (HUBER SUHNER) | | | 4.8 | 11.9 | 13.7 | 16.0 | 1/2" |
| SUCOFEEED7/8" (HUBER SUHNER) | | | 9.0 | 22.0 | 24.7 | 27.75 | 7/8" |
| CORRUGATED CABLES 50Ω(MANUFACTURER) | | | | | | | |
| SDY-50-7-3 | | | 2.83 | | 10.2 | 10.2 | 3/8" |
| SDY-50-9-3 | | | 3.5 | | 12.4 | 12.4 | |
| FSJ1-50A(HELIX ANDREW) | | | 1.9 | 4.7 | 7.4 | 7.4 | 1/4" |
| FSJ2-50(HELIX ANDREW) | | | 2.8 | 7.0 | 10.5 | 10.5 | 3/8" |
| FSJ4-50B(HELIX ANDREW) | | | 3.6 | 8.7 | 13.2 | 13.2 | 1/2" |
| SUCOFEEED1/4" HF-FR(HUBER SUHNER) | | | 1.89 | 4.7 | 7.7 | 7.7 | 1/4" |
| SUCOFEEED3/8" HF-FR(HUBER SUHNER) | | | 2.8 | 7.0 | 10.8 | 10.8 | 3/8" |
| SUCOFEEED1/2" HF-FB(HUBER SUHNER) | | | 3.6 | 8.6 | 13.4 | 13.4 | 1/2" |