

2.4mm



2.4mm series connectors are 50 ohm precision connectors, which are designed with excellent characteristics over the full frequency range up to 50GHz. This type connectors are mechanically compatible with 1,85mm series connectors.

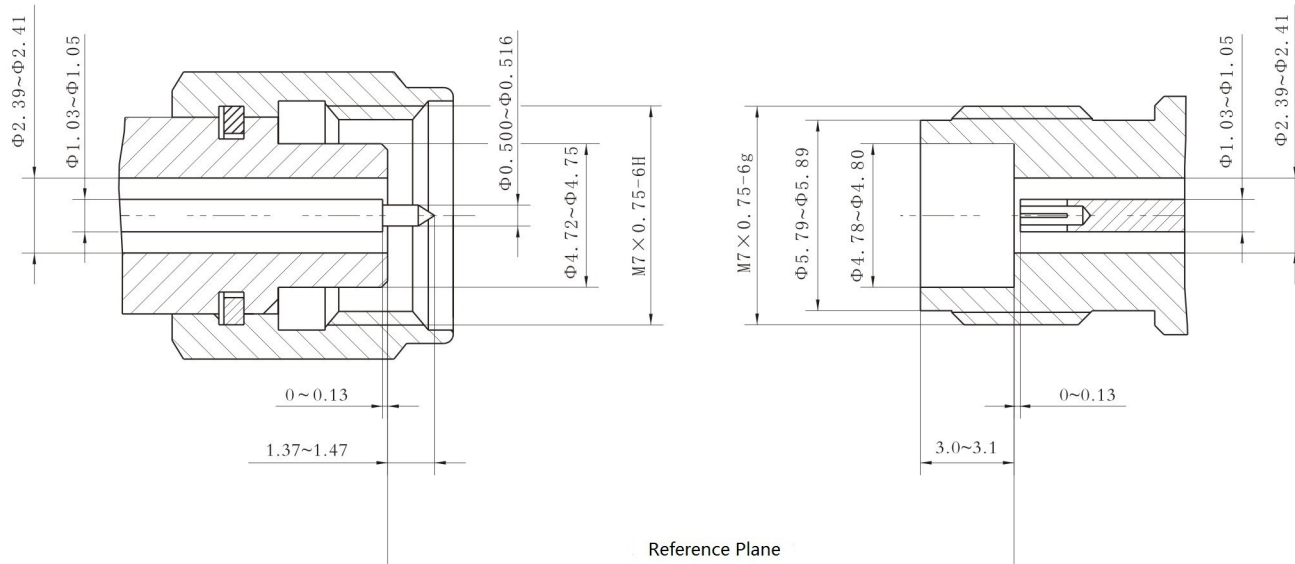
Specification

Electrical Specification	Impedance	50 Ω	Materials & Mechanical Specification	Inner Conductor	Male	Brass/Gold Plating	
	Frequency Range	DC ~ 50GHz			Female	Beryllium Bronze/Gold plating	
	Working Voltage	250VRMS*		Spring Washer	Beryllium Bronze/Gold plating		
	Dielectric Withstanding Voltage	750VRMS*		Body & Other Metal Parts	Brass/Gold Plating or Stainless Steel/Passivated		
	VSWR	$\leq 1.05+0.01f$		Insulator	PEI		
	Contact Resistance	Inner Conductor		$\leq 3 \text{ m}\Omega$	O-Ring	Silicon Rubber	
		Outer Conductor		$\leq 2 \text{ m}\Omega$			
	Insulation Resistance	$\geq 5000 \text{ M}\Omega$		Operating Temperature	$-55^{\circ}\text{C} \sim +125^{\circ}\text{C}$		
			Durability	500 Times			

* Max. value at sea level

Note: Materials and plating will be changed according to customer's request.

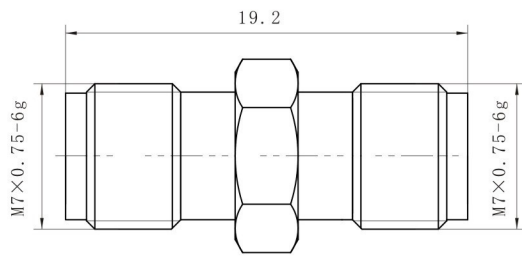
Interface Dimensions



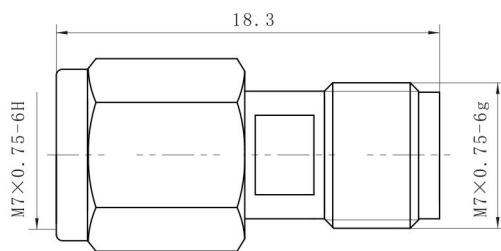
2.4mm

2.4mm

In Series Adaptors



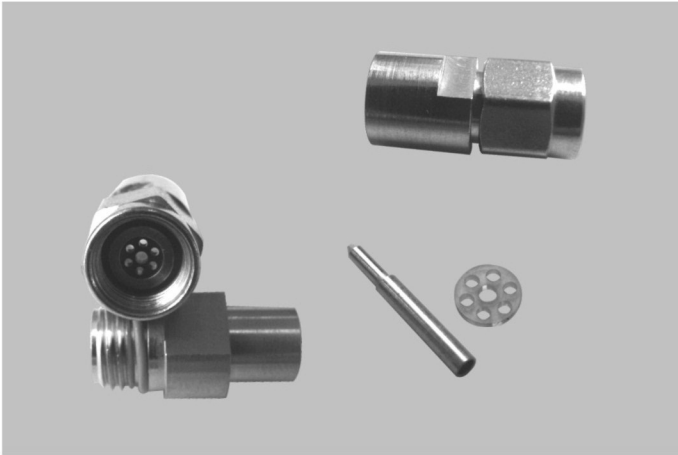
P/N	Note
380D-F022-01	Body:Stainless Steel/Passivated



P/N	Note
380D-F012-01	Body:Stainless Steel/Passivated

2.4mm

2.92mm



2.92mm series connectors are 50 ohms precision connectors, which are designed with excellent characteristics over the full frequency range up to 40GHz. This type connectors are mechanically compatible with SMA series connectors.

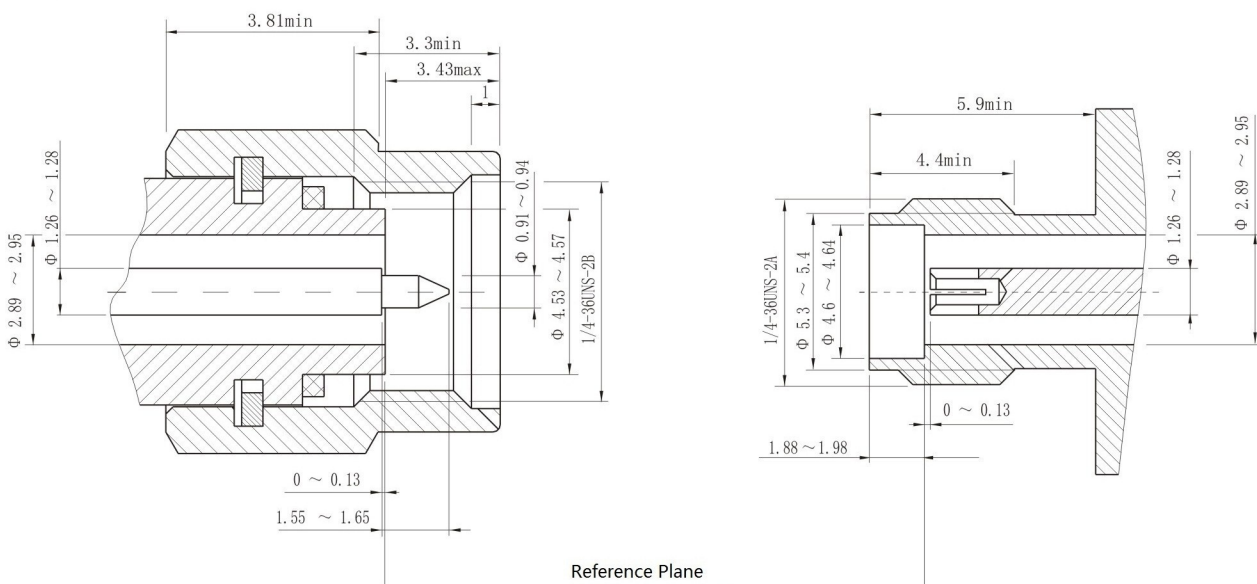
Specification

Electrical Specification	Impedance	50 Ω	Materials & Mechanical Specification	Inner Conductor	Male	Brass/Gold Plating
	Frequency Range	DC ~ 40GHz			Female	Beryllium Bronze/Gold plating
	Working Voltage	250VRMS*		Spring Washer	Beryllium Bronze/Gold Plating	
	Dielectric Withstanding Voltage	750VRMS*		Body & Other Metal Parts	Brass/Gold Plating or Stainless Steel/Passivated	
	VSWR	$\leq 1.05 + 0.01f$		Insulator	PEI	
	Contact Resistance	Inner Conductor $\leq 3 \text{ m}\Omega$ Outer Conductor $\leq 2 \text{ m}\Omega$		O-Ring	Silicon Rubber	
	Insulation Resistance	$\geq 5000 \text{ M}\Omega$		Operating Temperature	-55°C ~ +125°C	
		Durability	500 Times			

* Max. value at sea level

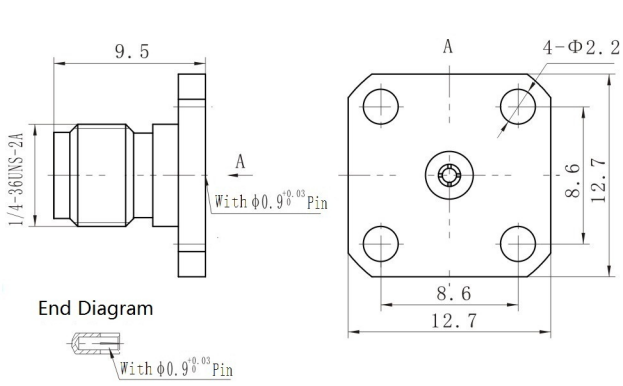
Note: Materials and plating will be changed according to customer's request.

Interface Dimensions



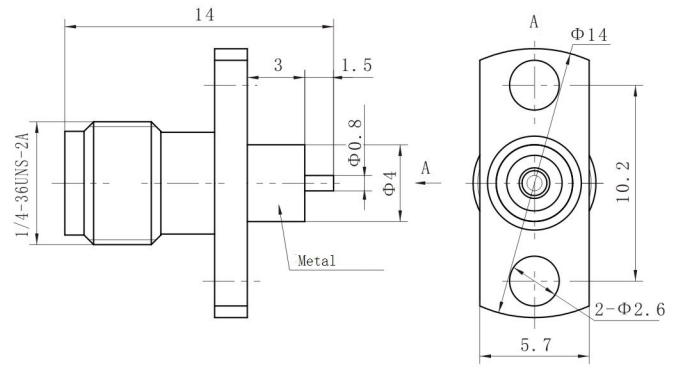
2.92 mm

2.92mm

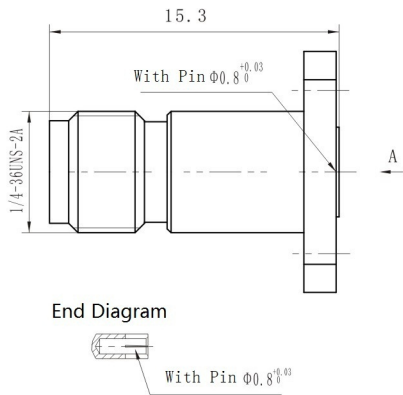


End Diagram

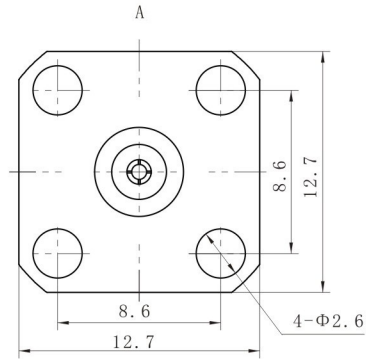
P/N	Note
362A-0341	With Pin $\Phi 0.9^{+0.03}_0$



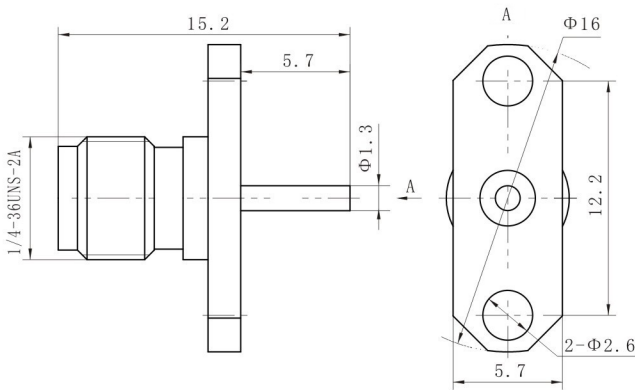
P/N	Note
362A-0323	



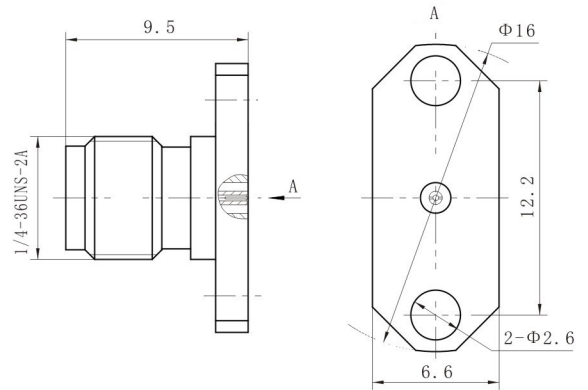
End Diagram



P/N	Note
362A-0346	With Pin $\Phi 0.8^{+0.03}_0$

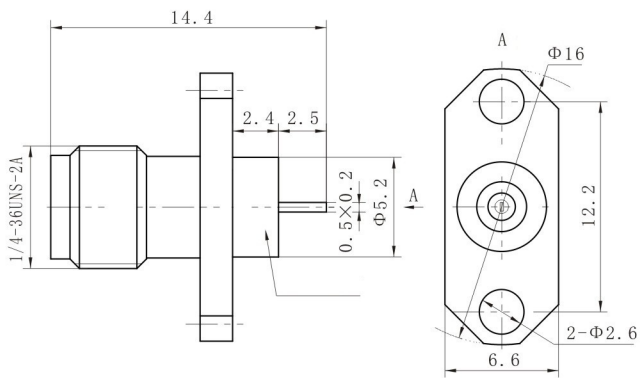


P/N	Note
362A-0324	

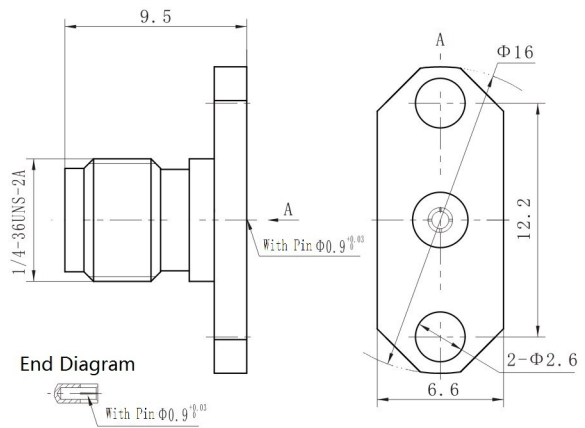


P/N	Note
362A-0325	With Pin $\Phi 0.3^{+0.02}_0$

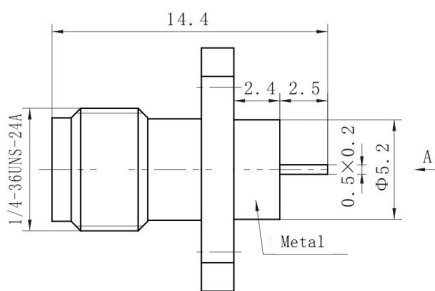
2.92mm



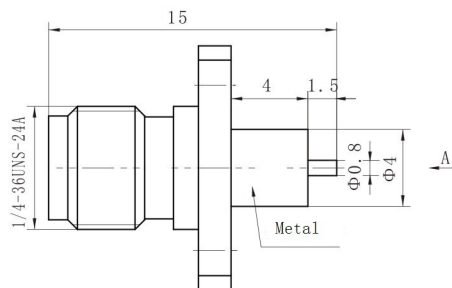
P/N	Note
362A-0327	



P/N	Note
362A-0328	With Pin $\Phi 0.9^{0.03}$

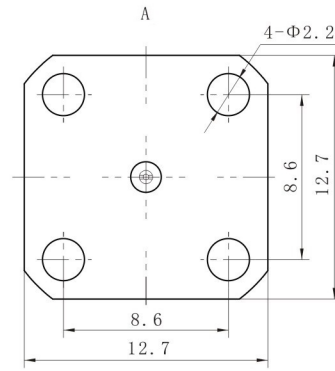
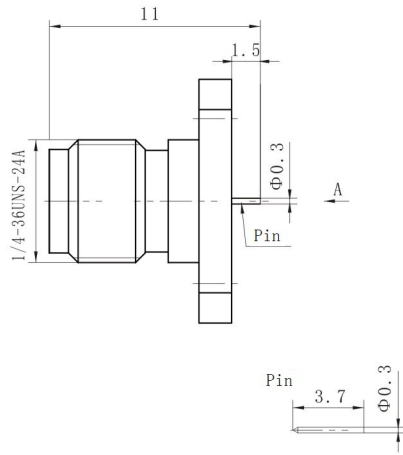


P/N	Note
362A-03412	

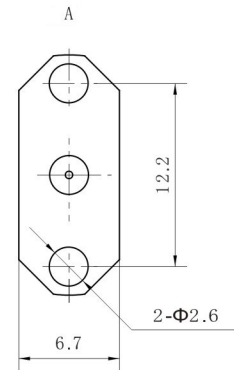
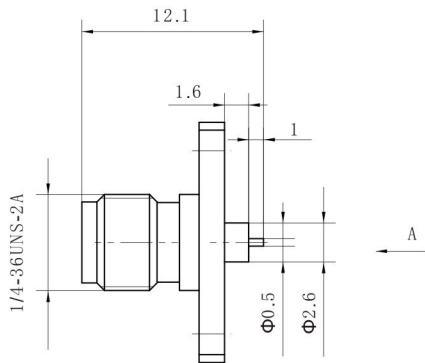


P/N	Note
362D-03413	Body:Stainless Steel/Passivated

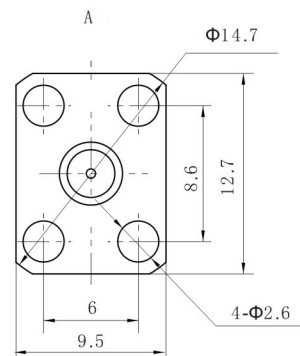
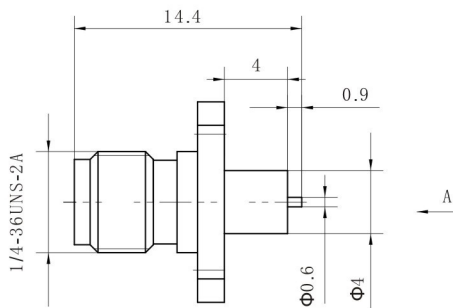
2.92mm



P/N	Note
362D-03414	

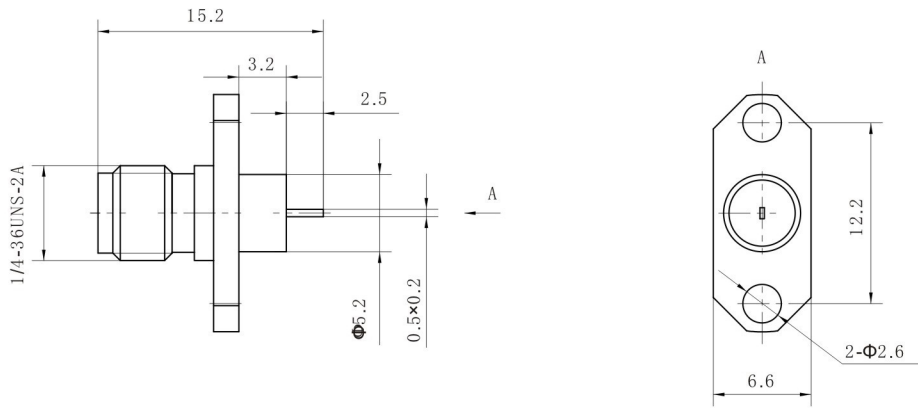


P/N	Note
362D-03215	

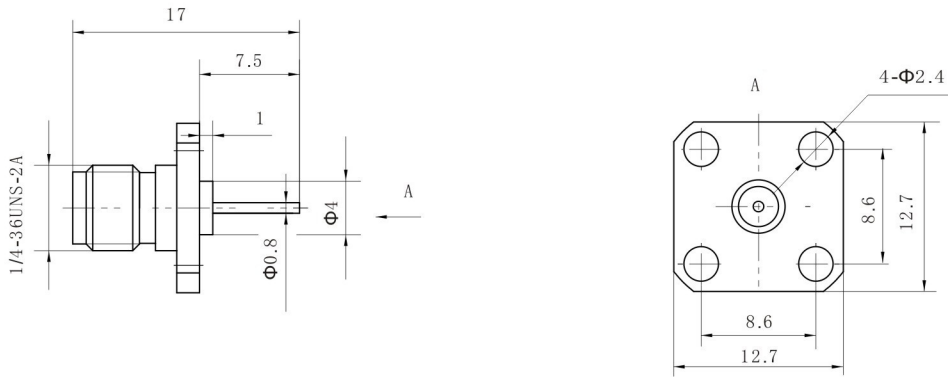


P/N	Note
362D-03420	

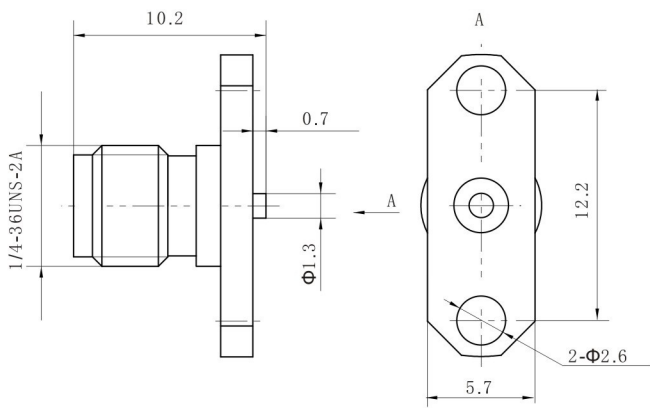
2.92mm



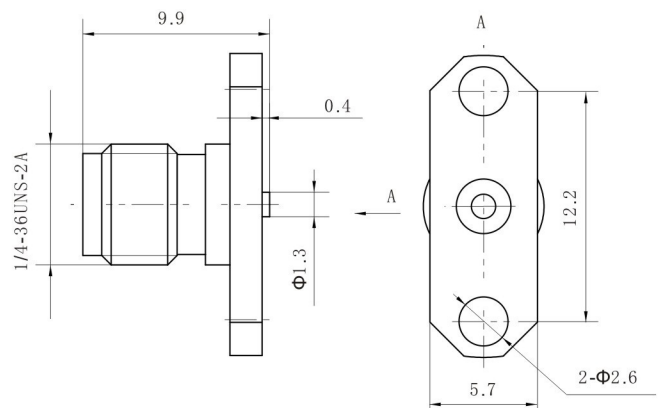
P/N	Note
362A-03221	



P/N	Note
362D-03422	



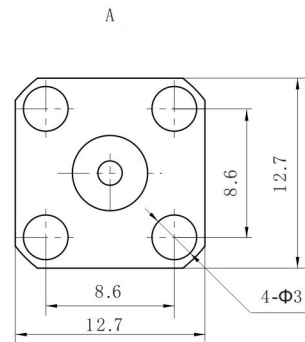
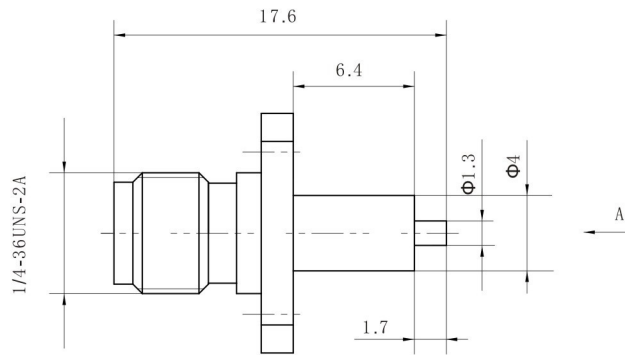
P/N	Note
362A-03223	



P/N	Note
362A-03224	

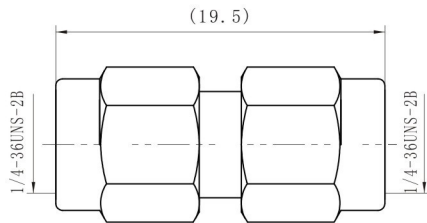
2.92 mm

2.92mm

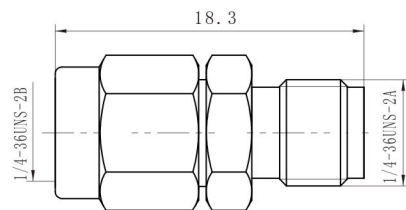


P/N	Note
362D-03425	

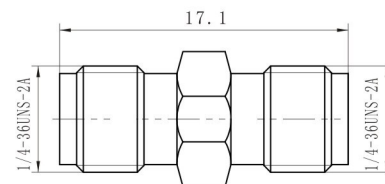
In Series Adaptors



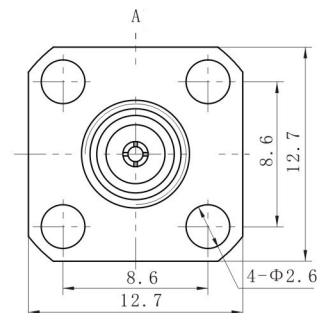
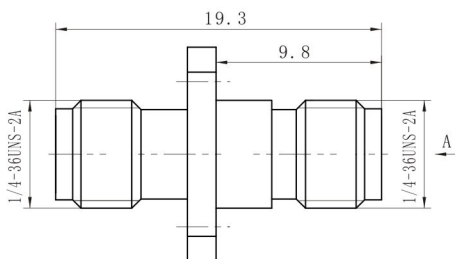
P/N	Note
360D-F011-01	Body:Stainless Steel/Passivated



P/N	Note
360D-F012-01	Body:Stainless Steel/Passivated

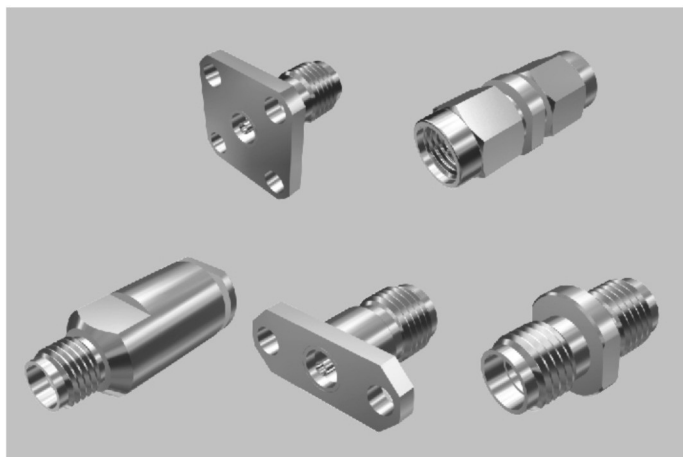


P/N	Note
360D-F022-01	Body:Stainless Steel/Passivated



P/N	Note
360D-0422-01	Body:Stainless Steel/Passivated

3.5mm



3.5mm series connectors are 50 ohm precision connectors, which are designed with excellent characteristics over the full frequency range up to 33GHz. This type connectors are mechanical compatible with SMA series connectors.

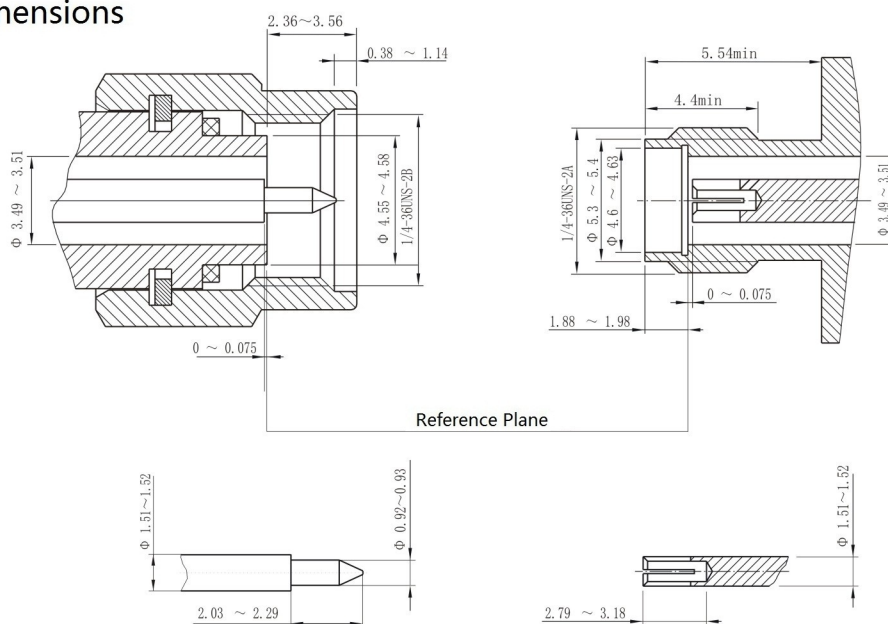
Specification

Electrical Specification	Impedance	50 Ω	Materials & Mechanical Specification	Inner Conductor	Male	Brass/Gold Plating	
	Frequency Range	DC ~ 33GHz			Female	Beryllium Bronze/Gold plating	
	Working Voltage	335VRMS*		Spring Washer	Beryllium Bronze/Gold plating		
	Dielectric Withstanding Voltage	1000VRMS*		Body & Other Metal Parts	Brass/Gold Plating or Stainless Steel/Passivated		
	VSWR	≤ 1.05+0.01f		Insulator	PEI		
	Contact Resistance	Inner Conductor		≤ 3 mΩ	O-Ring	Silicon Rubber	
		Outer Conductor		≤ 2 mΩ			
	Insulation Resistance	≥ 5000 MΩ		Operating Temperature	-55°C ~ +125°C		
			Durability	500 Times			

* Max. value at sea level

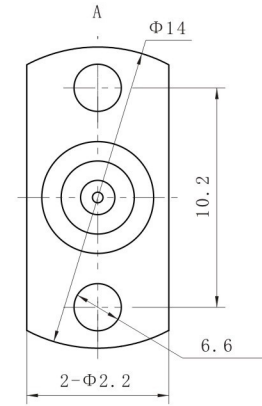
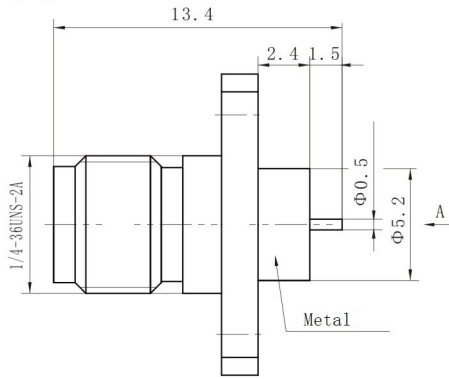
Note: Materials and plating will be changed according to customer's request.

Interface Dimensions

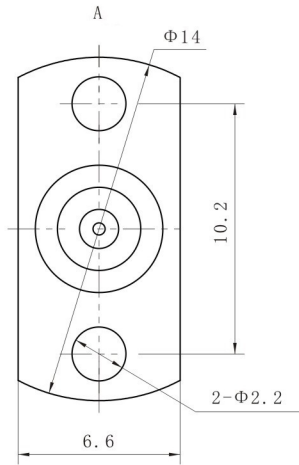
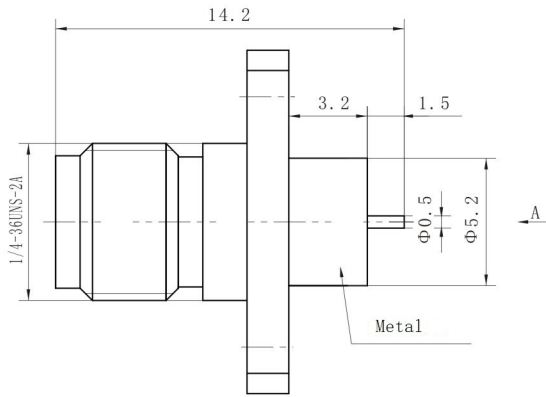


3.5mm

3.5mm

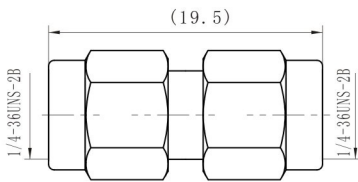


P/N	Note
392A-0323	

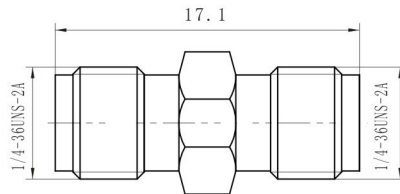


P/N	Note
392A-0325	

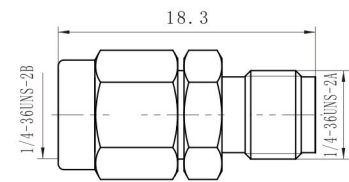
In Series Adaptors



P/N	Note
390D-F011-01	Body:Stainless Steel



P/N	Note
390D-F022-01	Body:Stainless Steel

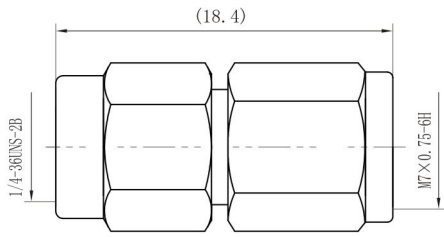


P/N	Note
290D-F012-01	Body:Stainless Steel

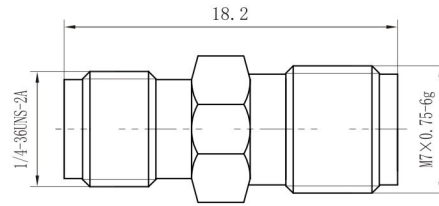
3.5mm

Millimeter Wave Adaptors
Between-Series Adaptors

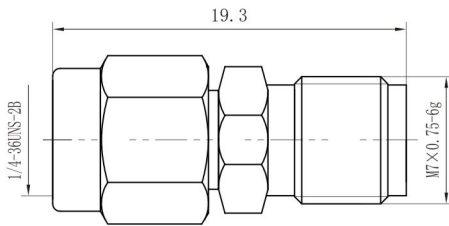
3.5mm/2.4mm Adaptor



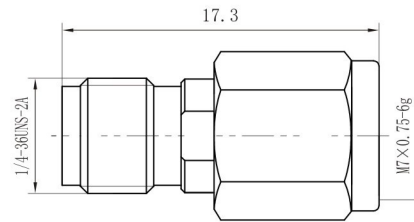
P/N	VSWR	Note
380D/390D-1101	≤ 1.3	Body: Stainless Steel



P/N	VSWR	Note
380D/390D-2201	≤ 1.3	Body: Stainless Steel

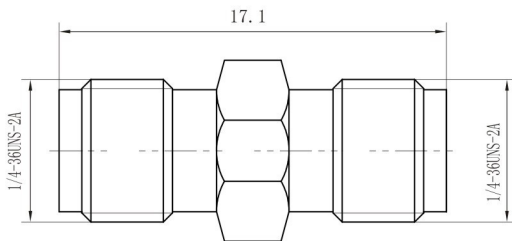


P/N	VSWR	Note
380D/390D-2101	≤ 1.3	Body: Stainless Steel



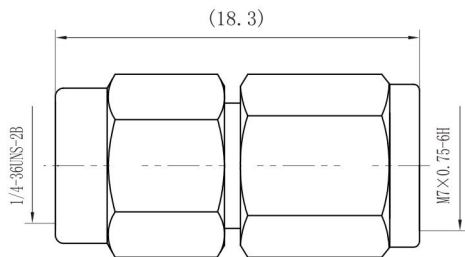
P/N	VSWR	Note
380D/390D-1201	≤ 1.3	Body: Stainless Steel

3.5mm/2.92mm Adaptor

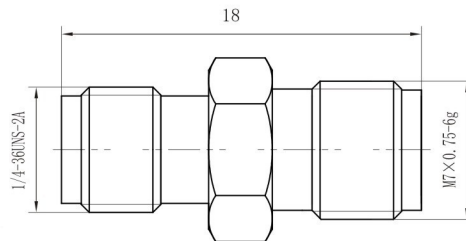


P/N	VSWR	Note
360D/390D-2201	≤ 1.3	Body: Stainless Steel

2.92mm/2.4mm Adaptor



P/N	VSWR	Note
360D/380D-1101	≤ 1.3	Body: Stainless Steel



P/N	VSWR	Note
360D/380D-2201	≤ 1.3	Body: Stainless Steel