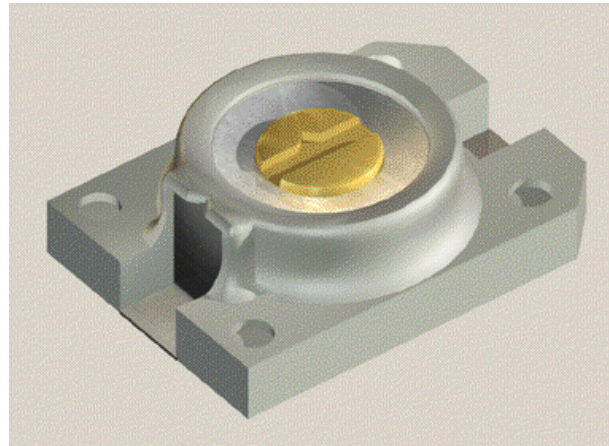


Chip Trim Ceramic Trimmer Capacitors AT 0300 ROHS & AT 1300 ROHS

SURFACE MOUNT TRIMMER CAPACITORS, ROHS COMPLIANT

DESCRIPTION

Very compact package type
Ceramic dielectric
Special design for reflow soldering use
Rated voltage 100 VDC
Low temperature coefficient
Low capacitance drift
Very stable over time
Terminals are **pure tin plated**
ROHS compliant
High resonance frequency and very good Q
Special design for easy vacuum pickup
Delivered on 12 mm tape and reel
Maximum Soldering Temperature 265°C, 3 s Max



APPLICATIONS

Mobile and Radio communications equipments :
Filters, Oscillators
TCXO, VCO
Control remote
Security systems
Low power amplifiers

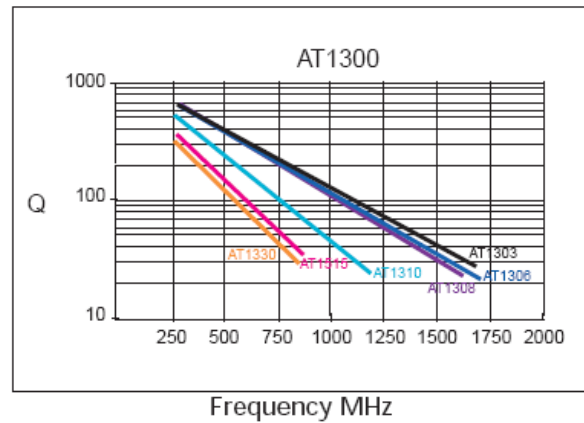
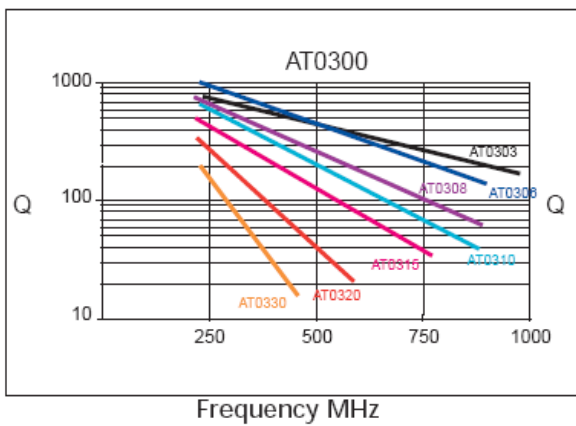
I. ELECTRICAL SPECIFICATIONS

P/N	AT 0303	AT 0306	AT 0308	AT 0310	AT 0315	AT 0320	AT 0330	AT 0340
	AT 1303	AT 1306	AT 1308	AT 1310	AT 1315	AT 1320	AT 1330	AT 1340
From below	1.5	2.0	3.0	2.0	3.0	4.5	5.5	8.0
Capacitance range (pF)								
To above +50%/-0	3.0 ₀	6.0 ₀	8.0 ₀	10.0 ₀	15.0 ₀	20.0 ₀	30.0 ₀	40.0 ₀
Working Voltage (VDC)	100							
Withstanding Voltage (VDC)	220							
Working Temp. range	-40°C to +85°C							
Temp. Coeff. (ppm/°C)	0+/-200	0+/-300	-750+/-500	0+/-300	0+/-300	0+/-500	-750+/-500	-750+/-500
Capacitance drift (pF)	0.1 Max		0.2 Max	0.3 Max	0.4 Max	0.5 Max	1.0 Max	1.2 Max
Setting drift	< 1%							
Typical Self-Resonance Frequency at CMax (GHz)								
AT 0300 series	2.0	1.4	1.2	1.1	0.9	0.8	0.6	0.4
AT 1300 series	2.3	1.6	1.4	1.2	1.0	0.9	0.7	0.5
Insulation Resistance (MΩ)	10000 min							

Chip Trim Ceramic Trimmer Capacitors AT 0300 ROHS & AT 1300 ROHS

SURFACE MOUNT TRIMMER CAPACITORS, ROHS COMPLIANT

II. QUALITY FACTOR



I.

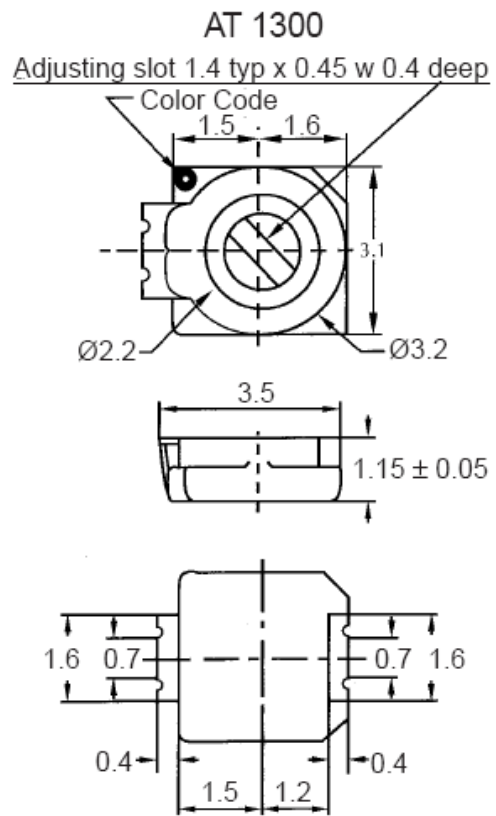
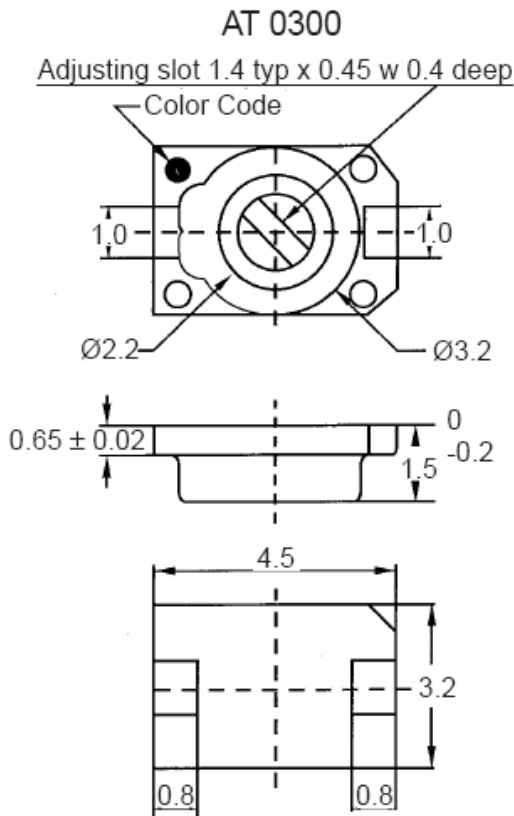
III. MECHANICAL & GENERAL SPECIFICATIONS

P/N	AT 0303	AT 0306	AT 0308	AT 0310	AT 0315	AT 0320	AT 0330	AT 0340
	AT 1303	AT 1306	AT 1308	AT 1310	AT 1315	AT 1320	AT 1330	AT 1340
Color Code	Black	Blue	Violet	White	Pink	Red	Orange	Yellow
Rotating Torque	10 to 70 g.cm							
Tensile strength of terminal	500 g							
Resistance to axial load	250 g min							

Chip Trim Ceramic Trimmer Capacitors AT 0300 ROHS & AT 1300 ROHS

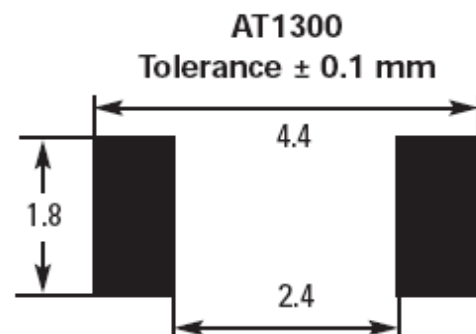
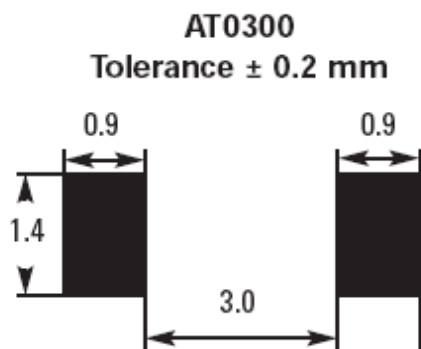
SURFACE MOUNT TRIMMER CAPACITORS, ROHS COMPLIANT

IV. OUTLINE DIMENSIONS



V. SOLDERING

Typical solder pad layout



Thickness of printed solder: 0.15 mm

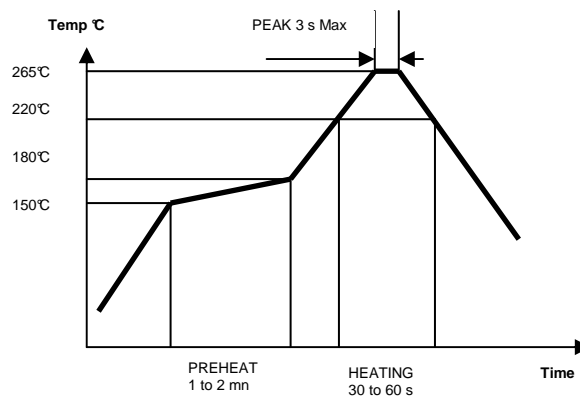
TEMEX - CERAMICS, PARC INDUSTRIEL BERSOL 1, VOIE ROMAINE, 33600 PESSAC, France
TEL +33(0)5 56 46 66 66 FAX +33(0)5 56 36 31 98 www.temex-ceramics.com

Chip Trim Ceramic Trimmer Capacitors AT 0300 ROHS & AT 1300 ROHS

SURFACE MOUNT TRIMMER CAPACITORS, ROHS COMPLIANT

Recommended reflow solder temperature profile

Maximum Soldering Temperature 265°C MAX



VI. PACKAGING

Parts are delivered :

- in bulk for quantity lower than 1 kp
- on tape and reel in 12 mm width carrier tape in quantities of 1 kp on 7 inches reel

VII. HOW TO ORDER

Parts in quantity < 1 kp

	Reference	ROHS	
Example	AT 1310	RoHS	
Parts on tape and reel :	Reference	R2	ROHS
Example	AT 0303	R2	ROHS

VIII. TUNING

Recommended Tuning Tool reference: AT 8777

When tuning, do not apply an axial force higher than 1.5 N (150 g)

VIII. STORAGE CONDITIONS

Do not store components under direct sunlight or in dewy environment, and in corrosive condition. Before use, store components under condition of -10°C to +40°C and humidity of 75% RH Max. It is recommended to use components within 6 months after delivery